

### CU AromaFlo

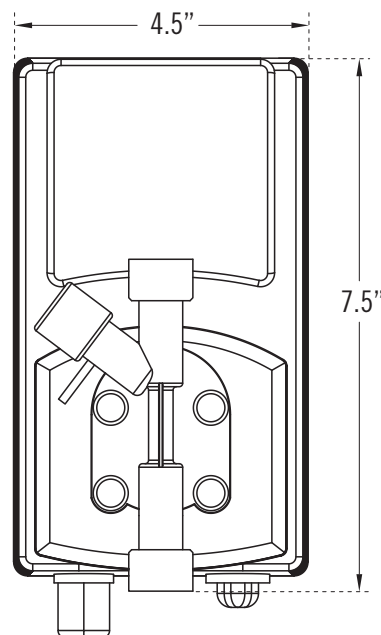
**BOX CONTENTS:**

- Metering Pump
- 6 ft Pressure Hose
- 2 ft Suction Hose with Filter
- 1/2 inch NPT Atomizing Nozzle
- Injector with Injection Line
- Receptacle and Faceplate
- Warning Sign
- Installation & Operation Manual

- Electronic oil delivery system works in conjunction with the Digital 1 Control to evenly infuse scent into the steam
- Complete with hoses, fittings and oil atomizer
- AromaSteam System oils available in one gallon bottles.
- The AromaSteam is rated 0.5 Amps at 120 VAC
- cULus Listed

Mr. Steam offers special formulated & packaged oils for use with the AromaFlo in the following fragrances:

- CU Eucalyptus
- CU Lavender



Dimensions:	7.5"W x 4.5"H x 4.5"D
Weight:	5 pounds
Motor voltage	120 VAC, 50/60 Hz
Current Draw	0.5 Amps

**! WARNING** Not for use in acrylic or fiberglass rooms.

**FOR ILLUSTRATIVE PURPOSES ONLY. IMPORTANT NOTE: FOR SAFE AND TROUBLE FREE INSTALLATION** visit [mrsteam.com](http://mrsteam.com) before installation to download the Installation, Operation and Maintenance Manual or refer to the manual provided with the unit.

MODEL	PROJECT INFORMATION	
CU AromaFlo	Location:	Contractor:
	Architect:	Submitted By:
	Engineer:	Date:
Notes:		