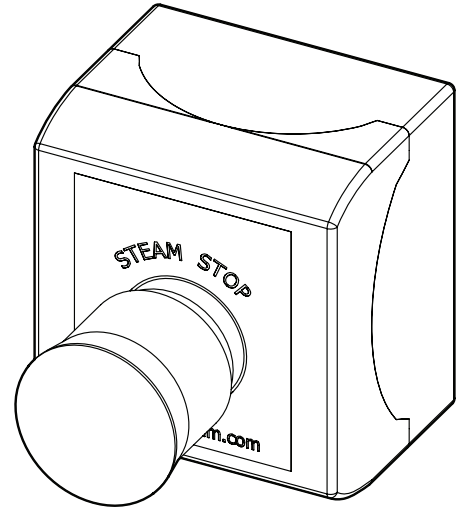


## CU Steam Stop™

The CU Steamstop is an emergency stop switch to electronically shut down the steam generator. Multiple stop switches can be used with one generator.

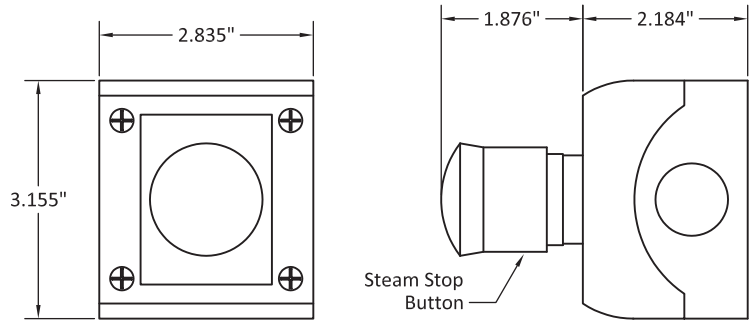
- Water resistant IP-69K rating suitable for use inside or outside the steam room
- Used to turn off steam solenoid(s)
- Installation must conform to National and local electrical codes
- Accepts 1/4" & 1/2" NPT; M16 & M20; and PG 13.5 & PG 16 conduit and fittings



### LOCATION AND INSTALLATION

The CU-STEAMSTOP shall be positioned for easy access by the attendant or user.

**⚠ WARNING ELECTRIC SHOCK HAZARD.** Disconnect all power supplies at the main disconnect switch before proceeding with wiring of the CU-STEAMSTOP. All electrical wiring must be installed by a qualified, licensed electrician in accordance with National and local codes.



### OPERATION AND USAGE

Pressing the CU-STEAMSTOP button will stop the flow of steam into the steam room and shut down boiler.

**NOTE:** When used with a Digital 1 Control, the Digital 1 internal alarm (or CU-ALARM if equipped) will sound if the CU-STEAMSTOP is pressed.

**⚠ CAUTION** Steam will flow from the steamhead as soon as the CU-STEAMSTOP is reset.

Hole Marking	Fitting	Drill Size
M16	1/4" NPT	35/64"
	M16	41/64"
M20 (PG 13.5)	M20	51/64"
	PG 13.5	53/64"
	1/2" NPT	27/32"
PG 16	1/2" NPT	27/32"
	PG 16	29/32"

**FOR ILLUSTRATIVE PURPOSES ONLY. IMPORTANT NOTE: FOR SAFE AND TROUBLE FREE INSTALLATION** visit [mrsteam.com](http://mrsteam.com) or scan the QR code before installation to download the Installation, Operation and Maintenance Manual or refer to the manual provided with the unit.



MODEL	PROJECT INFORMATION	
CU SteamStop	Location:	Contractor:
	Architect:	Submitted By:
	Engineer:	Date:
Notes:		