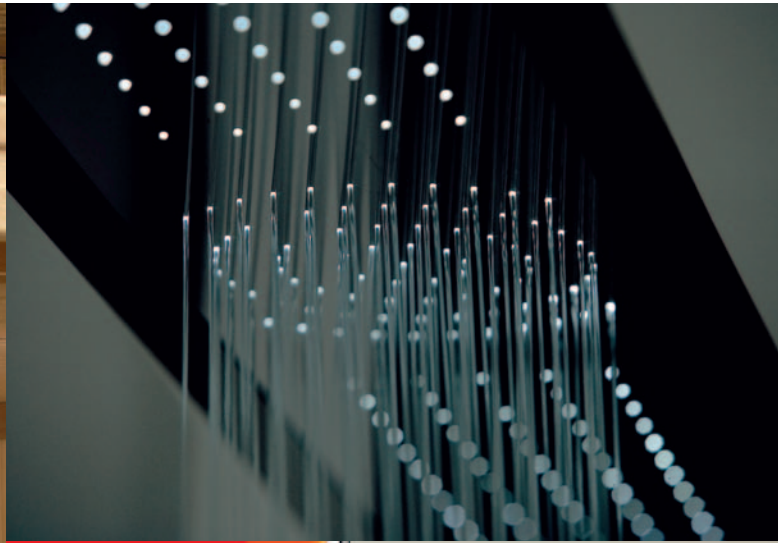


TYLÖ®



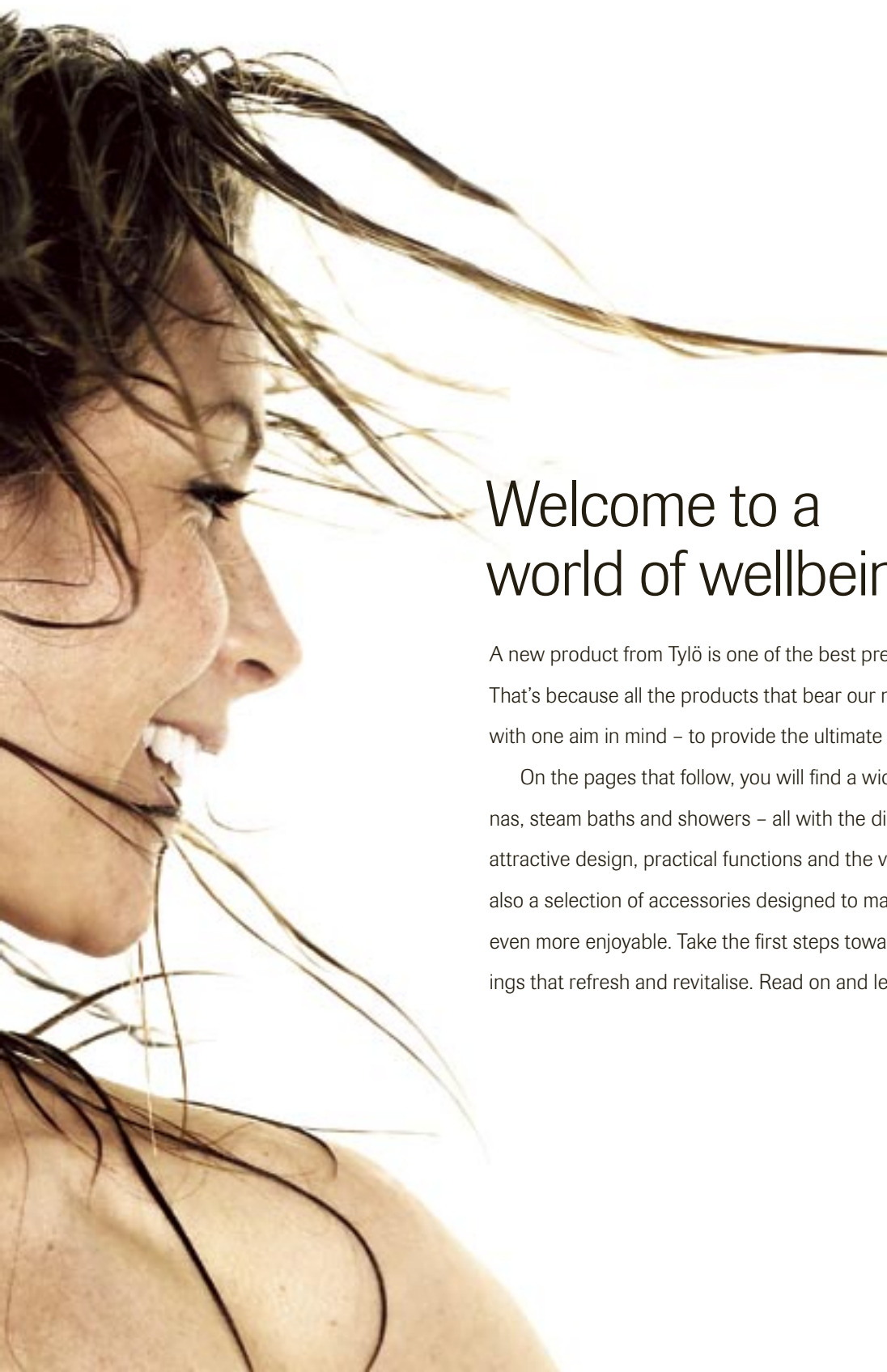
S A U N A S

S H O W E R S

S T E A M B A T H S

The 2nd Tylö Book





Welcome to a world of wellbeing.

A new product from Tylö is one of the best presents you can give yourself. That's because all the products that bear our name have been developed with one aim in mind – to provide the ultimate in wellbeing for body and soul.

On the pages that follow, you will find a wide range of products for saunas, steam baths and showers – all with the distinctive Tylö hallmarks of attractive design, practical functions and the very highest quality. There is also a selection of accessories designed to make every bathing experience even more enjoyable. Take the first steps towards true relaxation in surroundings that refresh and revitalise. Read on and let yourself be inspired ...

Contents.



Saunas.

Warmth and water	6
Quality and the environment	8
Different forms of bathing	10

Prefabricated sauna rooms

Introduction	12
We build – you reap the benefits	14
Classic sauna rooms	16
Grand Luxe sauna rooms	20
Alu Line sauna rooms	24
Round Vision sauna rooms	28
Space Vision sauna rooms	30
Midi Vision sauna rooms	34
Vital Vision sauna rooms	38

Infrared heat	40
Infra Multi-sauna	42
Layouts	44

Other sauna room products

Glazed sections	46
Sauna doors	48
Interior fittings	52

Sauna heaters for home saunas

Classic Tylö heaters	54
Tylö Mega heaters	60

Sauna heaters for public facilities

Classic Tylö heaters	62
Tylö Mega heaters	64

Other sauna rooms

Steam saunas at home	68
Steam saunas in public facilities	70
Wood-fired sauna stoves	72

Sauna accessories

Introduction	74
Accessory series	76
Heater guards & sauna stones	79
Lighting	80
Other accessories	82

Hints on sauna building	122
Keeping your sauna fresh	124



Showers.

Introduction	84
Showers that know no limits	86
Tylö Felicity Basic	88
Tylö Felicity Midi	90
Tylö Felicity Premium	92
Tylette Centre hydro-steam cabinet	98
Tylö corner showers	100

Steam baths.

Introduction	104
Tylö prefabricated steam rooms	106
Tylö Elysée	108
Tylö Excellent	110
Layouts	112
Tylö steam generators	114
Steam bath accessories	116
Doors	118
Tylö Special	120
Planning a steam room	125
About Tylö	126



Warmth and water.

Warmth and water are the basis for all life – and for all that we do here at Tylö. Since the early 1950s we have been developing, manufacturing and marketing high quality products that have helped raise bathing to the art of relaxation and enjoyment.

Today Tylö leads the way worldwide in creating inspiring environments for saunas, showers and steam bathing, both at home and in public facilities. We lead the field in terms of the breadth of our range, the quality and design of our products and the degree of technical innovation. And, to ensure that we can always be 100% certain of supplying the high quality that our customers have learned to expect of Tylö, we manufacture the components and assemble the equipment in our own purpose-built premises.

That's why a Tylö product is always the safest of choices when you want to enjoy the pleasures of warmth and water – or a combination of both – to the full.









Quality and the environment.

When you choose a product from Tylö, high quality comes as standard. Our quality-mindedness is reflected in all aspects of our operations, from design and product development to the choice of materials, manufacturing processes, service and support.

Quality is also evident in our commitment to the environment. Clean water as a source of health and pleasure forms the basis for all our shower products, for instance. That's why we take our responsibility to the environment seriously. Our manufacturing processes are completely clean. There are no harmful emissions from any stage of the production process. The timber we use comes from responsibly managed forests in Scandinavia, the Baltic states and North America. None of our timber is taken from the world's precious rain forests. All plastic components are manufactured from environmentally certified raw materials. And, last but not least, we make optimum use of the resources we consume. Timber waste is used for heating, plastic waste is ground into granules and every scrap of metal is recycled.

Concern for the environment is more than just a priority with us. It is yet another opportunity to demonstrate our commitment to quality – not least, the quality of life. Today and tomorrow.

Different humidity. Different temperatures. Different pleasures.

There are many ways to enjoy a bath, each one equally refreshing in its own particular way. When it comes to bathing with Tylö, the common denominators are relaxation and a sense of wellbeing for body and soul – either alone or in the company of family or friends. No matter what your personal preference, we have a wide range of quality products for you to choose from.

A brief description of the various bathing options follows. Simply choose one or more that you would like to enjoy whenever you wish to relax at home.



Traditional sauna.

Scandinavian sauna bathing takes two traditional forms. The classic sauna is best enjoyed at temperatures of 75–90°C in a relative humidity of 20–35%. Now and then you sprinkle a ladle of water over the hot sauna stones and feel the unique, tingling sensation as wave after wave of heat penetrates deep into your skin. Your pores open, you perspire freely and dead skin cells simply disappear in the shower. Rounding off by pouring water over the stones is part of the ritual.

A slightly more extreme variation on this theme is the dry sauna in very high temperatures (95–110°C) and an almost totally dry atmosphere. This form of sauna bathing is popular among those who like to feel the searing sensation of heat on their skin, when perspiration is the only way to cool the body. For devotees of traditional sauna bathing, we recommend a classic Tylö heater or a model from the Mega series.

Steam sauna.

A gentler form of sauna in 45–65°C, which many people experience as the ideal bathing temperature. A continuous and automatic supply of steam ensures constant humidity of 40–65%. The result is a more temperate bathing climate that tempts both young and old to linger a little longer. Just like traditional saunas, steam saunas produce the same sensation of clean, fresh skin and give you the same opportunity to unwind and relax both body and soul.

For that touch of ultimate luxury, you can perfume the air with invigorating herbs or fragrant essences. If you want to enjoy steam saunas and traditional hot and dry saunas, choose Tylö Combi – an ingenious solution that combines all the options in one single heater.

Steam bathing.

A steam bath is not to be confused with the steam sauna. To enjoy a modern steam bath you leave the realm of the wooden sauna cabin and relax instead in a specially designed room finished in glass, plastic or tiles. The humidity level is a constant 100%. However, the temperature doesn't rise above 40–45°C, so you can enjoy the experience for as long as you like and lose yourself in clouds of soothing steam.



If you are thinking of installing a steam bath at home, a practical solution is to let the same facilities serve as a conventional shower as well. Just complement your choice of a Tylö VA or VB steam generator with a mixer tap and a sprinkler. Alternatively, Tylette Centre and Tylö Felicity combine shower functions with an integral generator for steam bathing.

Infra saunas.

This form of bathing is based on infrared radiation and has little in common with sauna bathing as such. The equipment Tylö uses emits IR-B and IR-C radiation. This penetrates deep into the body and is widely used by beauticians the world over to enhance the efficacy of a number of skin treatments. Infrared radiation is also used as a medical therapy to alleviate the effects of rheumatism, tense muscles and similar aches and pains. It is a well-known fact that heat in all its forms stimulates the body and enhances the sensation of mental and physical wellbeing. So it's no exaggeration to say that Tylö infra cabins are an investment in good health, for body and soul alike.

As Tylö infrared panels are fully-contained separate units, they can also be installed in existing sauna rooms.

Multi-saunas.

Installing Tylö infrared panels together with a Tylö sauna heater in one and the same bathroom is the optimum solution. In addition to their other positive effects, infrared heaters heat up the sauna quickly. This means you can start the bathing cycle almost immediately, enabling you to squeeze in a relaxing sauna when you would otherwise not have had time.

Enjoying the benefits of infrared radiation on your body at the same time as the sauna heater heats up the air in the sauna room is a solution well worth considering – and one which satisfies all the different preferences of the family for the best possible bathing experience.

Steam baths.

Welcome to a world of pure, unadulterated pleasure.

Tylö steam rooms have evolved from the luxurious hot baths of the Romans. Today we construct them with walls and ceilings of plastic, glass or tiles to cope with the 100% humidity inside during the bathing cycle.

Unwind amid clouds of steam in the modern successors to the magnificent bathing houses of Ancient Rome. The gentle heat and penetrating humidity relax your body, easing muscles and soothing away the cares of the day. At the same time the steam cleans every pore, leaving your skin baby-soft and smooth. There's no better way to feel rejuvenated, refreshed – reborn.







Tylö steam rooms – the choice of professionals.

Give the people in charge of running public bathing facilities the chance to choose a steam room, and the chances are they'll choose Tylö. One reason is cost-effectiveness. They know that our commitment to quality and durability, our hard-wearing constructions and the reliability of our equipment minimise the cost of service and maintenance.

For the bathers themselves, Tylö steam rooms mean comfort and convenience. In Tylö Elysée rooms the contoured seats are tastefully integrated into the walls. In Tylö Excellent there are wide, comfortable, split-level benches separated by attractive cover panels. And both series incorporate elegant glass doors and dome-shaped ceilings to enhance the sensation of space and light.

All in all, it's qualities like these that make Tylö a firm favourite – meeting the professionals' criteria for a rational, reliable choice, and satisfying discerning steam bathers' demands for pleasure and relaxation.

Domed roof – not just elegant to look at; it's practical too. It prevents condensation from dripping onto the bathers below.

Automatic drainage – the individually contoured seats are designed to lead water and condensation to the floor drain.

Ventilation is prepared for connection to the ordinary ventilation system.

Recessed downlights above each seat (in Elysée) provide welcoming subdued lighting.

Exclusive hinged door in tinted, tempered safety glass with frame and door handle of anodised aluminium. May be hung to open right or left.

Stainless steel protection round the edge of the door leaf, with an air inlet under the apron/drainage strip at the bottom of the door.

Magnetic strips for a reliable, steamtight seal round the door.

Perfect seals with special silicone and non-perishable sealing strips between all sections.

Your choice of exterior finish. Rooms are designed to allow you to adapt the finish of the outside walls to their surroundings.





Tylö Elysée.

A luxurious steam room that meets the highest criteria for form and function. The perfect complement to public bathing facilities in hotels, spas and corporate hospitality suites – and a dream come true in most homes. Tylö Elysée comes in many different sizes and styles (see pages 112–113 for details).

Made of high-tech, vacuum-formed, special-grade white plastic for a rigid, steamtight construction. Supplied in ready-to-assemble wall and roof sections with integral seating and a recessed downlight above each seat. The door is made from tinted, tempered safety glass in a sturdy frame with handles of anodised aluminium. Transformer for lighting, air outlet vent and all assembly hardware included.

Simply add your choice of steam generator and control panel to complete (see pages 114–115).

Lots of optional extras

- Wall/seat modules may be replaced by a glass section to allow more light to enter.



- All rooms may also be equipped with a service wall, with shelf compartments and fittings for mixer tap, shower head and riser rail. The service wall may be ordered instead of the corresponding wall/seat module at no extra cost. Do bear in mind, however, that this will reduce the number of seats in the steam room.
- Steam rooms with a floor area of up to 4 sq.m. may be supplied with a floor tray of vacuum-formed white plastic (except for F/FC when fitted with the optional glass front).

OPTIONAL ACCESSORIES

Steam Door 99 G

Specially designed for wheelchair access with extra wide opening, no raised threshold and a stainless steel protective edge around the glass door leaf. See pages 118–119 for more information about Tylö doors.

Floor tray

Vacuum-formed, white, special-grade plastic, with integral waste outlet, water trap and adjustable legs. May be used with all Elysée steam rooms from model 2 D to model 7 F with max. size 212 x 193 cm (except for F/FC when fitted with the optional glass front).

Glass wall

Smoked, tempered safety glass in a frame



of natural anodised aluminium. Each glass wall section replaces one wall/seat section. May be ordered instead of the corresponding wall/seat section at no extra charge.

Service section Basic

Integral shelf compartments. Made of vacuum-formed, special-grade white plastic. May be ordered instead of the corresponding wall/seat section in plastic at no extra charge. See page 116.

Service section Complete

Fully equipped vacuum-formed wall section with soap/shampoo compartments, jet nozzles for water massage, thermostatically controlled mixer tap, shower head and riser rail. See also page 116.

Tylö Fresh

Electronic fragrance dispenser. Details page 117.

Steam Clean

Cleaning/disinfecting equipment. Details page 117.



Tylö Excellent.

A luxurious steam room raises the standard in any public bathing facility. Tylö Excellent has been designed primarily for professional use, but smaller models can also be a dream solution at home. Tylö Excellent is available in many sizes, from versions for just four or five bathers to magnificent steam rooms that cater for more than 50 guests in comfort.

Made of high-tech, vacuum-formed, special-grade white plastic for a rigid, steam-tight construction. Supplied in ready-to-assemble wall and roof sections with interior fittings consisting of wide, comfortable benches in white lacquered aluminium. The decorative cover panels can be removed for easy cleaning. The door is made from tinted, tempered safety glass in a sturdy frame with handles of natural anodised aluminium. Air outlet vent and all assembly hardware included.

Simply add your choice of steam generator and control panel to complete (see pages 114–115).

Lots of optional extras

- All Excellent steam rooms may also be equipped with the optional service wall, with integrated shelf compartments and space for a mixer tap and shower set. The service wall may be ordered instead of the corresponding wall/seat section at no extra cost.
- Wall sections may also be replaced by glass walls. Do bear in mind, however, that these changes require made-to-measure benches and that they reduce the number of seats in the steam room.



OPTIONAL ACCESSORIES

Steam Door 99 G

Specially designed for wheelchair access with extra wide opening, no raised threshold and a stainless steel protective edge around the glass door leaf. See pages 118–119 for more information about Tylö doors.

Glass wall

Smoked, tempered safety glass in a frame of natural anodised aluminium. Each glass wall section replaces one wall/seat section. May be ordered instead of the corresponding wall/seat section at no extra charge.

Service section, complete

Vacuum-formed wall section with soap/shampoo compartments, jet nozzles for water massage, thermostatically controlled mixer tap, shower head and riser rail. May be used to replace a wall/seat section. See page 116.

Service section, basic

As above, but without jet nozzles. See page 116.

Tylö Fresh

Electronic fragrance dispenser. Details page 117.

Steam Clean

Cleaning/disinfecting equipment. Details page 117.



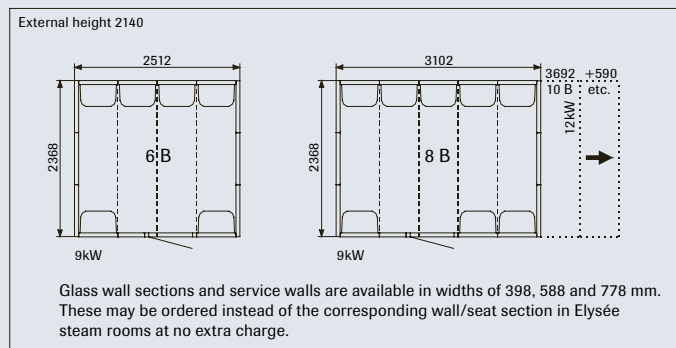
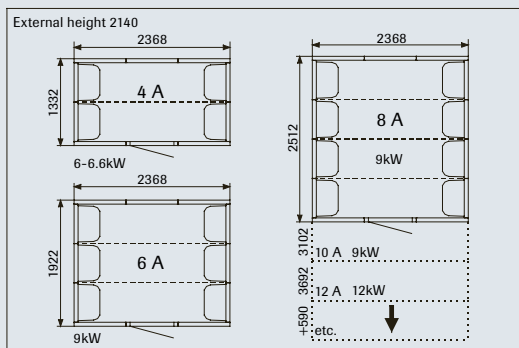
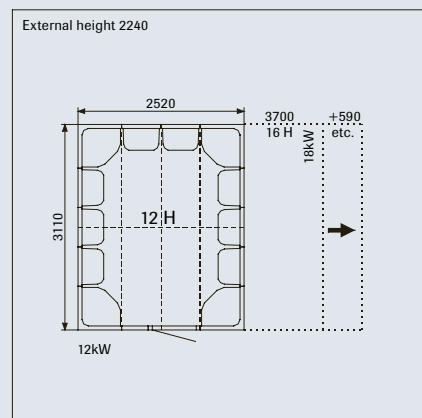
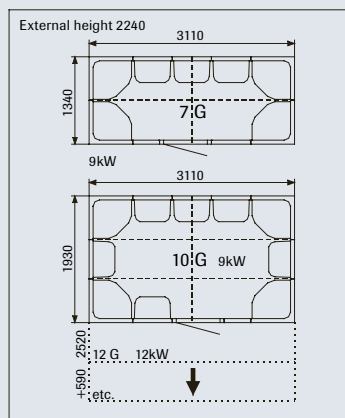
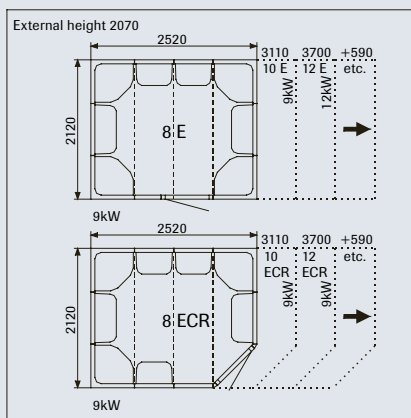
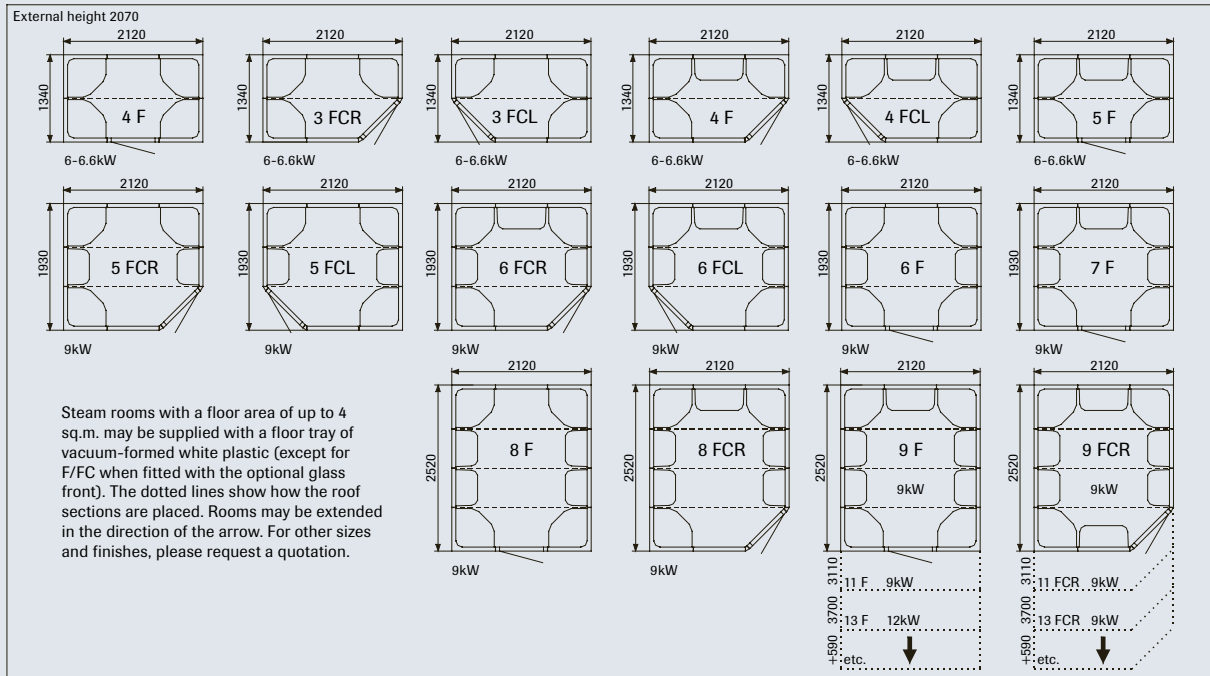
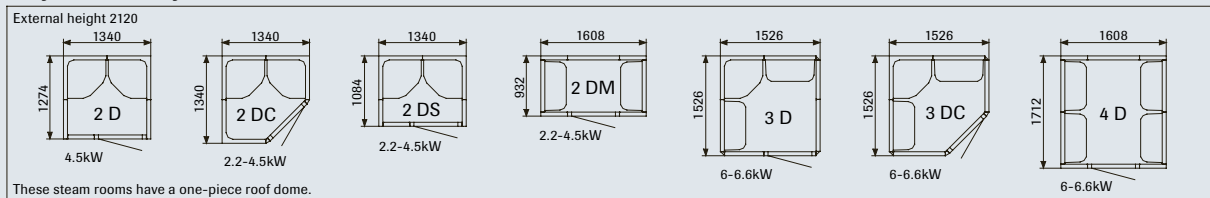


Freedom of choice is yours – by design.

Here you have a bird's eye view of all our complete, prefabricated steam rooms. You can see the sizes and the layout of the interior fittings. All our steam rooms can also be installed mirror fashion. You can also see which standard wall sections can be replaced by glazed sections. The required output of the steam generator is given below each sketch.

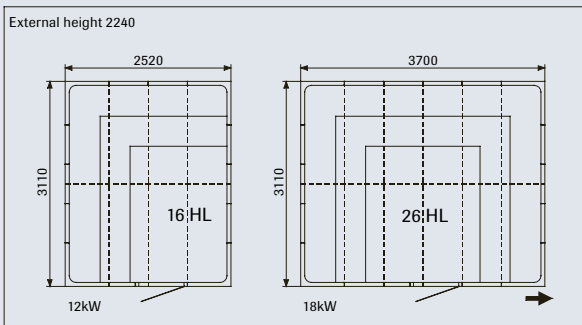
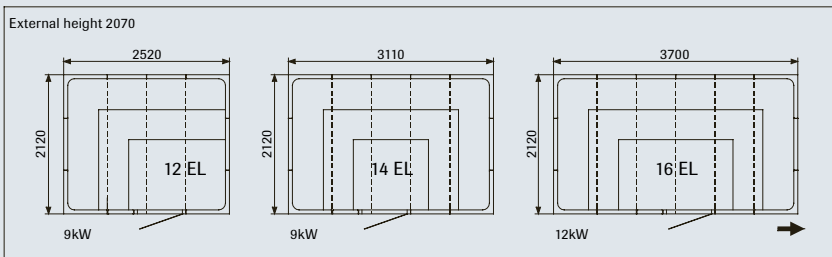
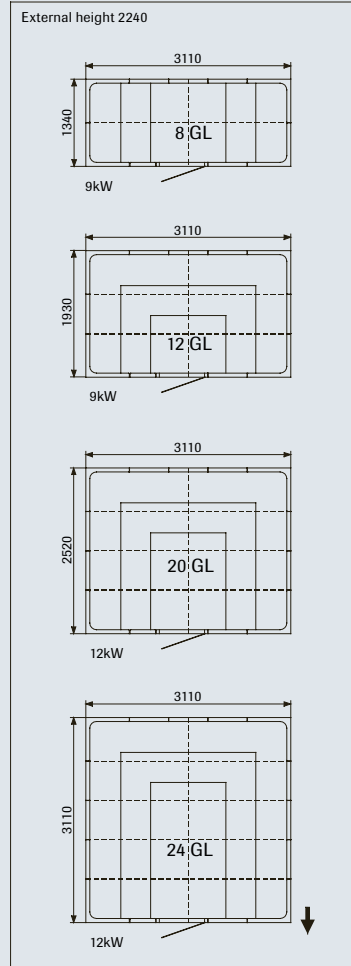
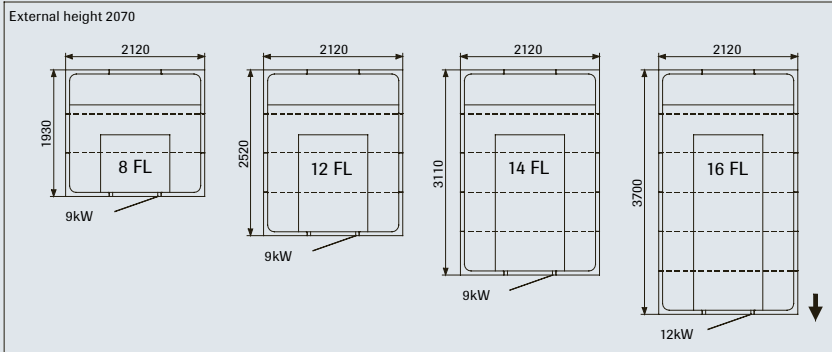
Layouts for Elysée

See current price list for article number for each size.

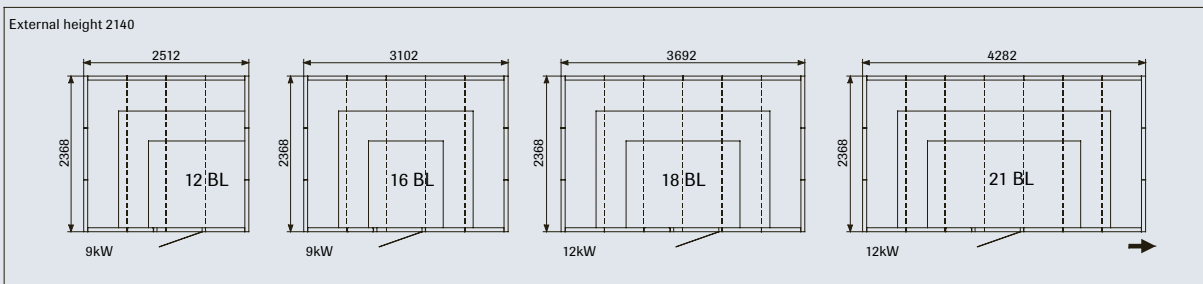
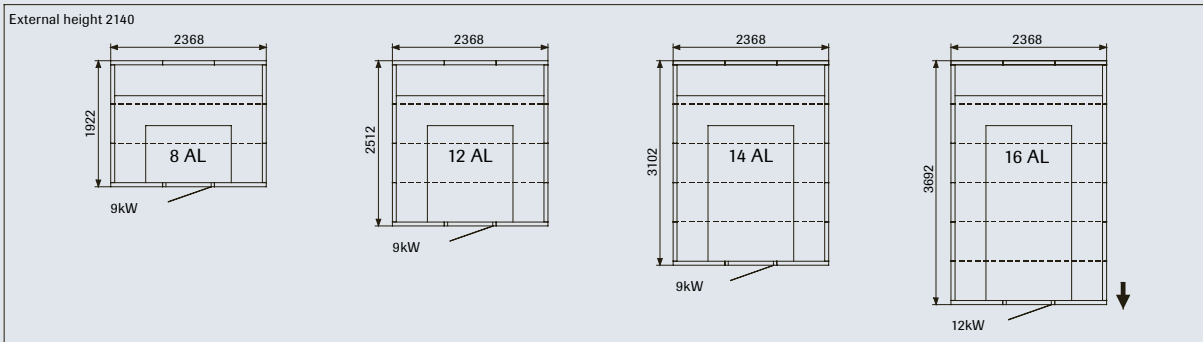


Layouts for Excellent

See current price list for article number for each size.



The dotted lines show how the roof sections are placed. Rooms may be extended in the direction of the arrow. For other sizes and finishes, please request a quotation. Glass wall sections and service walls are available in widths of 398, 588 and 778 mm. These may be ordered instead of the corresponding wall/seat section in Excellent steam rooms at no extra charge.



Tylö steam generators.

Our powerful steam generators are designed to cope with the demands of a tough life in public bathing facilities, hotels and gyms. Under these conditions steam generators often need to work more or less round the clock, so service and maintenance times have to be kept to a minimum. That's why we have given operational reliability top priority and chosen the best possible materials and components in every Tylö steam generator.

Superlative safety thanks to the electronic water-level indicator, low-water cut-off, integral safety valve and temperature limit control.

Always the right steam output, regardless of the quality or level of the water.

Stand-by function – a unique Tylö innovation that saves huge amounts of money for public steam-bathing facilities.

The cleverest control panels with features such as remote control, infinitely variable temperature control, energy-saving divided output, weekly timer with long-term programming function and battery back-up.

Practical features and functions, such as the solenoid valve with easy-to-clean filter.

Hidden out of sight – for example, in a well ventilated cabinet or machine room above, below or on the same level as the steam room itself. (Max. distance: 15 m.)

Simple installation – the steam generator can be fitted to the wall or installed as a freestanding floor unit.

Low energy consumption – divided output produces a constant bathing temperature, continuous steam production and little noise.

Built-in operational integrity – automatic empty-flush-and-refill cycle without any noticeable effect on performance if the quality of the water in the tank deteriorates.

Calcium-repellent electrodes placed for easy access under the service hatch on the top of the steam generator.

First-class tubular elements – high quality heat- and acid-resistant tubular heating elements made in-house by Tylö.

Fully welded water tank – a service-friendly construction in top quality stainless steel with replaceable tubular elements.



Steam generators

Tylö VA

A powerful, fully automatic steam generator with a large water tank, which makes it ideal in public facilities. Requires connection to electricity and water supplies. Convertible 1-phase/3-phase. The table on the right gives details of the appropriate output for the size and wall finish of your steam room. IP rating: IP45. Add your choice of control panel, see page 115.

Steam 6 VA (Art. 6610 2020)
Output 6 kW.

Steam 9 VA (Art. 6610 3020)
Output 9 kW.

Steam 12 VA (Art. 6610 4020)
Output 12 kW.

Steam 18 VA (Art. 6610 5020)
Output 18 kW.

Steam 24 VA (Art. 6610 6020)
Output 24 kW.



Tylö Steam VB

A compact steam generator with the same high quality materials, functions and features as the VA, but with a smaller water tank to ensure rapid heating-up times in small and medium-sized private steam rooms. The table on the right gives details of the appropriate output for the size and wall finish of your steam room. IP rating: IP23. Add your choice of control panel, see page 115.

Steam 2/4 VB (Art. 6610 1820)
Convertible between 2.2 and 4.5 kW for connection to 1-phase or 2-phase.

Steam 6 VB (Art. 6610 1830)
Output 6.6 kW. Convertible for connection to 1-phase or 3-phase.

Control panels

For touch-button or remote control operation. Can also be connected to external switches or a central computer to control multiple functions in public facilities, etc. All control panels incorporate an energy-saving divided output and have splashproof housing. They can be placed at any distance from the steam room. IP rating: IP 24.



CC 10-3 S (Art. 7510 4000)

Max. 3 hours bathing time. 0-10 hour pre-set. Light diodes indicate the temperature setting and time on a scale from 1 to 10. Manual and automatic on/off. Size: 100 x 150 mm, depth 30 mm.

CC 10-10 S (Art. 7510 4002)

As above, but with 10 hours running time.



CC 50 (Art. 7111 4005)

Switchable for 1, 3, 12 or 24 hours bathing time. 0-10 hour pre-set. Display shows pre-set times and bathing temperature. Security code function to deny unauthorised users access to programmed values. The panel also has a memory function, on/off switches for steam room lighting and automatic/manual on/off. Size: 130 x 190 mm. depth 27 mm.



CC 100 (Art. 7111 5105)

Simple programming of the desired bathing time: 1, 3, 12 or 24 hours or non-stop operation. Incorporates an energy-saving stand-by function (see below). Built-in weekly timer for pre-programming automatic day by day on/off times and bathing temperatures, with up to 4 different settings per day.

An illuminated multilingual display (7 languages) explains the various functions. Other features include security code, clock, lighting controls and memory function with unlimited back-up power in the event of interruptions to the electricity supply. Size: 130 x 190 mm, depth 40 mm.

Stand-by – a unique Tylö feature that means big savings for public steam baths!

The stand-by function saves energy galore in public baths, hotels, gyms, and anywhere else where the steam bath is in daily use, but the influx of visitors is uneven. Simply set the unit to "stand-by" during off-peak times. When bathers arrive, the room can quickly be heated up to the desired temperature. This feature enables operators to economise on energy consumption and save substantial sums of money every year.

OPTIONAL ACCESSORY

External switch (Art. 9090 8040)

For on/off control of the steam bath from places other than where the CC control panel is located.

Steam generator	Output kW	Steam room's min/max volume (cu.m)				Steam prod'n in kg/hrs	Size in mm L x W x H	Suitable control panel
		Lightweight wall of glass, plastic, Elysée/Excellent rooms etc.		Heavy wall of tiles, concrete, stone, etc.				
		with ventilation	without ventilation	with ventilation	without ventilation			
2/4 VB*	2.2 4.5	– max 4	max 2.5 max 5.5	– max 2.5	max 1.5 max 3.5	3 5.5	415 x 140 x 405	CC 10-3 S, CC 50 or CC 100
6 VB	6.6	3 – 8	4 – 15	2 – 5	2.5 – 8	8	415 x 140 x 405	
6 VA	6	3 – 8	4 – 15	2 – 5	2.5 – 8	8	570 x 224 x 485	
9 VA	9	6 – 16	13 – 24	4 – 10	7 – 16	12	570 x 224 x 485	
12 VA	12	14 – 22	22 – 30	8 – 15	14 – 20	16	570 x 224 x 485	
18 VA	18	20 – 30	28 – 40	13 – 20	18 – 30	24	615 x 445 x 485	
24 VA	24	28 – 40	38 – 50	18 – 30	28 – 40	32	615 x 445 x 485	
3 x 9 VA**	27	38 – 45	48 – 60	28 – 40	38 – 52	36	570 x 224 x 485	
3 x 12 VA**	36	43 – 60	58 – 70	38 – 50	48 – 60	48	570 x 224 x 485	

* Convertible between 2.2 and 4.5 kW for connection to 1-phase or 2-phase.

** Only 1 control panel is required.

Steam bath accessories.



Steam Guard

Steam Guard W (Art. 9002 9210)

For wall installation inside the steam room to protect bathers from the hot jet of steam. Recommended in all public facilities.

Steam Guard 778 (Art. 9002 9220)

As above, but for 778 mm section in Tylö Elysée steam rooms.

Steam Guard 588 (Art. 9002 9230)

As above, for 588 mm section.

Steam Guard Corner

(Art. 9002 9240)

As above, for corner section.



Optical fibre lighting

Halogen lighting for atmospheric lighting in all sorts of settings. The lighting source is in a projector placed outside the sauna room. The length of the optical fibres determines the maximum distance between the projector and the light points.

Fiber Light Standard

(Art. 9001 1100)

42 W with 6 light points (2 x 2 m, 2 x 2.5 m and 2 x 3 m).

Fiber Light Public (Art. 9001 1120)

42 W with gilded fittings and 8 light points (2 x 2.5 m, 3 x 3 m and 3 x 3.5 m).

Fiber Light Colour S (Art. 9001 1125)

75 W with 9 light points (1 x 0.5 m, 2 x 1 m, 3 x 1.6 m, 2 x 1.9 m, 1 x 2.3 m) and a rotating disc for fixed or changing colours.

Fiber Light Colour (Art. 9001 1130)

75 W, as above but with 9 light points on 2.5 metre cables for large rooms.



Downlight (Art. 9001 1081)

Effective spotlighting for installation in the steam room. 12 V/5 W. Connect to our 12 V transformer below.

Transformator 12 V/210 W

(Art. 9090 1015)

200–240 V~/12 V max. 210 W.

Transformator 12 V/60 W

(Art. 9090 1020)

As above, but for max. 60 W.



Lighting strips

May be cut to size and installed under the benches in Excellent steam rooms. 12 V. Connect to our 12 V transformer.

Lighting strip 38 (Art. 9001 1040)

Length 38 cm. 12 W.

Lighting strip 50 (Art. 9001 1050)

Length 50 cm. 15 W.

Lighting strip 90 (Art. 9001 1060)

Length 90 cm. 27 W.

Lighting strip 190 (Art. 9001 1070)

Length 190 cm. 57 W.



Service section, complete

(Art. 4990 5085)

Wall section in white, vacuum-formed, special-grade plastic. Jet nozzles for water massage, thermostatically controlled mixer tap, shower head, riser rail and soap/shampoo compartments. May be used to replace a wall/seat section.

Service section (Art. 4990 5081)

As above, but without jet nozzles.



Fragrance dispensers

Tylö Fresh (Art. 9090 8005)

Fragrance dispenser for saunas, steam baths and wherever else Tylö's aromatic essences may be needed. Silent, automatic operation. Installation distance: max. 2 metres between fragrance dispenser and nozzle. Up to four fragrance dispensers may be connected to a single control panel for varying the fragrance in one or more rooms. Size: 350 x 200 mm.

CC Fresh (Art. 9090 8006)

Electronic control panel for easy, automatic operation of Tylö Fresh dispenser. Supplied complete with transformer. May be installed at any distance from the fragrance dispenser. Size: 130 x 190 mm, depth 27 mm.

Tylö Fresh Basic (Art. 9090 8007)

As Tylö Fresh above, but with transformer and simple on/off function for manual control of the fragrance intensity. May also be connected to lighting, etc. For domestic saunas only.



Steam jet

Steam Outlet (Art. 9002 9205)

Steam head with integral dispenser for Tylö fragrances. Connect to the steam generator's steam pipe.

Descaling agent

Sulfamic solvent (Art. 9090 3010)

An extra effective descaling agent for professional use only in public facilities. Sold in a 5-kilo pack.

Solvent 50 (Art. 9090 3007)

Powder for descaling the water tank in Tylö steam generators. Totally odourless and harmless. Sold in packs of 50.



Loudspeaker A (Art. 9080 2000)

Steam and heat-resistant materials suitable for recessed installation inside the steam room. 50 W output. Installation size: 120 mm diameter, depth 55 mm.

Loudspeaker B (Art. 9080 3000)

As above, 50 W, but for surface-mounting. Size: 77 x 114 mm, depth 125 mm.

Disinfecting equipment



Steam Clean (Art. 9090 8020)

For automatic day-to-day hygiene and disinfection of steam rooms in hotels and public facilities, etc. One hour after completion of the bathing cycle the entire room is automatically flushed with water. A ceiling-mounted sprinkler sprays disinfectant throughout the room and then repeatedly rinses it off with clean water. A security code function ensures that the disinfecting cycle can not be activated accidentally. Steam Clean is indispensable in all public facilities.



Disinfectant (Art. 9002 9100)

Disinfecting liquid for use with Steam Clean (above). Supplied in a 5-litre plastic container.



Doors.

Our hinged doors for showers and steam rooms have an extra robust design to cope with wear and tear and heavy traffic in demanding environments such as public bathing facilities. They are manufactured in 6 mm smoked, tempered, safety glass with protective stainless steel trim round the edges and hung in a robust aluminium frame. Door leaves come complete with aluminium handles and hinges, and magnetic strips for a tight seal. There is a drainage strip and air vent at the base of the door. All our hinged doors can be hung to open left or right.



Steam Door 60 G (Art. 9091 2000)
Frame size: 1870 x 780 x 60 mm. Width of opening 670 mm.



Steam Door 50 G (Art. 9091 1010)
Compact model in tempered clear glass with concealed hinges. Frame size: 1855 x 635 x 60 mm. Width of opening 550 mm.



Steam Door 99 G (Art. 9091 2020)
As above, but specially adapted for wheelchair access with extra wide opening and flat threshold. Frame dimensions: 1870 x 990 x 60 mm. Width of opening 880 mm.



Shutting device for glass doors
(Art. 9030 1010)
Hydraulic construction closes glass doors gently and smoothly. May be combined with the door-closer below.



Automatic door-closer
(Art. 9030 1030)
Fits to the side of the door with the hinges, to close the door from a fully open position. Easy to fit. Complement this with the hydraulic shutting device described above.



Tylö Special.

All over the world Tylö leads the way in creating inspiring environments for saunas, showers and steam bathing, both at home and in public facilities.

Our standard range includes quality products that meet the highest functional and aesthetic demands and are at home in just about every setting. And, should you require an individually designed solution to meet specifications and expectations beyond what even the Tylö standard range can offer, our Design Department is at your service.

Whether the emphasis is on exclusive materials or unconventional layouts, we can design, manufacture and deliver a prefabricated solution to meet your every requirement. We will even tell you in advance exactly what the final price will be. All we need from you is a sketch with the right measurements and a list of your wishes and requirements.

Saunas and steam baths are a great way of relaxing and socialising – for recreation or for corporate representation. We have already supplied thousands of unique, custom-designed bathing facilities to private homes, businesses, cruise ships, castles and palaces all over the world.





Hints on how to plan a steam room.

All Tylö steam rooms and steam generators are supplied with detailed assembly and installation instructions. Please note the following points, however, before commencing installation work.

Source of heating

The steam room is heated up by the steam generator. There should be no other source of heating in the steam room apart from the steam generator itself. The ambient temperature outside the steam must not exceed 35°C. The normal bathing temperature in the steam room is approximately 45°C with 100% humidity. The steam generator only produces steam when the temperature in the steam room is lower than the temperature set on the generator's control panel. If there are other sources of heating in the steam room, steam generation will stop or be intermittent.

Ventilation

As a general rule no special ventilation is required for steam rooms in homes or those used for only short periods of time. However, for reasons of hygiene and to ensure trouble-free operation, all steam baths that are in use for more than 2 hours at a time must be connected to some form of mechanical ventilation that replaces 10–20 cu.m. of air per bather per hour. Otherwise the relative lack of heat-loss in the steam room has a negative effect on steam production.

Materials and design

Steam room materials must withstand high humidity and high temperatures. The floor must be made of a non-slip material and slope towards a floor drain. The roof should be domed or sloping to prevent hot condensation dripping on the bathers below. The simplest solution is to buy a prefabricated Elysée or Excellent room, a Tylette Centre cabinet or a Tylö Felicity multi shower. We always recommend installing a shower in domestic steam rooms.

Steam bath lighting must be 12 V or 24 V. Lighting is included in Tylö Elysée steam rooms, Tylette Centre cabinet and Tylö Felicity multi shower.

Steam generator

The steam generator needs to be connected to water, drainage and electricity. In areas with hard water (over 5° dH), we recommend installing a water softener, such as the Tylö automatic descaler on the feed pipe. This is particularly important for steam baths in continuous use.

Tylö steam generators may be located up to 15 metres from the actual steam room; for example, in a well-ventilated cabinet or machine room above, below or on the same floor as the steam room. The steam is led to the steam room via copper piping (at least 12 mm internal diameter) insulated with plastic. Ensure that there are no sharp bends or elbows in the pipe where water may gather.

Choose a steam generator with a capacity suitable for the volume, construction and ventilation (if installed) of the steam room in which it will be used. See the table on page 115.

Basic principles for Tylö steam room installations



- A steam room may be installed directly on quarry tiles, marble or seamless vinyl floor-covering. Floors must slope towards a wastewater outlet, preferably located in the centre of the steam room.



- The construction is self-supporting. No supporting walls are necessary. Steam rooms may be assembled freestanding, against a wall or in a corner.
- Wall and roof sections are connected using special-grade silicone which both bonds and seals. The sections are then screwed together with the help of sturdy battens to form a safe, stable and absolutely steamtight construction.



- The air outlet vent in the roof (not over a seat) is connected to a ventilation channel that discharges spent air into the open. Existing ventilation shafts may be used.
- It is advisable to install a shower in steam rooms in domestic properties. This can be done in connection with the steam room assembly work. One suitable alternative is to install the Tylö service section complete with gentle shower and massage shower functions, riser rail and shelf compartments, etc.
- The steam generator may be concealed in a well-ventilated cabinet.



- Install the steam head between 5 cm and 40 cm above floor level. Direct the jet of steam horizontally under the seats. There must be free passage for the steam jet of at least 70 cm (more if possible) before its path is impeded by any fixed object.

About Tylö.

The Tylö name is a registered trademark in 74 countries all over the world. The company was founded in 1949 by Sven-Olof Janson.

Tylö AB is a well-established manufacturer with considerable market shares and all the resources necessary to ensure stable growth. This provides the foundation that makes Tylö AB a secure partner for the future.

Our highly successful concept is built on offering products of high quality which promote relaxation, enjoyment and the pleasure of bathing. All the products that bear our name have been developed and manufactured by Tylö. Today our products are exported to more than 80 countries on every continent, and export sales currently account for more than 75% of our total production.

The Tylö factory is located in a modern industrial area close to the centre of Halmstad, Sweden. The factory has been extended more than a dozen times since 1959, most recently to give a factory floor area of 30,000 sq.m. The company has enjoyed an AAA credit rating (Dun & Bradstreet) for many years and all investments in land, buildings and machinery have been financed with internal resources.

TYLÖ®

Registered office, factory and warehouse: Svarvaregatan 6, SE-302 50 Halmstad, Sweden
Tel: +46 35-299 00 00 • Fax: +46 35-299 01 98 • E-mail: info@tylo.se • Website: www.tylo.com

Produced in cooperation with:

Layout and production: hstd reklambyrå.

Text: Gert-Åke Kegg. Photos: Anders Sällström, Göran Örtegren, and others. Stylist: Kicki Lindblom. Print: Skånetryck. Translation: AB Språkman

We would also like to express our thanks to: Danzani, Svenska Kakel and Sea Lounge, www.sealounge.se.

© The contents of this publication may not be reproduced in part or in whole without written permission from Tylö. Tylö reserves the right to amend specifications of materials, construction and design.

