

## Over Temperature Alarm and Shut Off Device

### for MrSteam CT Day Spa and CU Commercial Steam Generators

The Device turns off steam generator and activates audio and visual alarm when steam room temperature reaches 120°F. Connections are available for additional external emergency switch and audio and/visual alarms.

#### CONTENTS

- Device
- Clear Tamper Proof Cover
- #6 x 1" Anchors
- Sensor
- 30 ft. Cable
- Silicone
- Sensor Guard
- #6 x 1" Tapping Screw
- Instruction Manual

#### DEVICE INSTALLATION

- Device uses 120V, 1PH control voltage supply.

#### OPERATING PARAMETERS

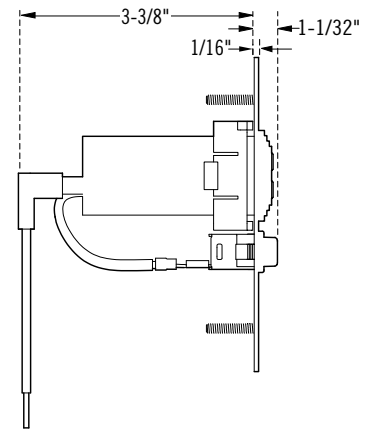
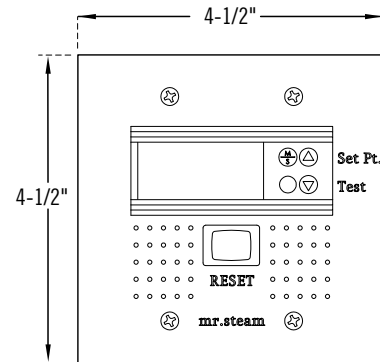
- Device shut off fixed at 120°F (49°C)

#### DEVICE SHUT-OFF

- In the event room conditions or environment cause the temperature to reach 120 °F (49 °C) the Device will shut off power to the steam bath generator, display "STOP" and sound the alarm.
- The Device can be reset by pressing the RESET button which will shut off the alarm and the display changes to current room temperature.

#### TESTING THE SYSTEM

- Press the down arrow button to shut off the system. This shuts off power to the steam generator, sounds the alarm, and displays STOP. Push the RESET button to reset.
- Press and hold the up arrow button to display the set point temperature (120° F).
- Test monthly to insure proper operation.



#### TEMPERATURE SENSOR INSTALLATION

- Locate the sensor 4-5 feet above the floor in a location representative of desired steam bathing temperatures.
- Do NOT locate the sensors near or above the steamhead(s) as this may cause direct steam emission to interfere with steam room temperature regulation.
- Do NOT route sensor cable with power wiring, next to electric motors or any other location subject to electrical noise.

#### **FOR ILLUSTRATIVE PURPOSES ONLY. IMPORTANT NOTE: FOR SAFE AND TROUBLE FREE INSTALLATION**

visit [mrsteam.com](http://mrsteam.com) before installation to download the Installation, Operation and Maintenance Manual or refer to the manual provided with the unit.

MODEL	PROJECT INFORMATION	
<input type="checkbox"/> CU-HTC	Location:	Contractor:
	Architect:	Submitted By:
	Engineer:	Date:
Notes:		