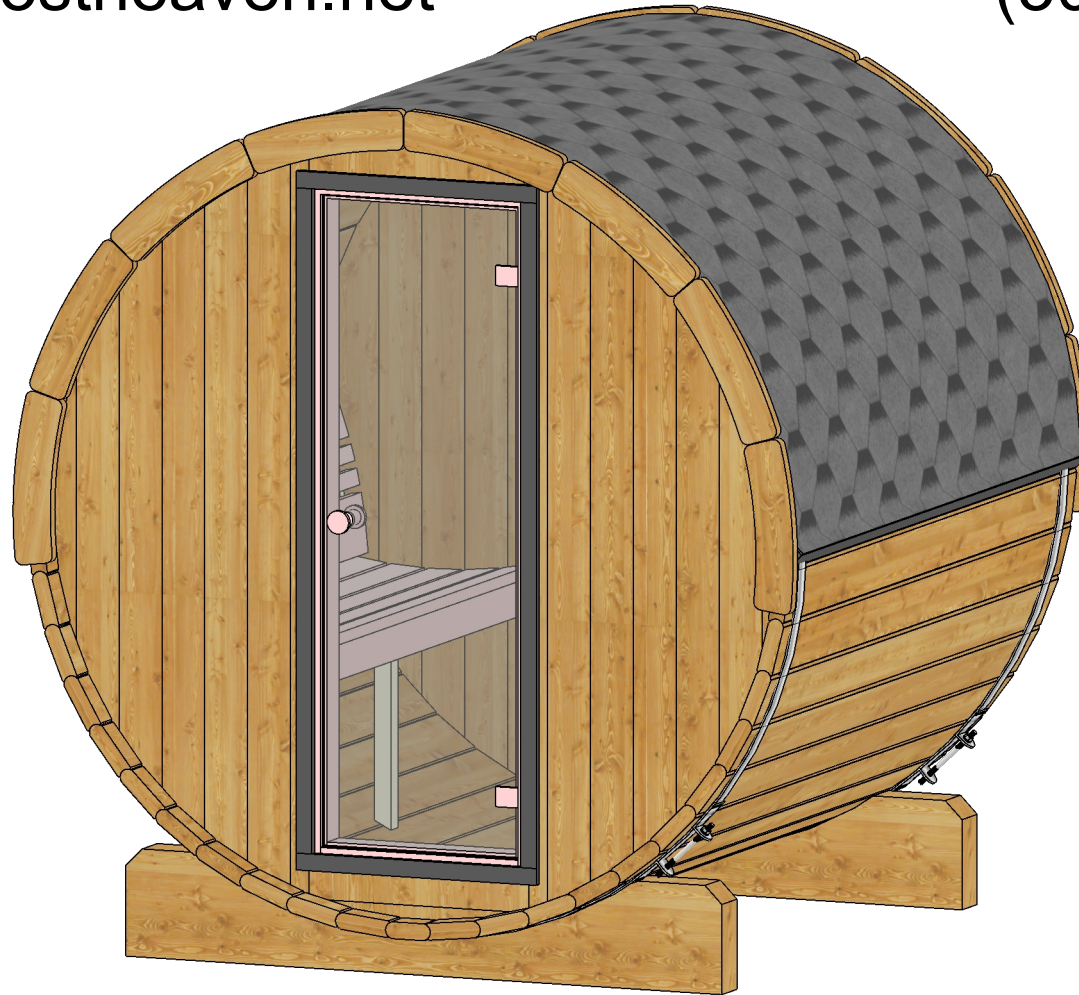




Ergo-Series E6 Barrel Sauna

59D" x 81H"

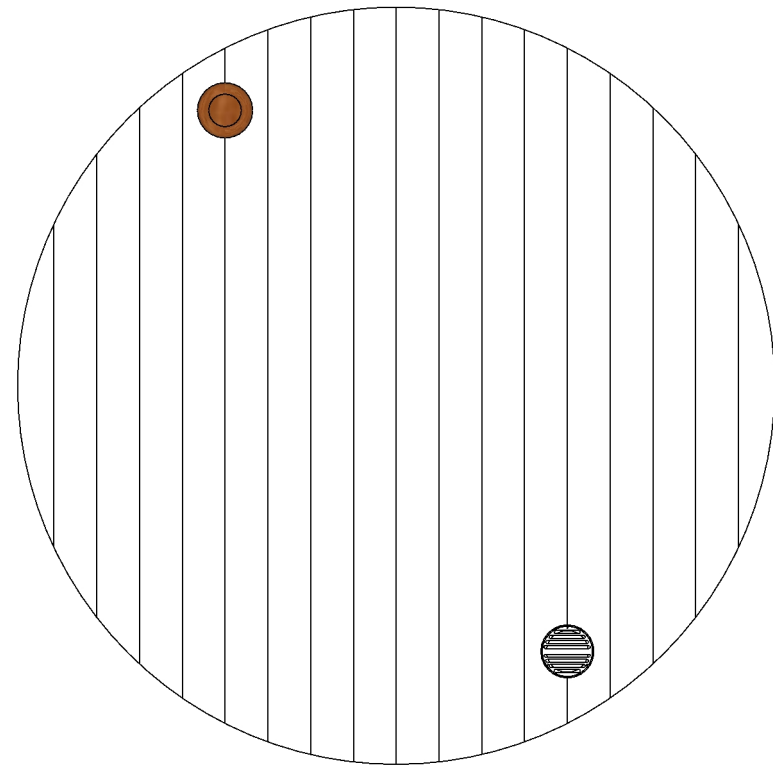
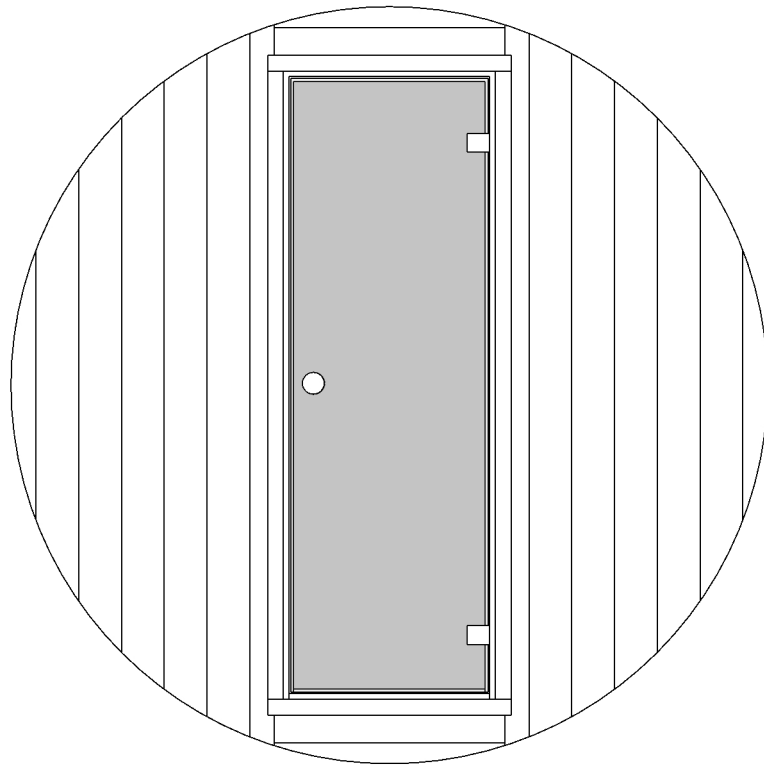
Almost Heaven Group LLC - <https://www.almostheaven.net>
sales@almostheaven.net (304) 645-2310



Note: Please read manual before construction

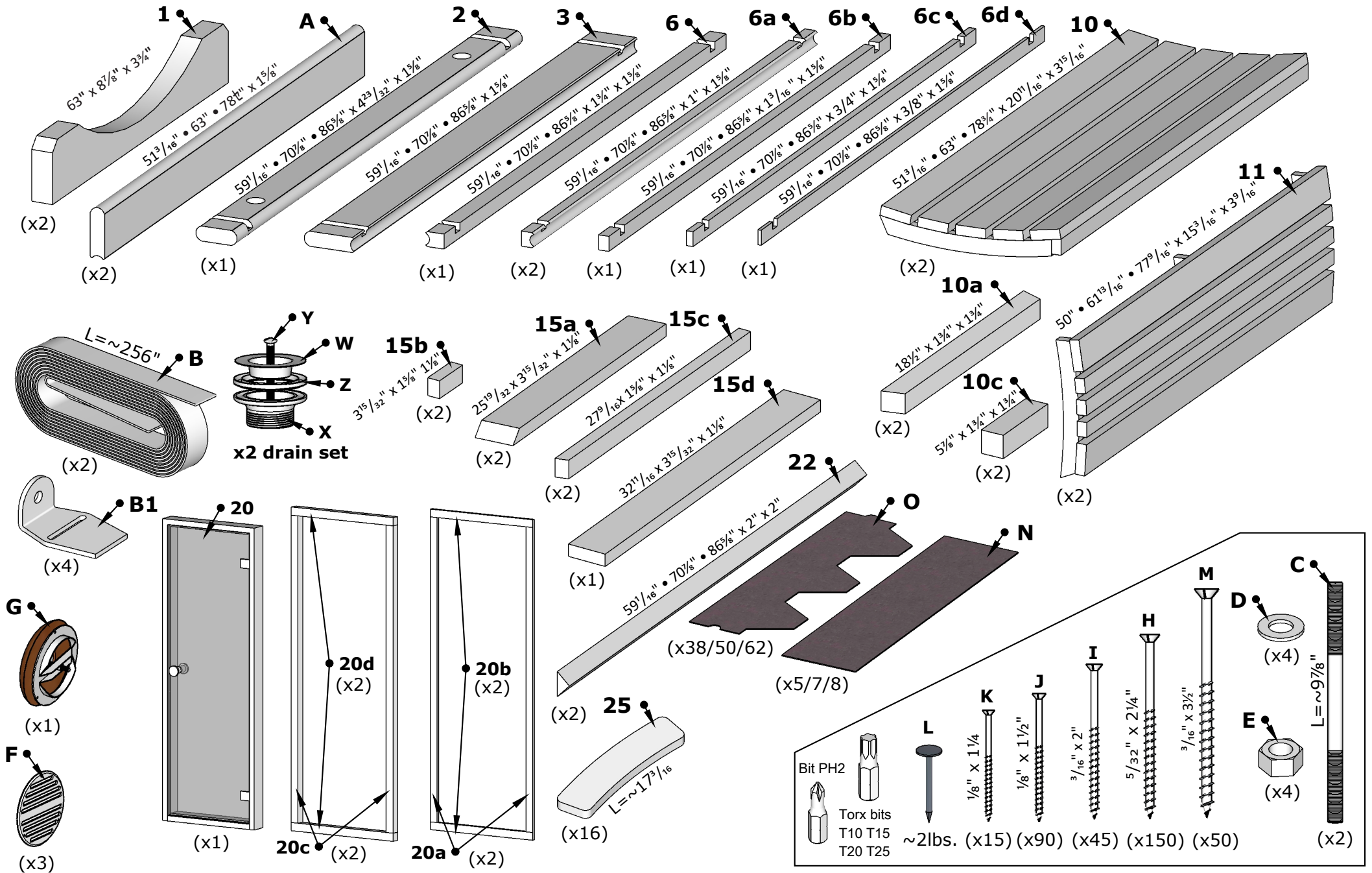
Rev 4/2023

Front & Back Walls

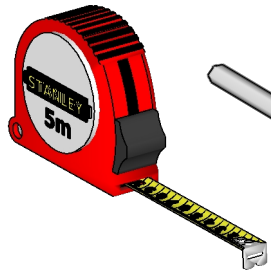


E6 Barrel Sauna 59D" x 81H"

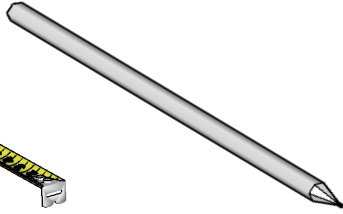
Details list.



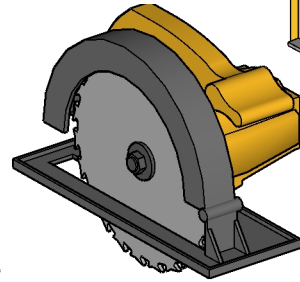
Tools needed



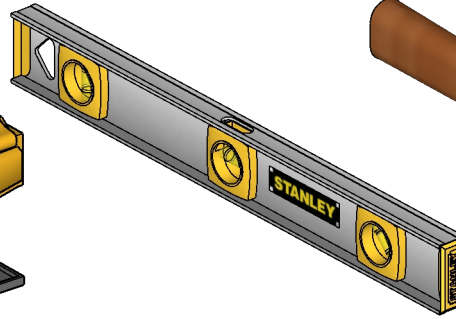
Measuring tape



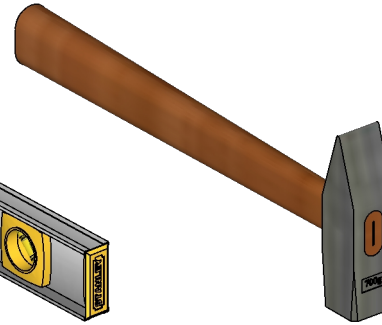
Marker pen



Circular saw



Water level



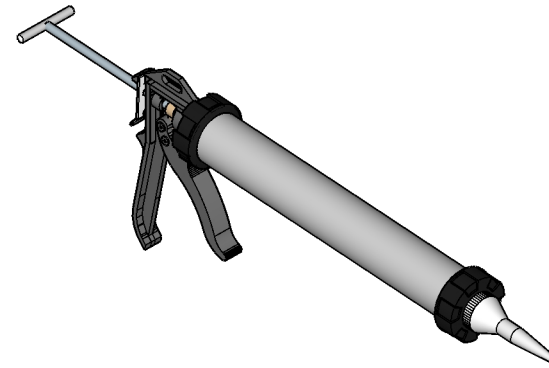
Hammer



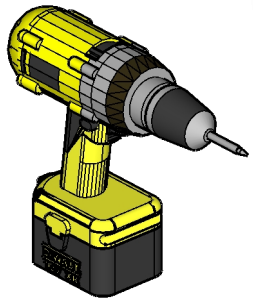
Extra hands



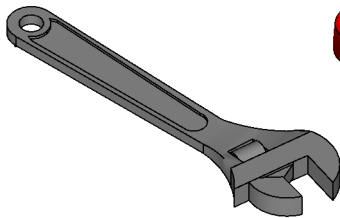
Ratchet strap



Silicone gun
(Only glass-wall models)



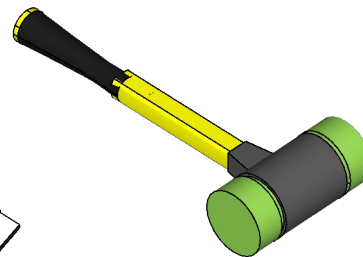
Drill



Crescent wrench



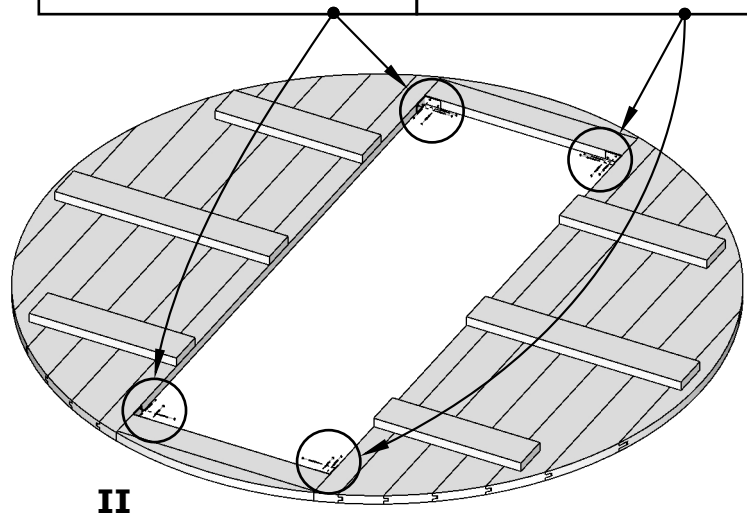
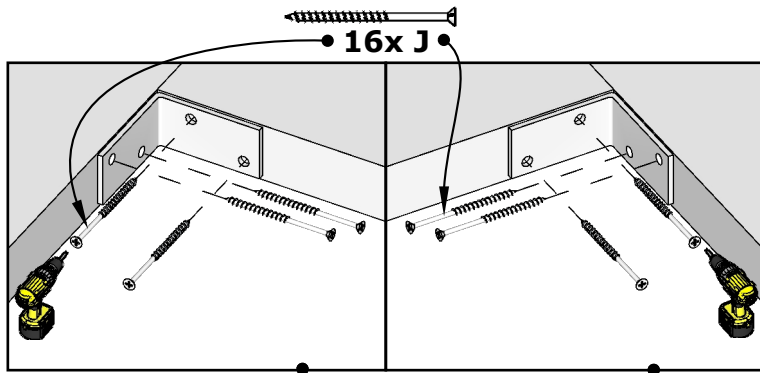
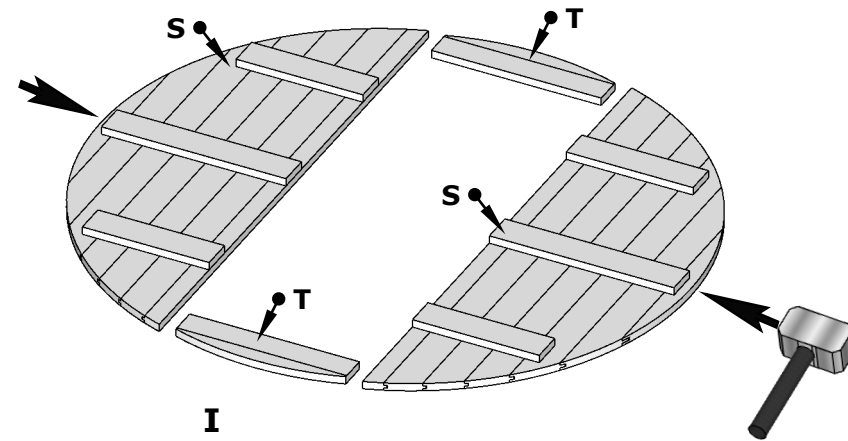
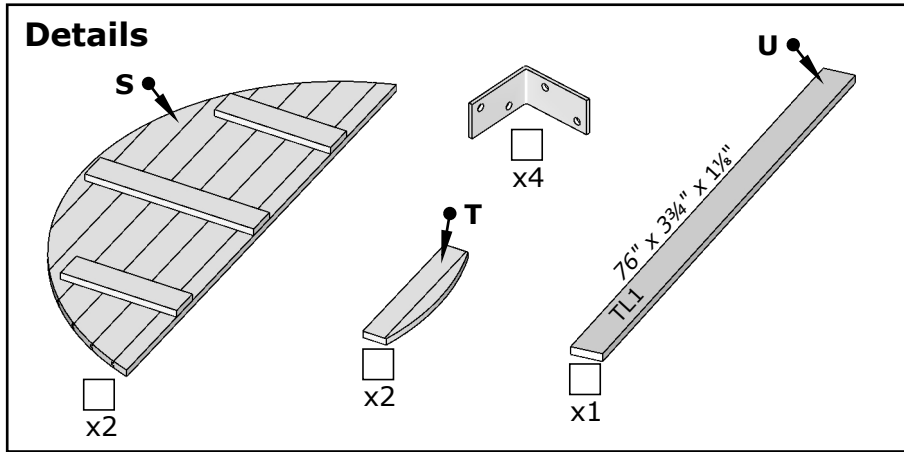
Utility knife



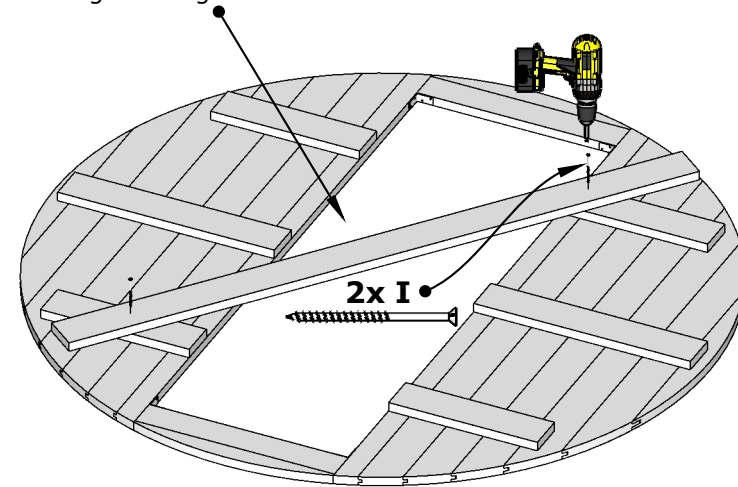
Rubber mallet

Wooden front wall installation

Details

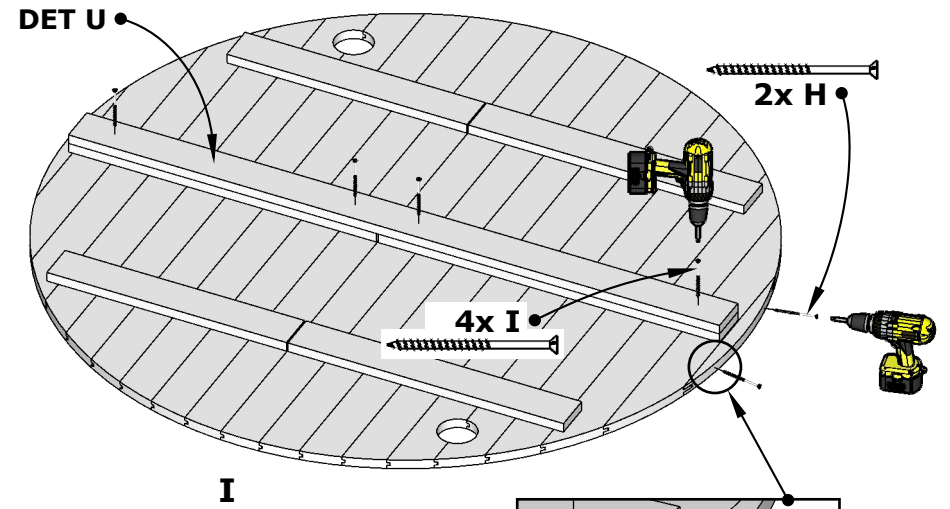
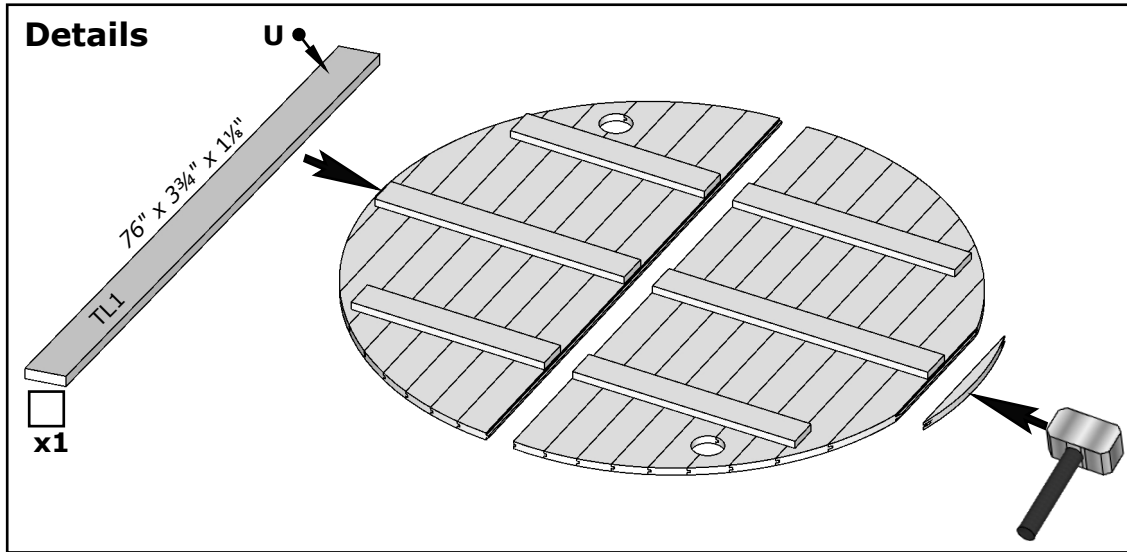


DET U Fix it diagonally to make wall more rigid during the installation.

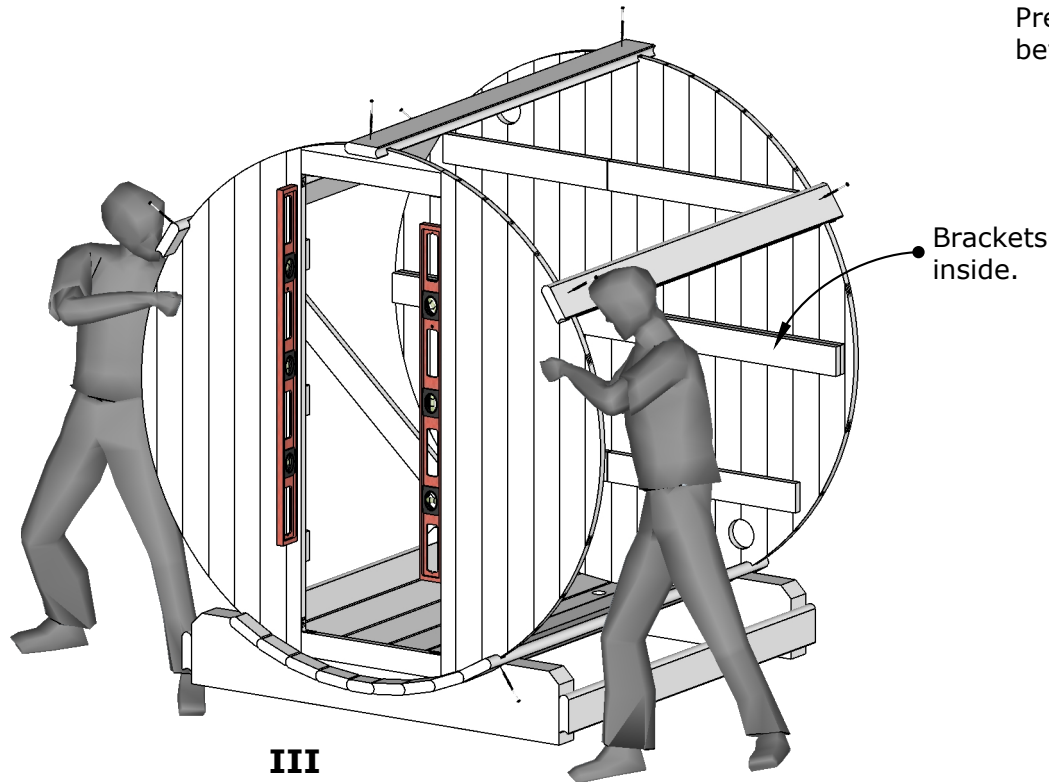
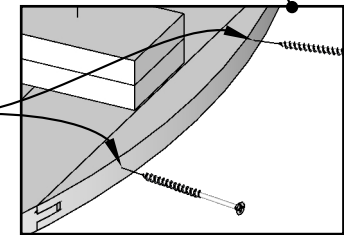


III

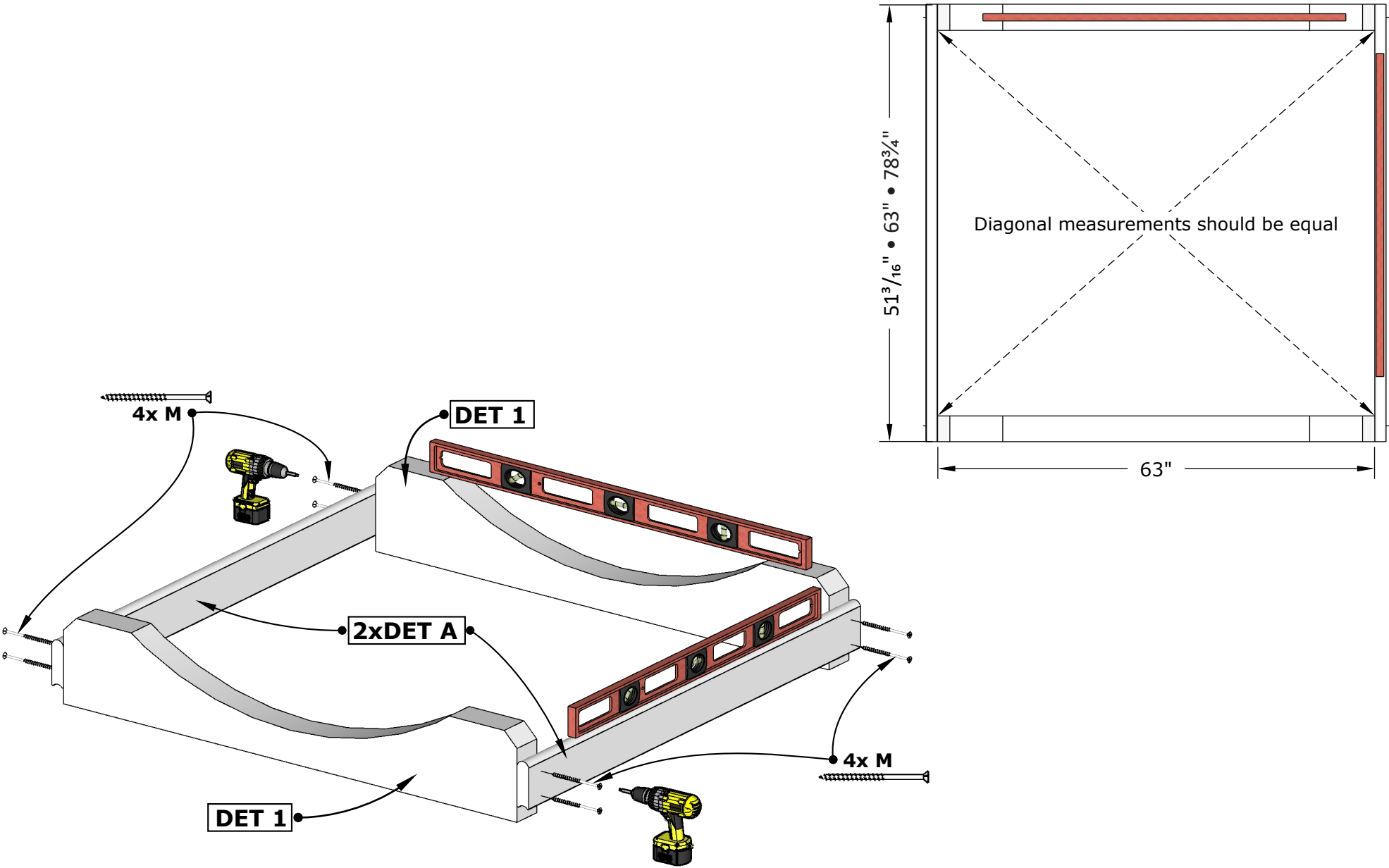
Wooden back wall installation



Pre-drill holes 5/32" before screws.

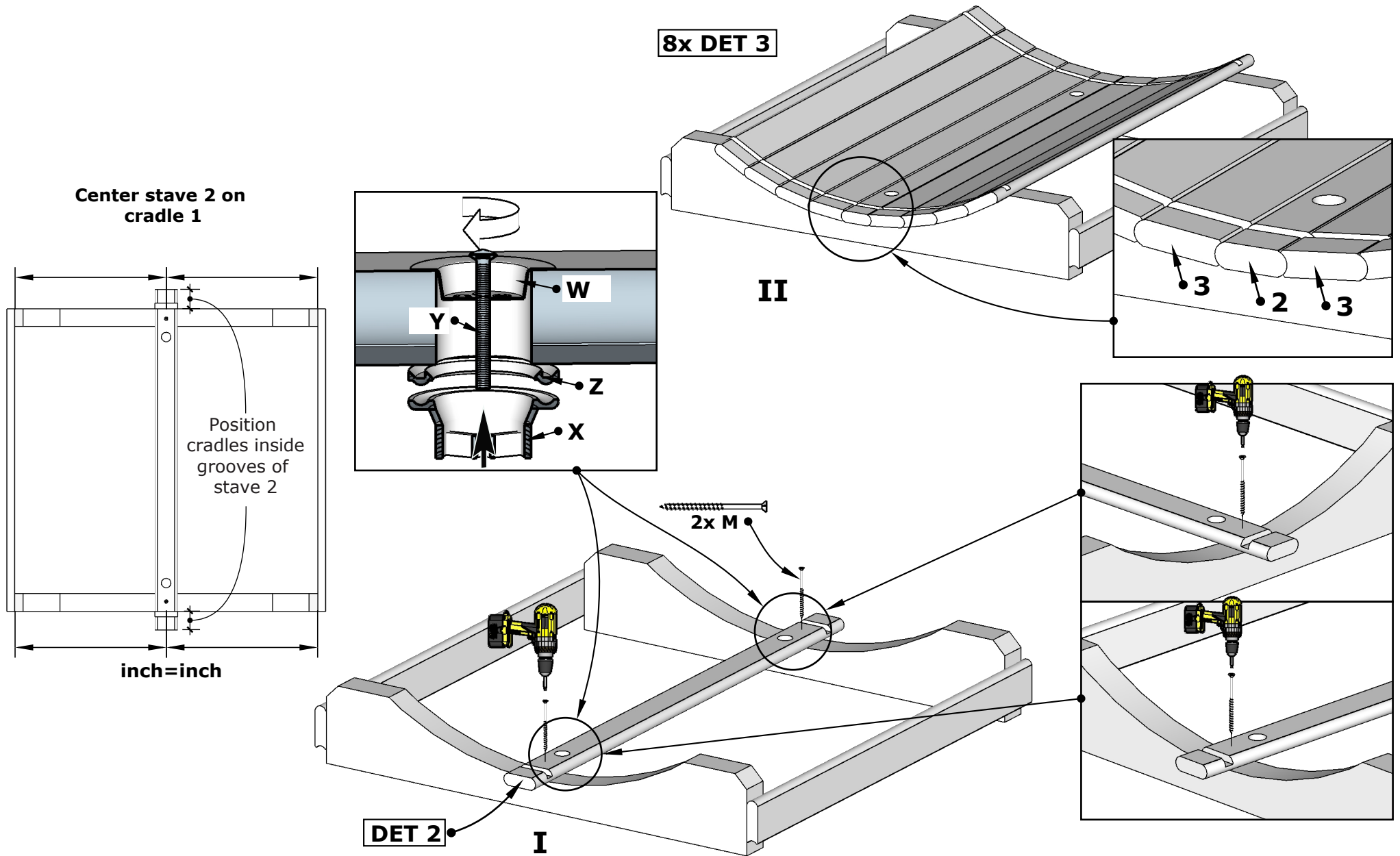


E6 Barrel Sauna 59D" x 81H"

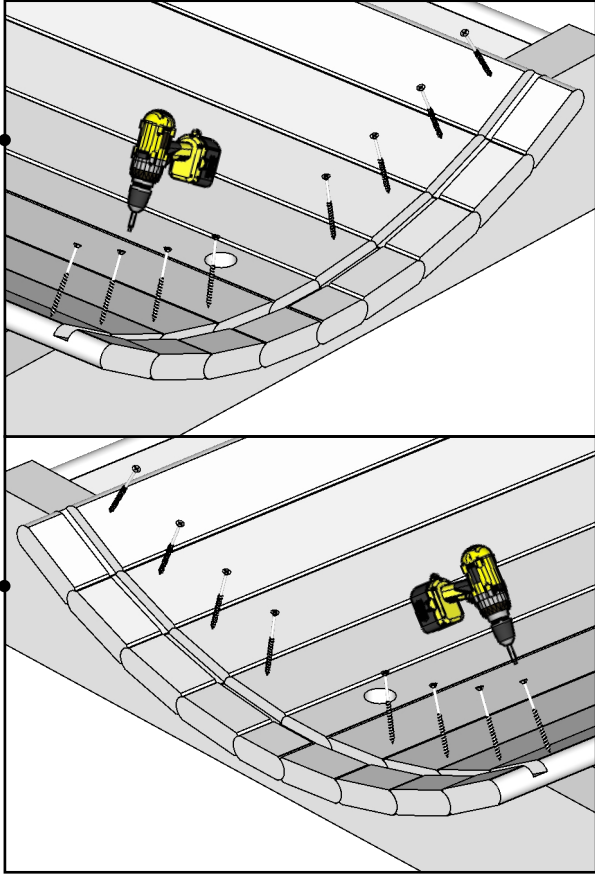
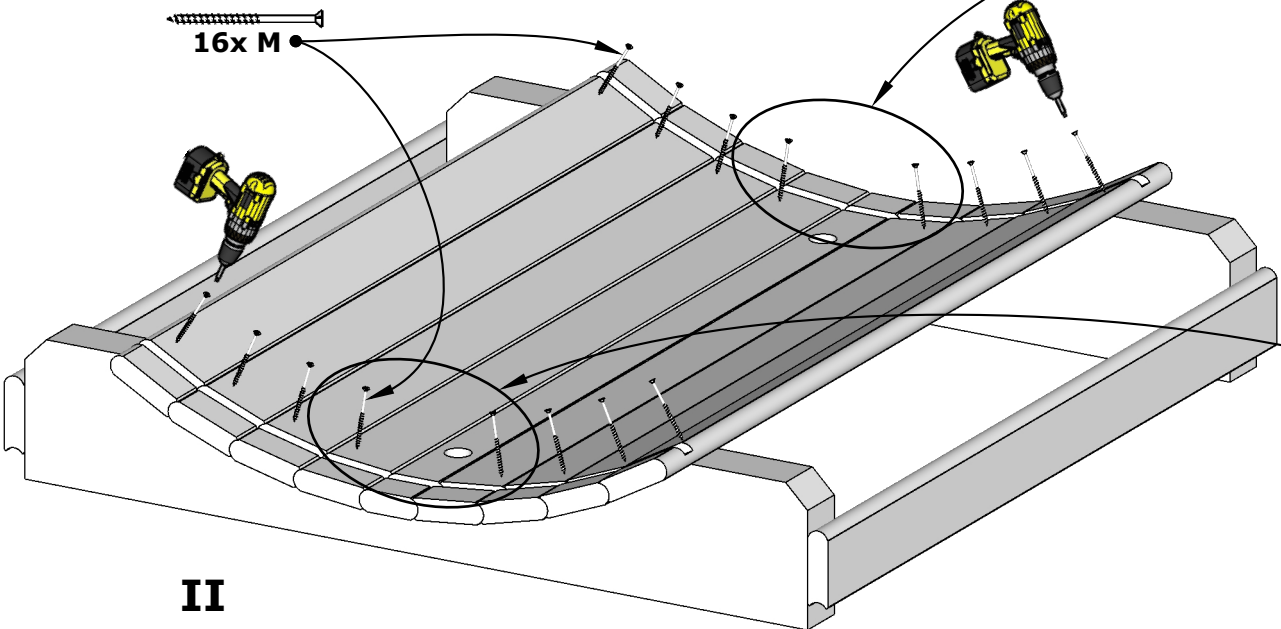
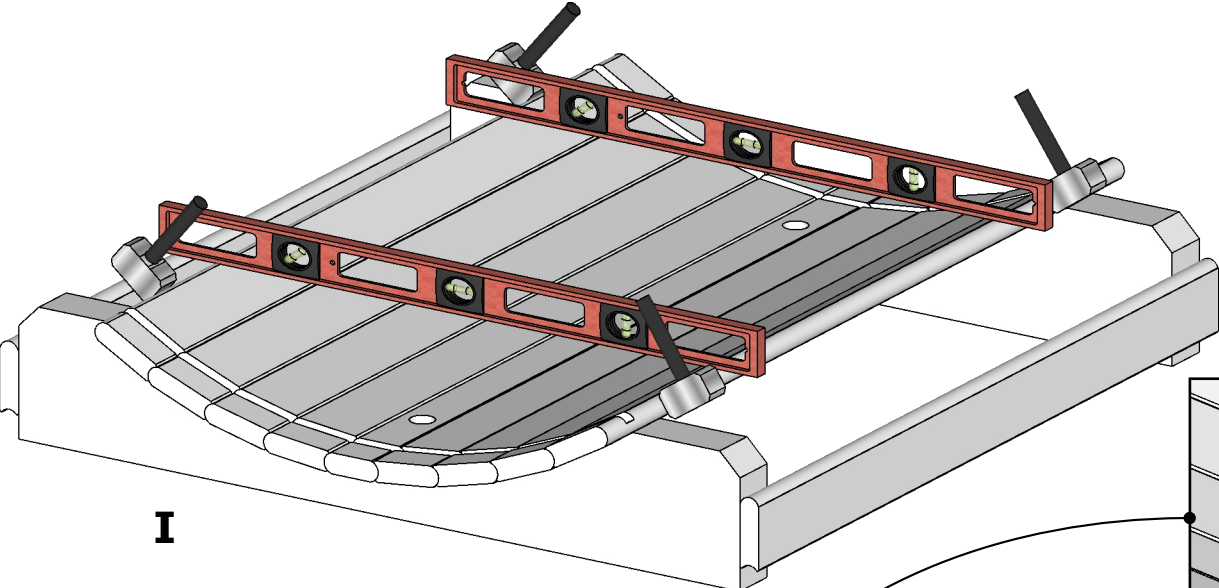


1.

E6 Barrel Sauna 59D" x 81H"

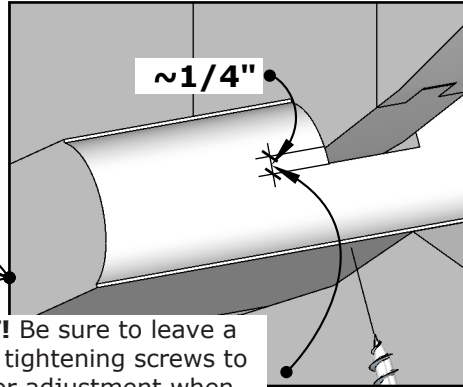
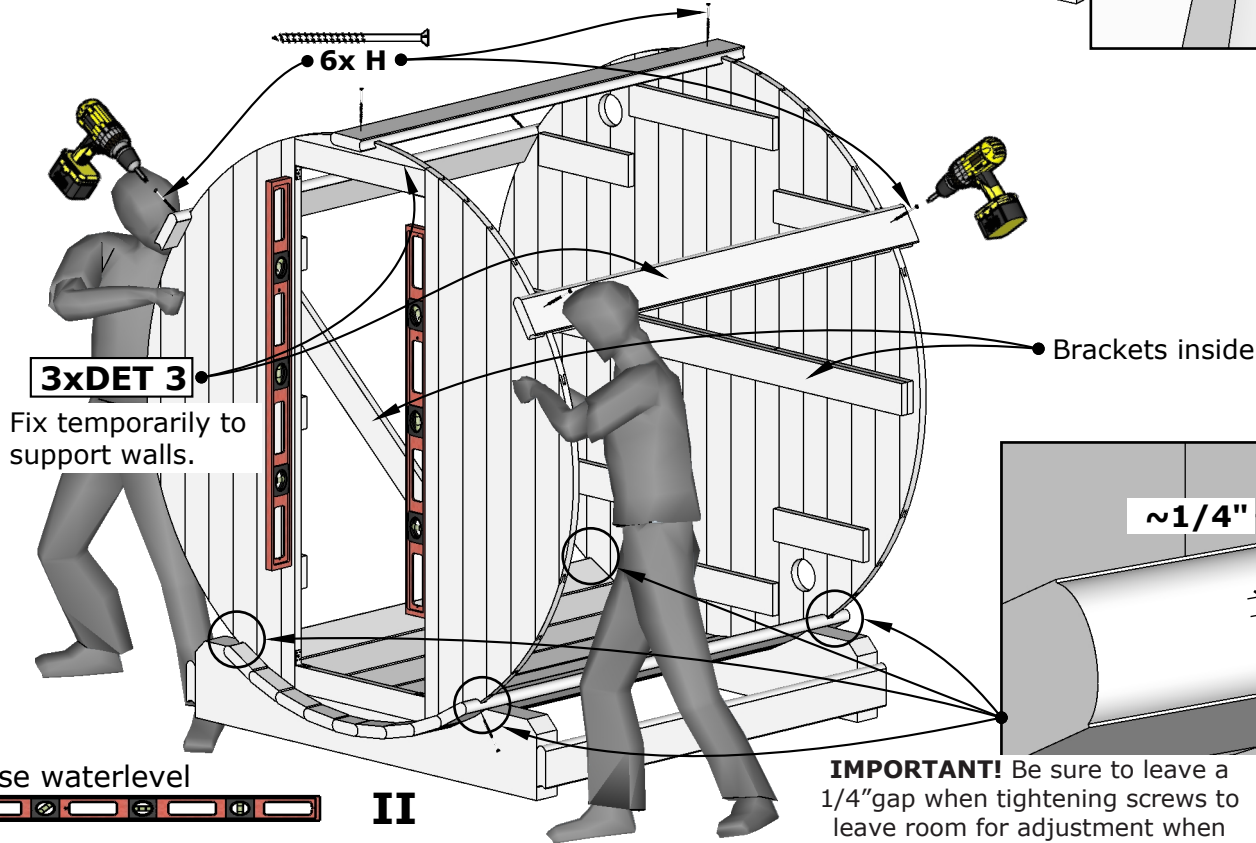
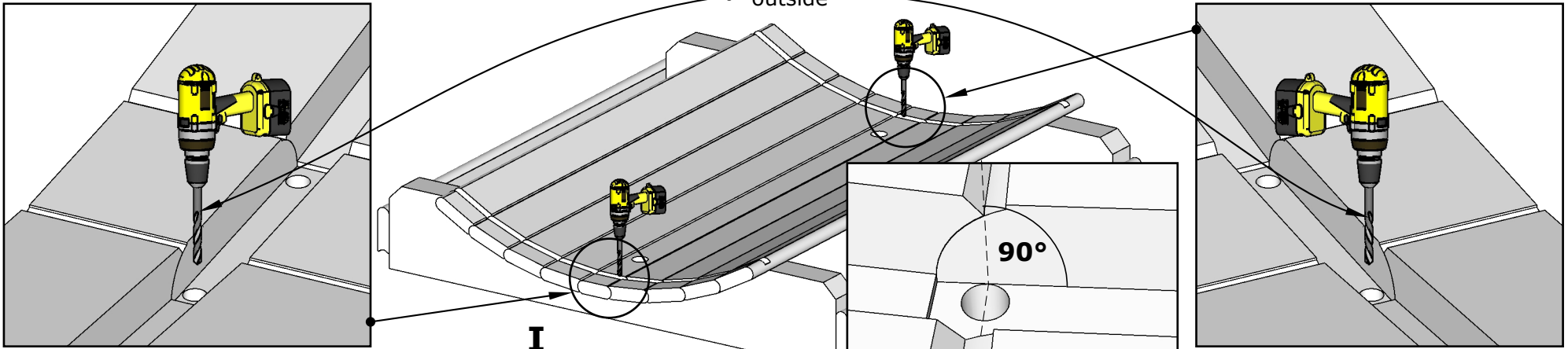


E6 Barrel Sauna 59D" x 81H"

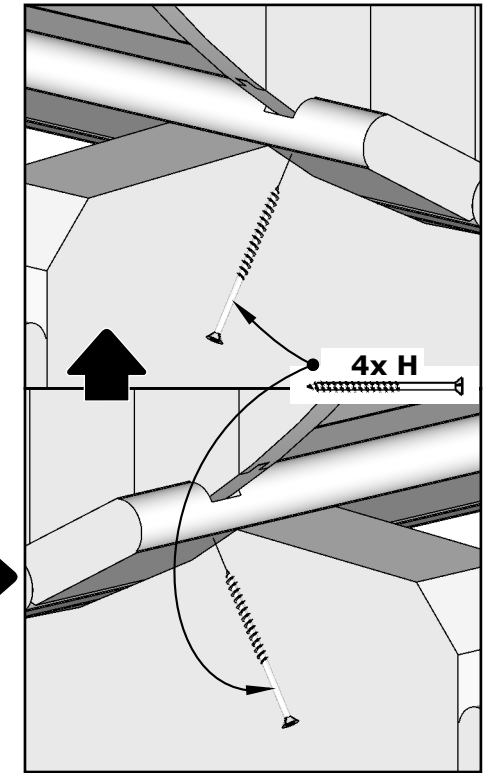


E6 Barrel Sauna 59D" x 81H"

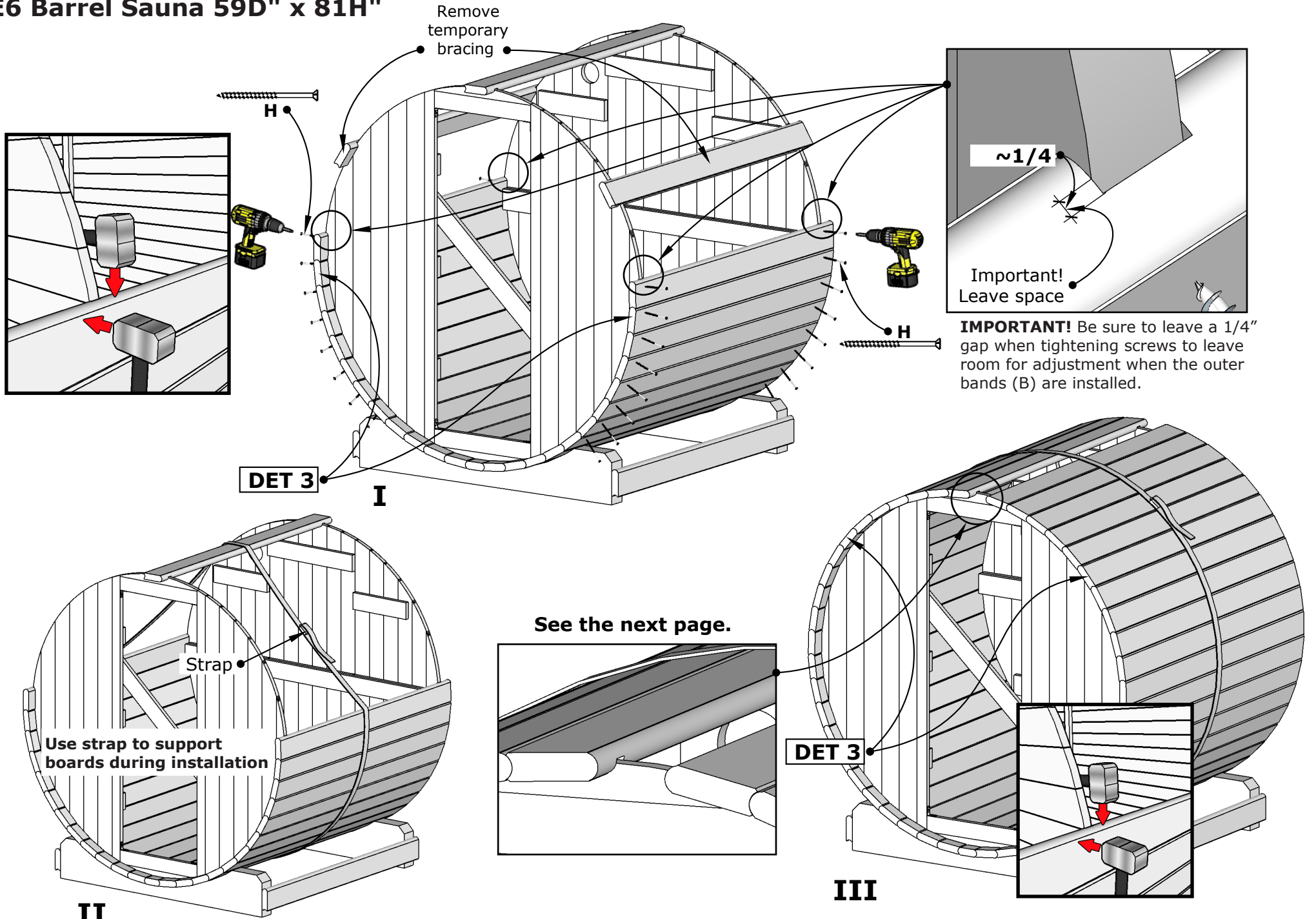
Drill 4 holes $\varnothing 1/2"$
through DET 2
outside



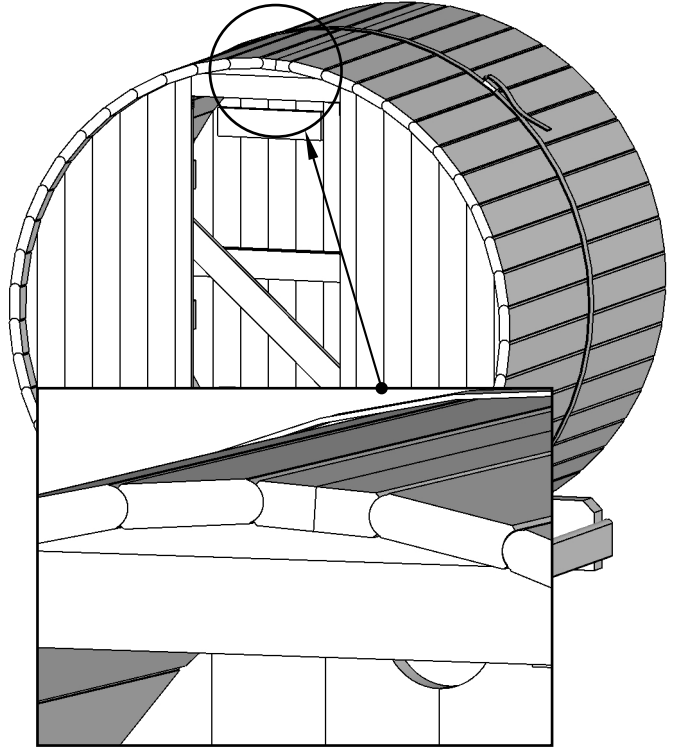
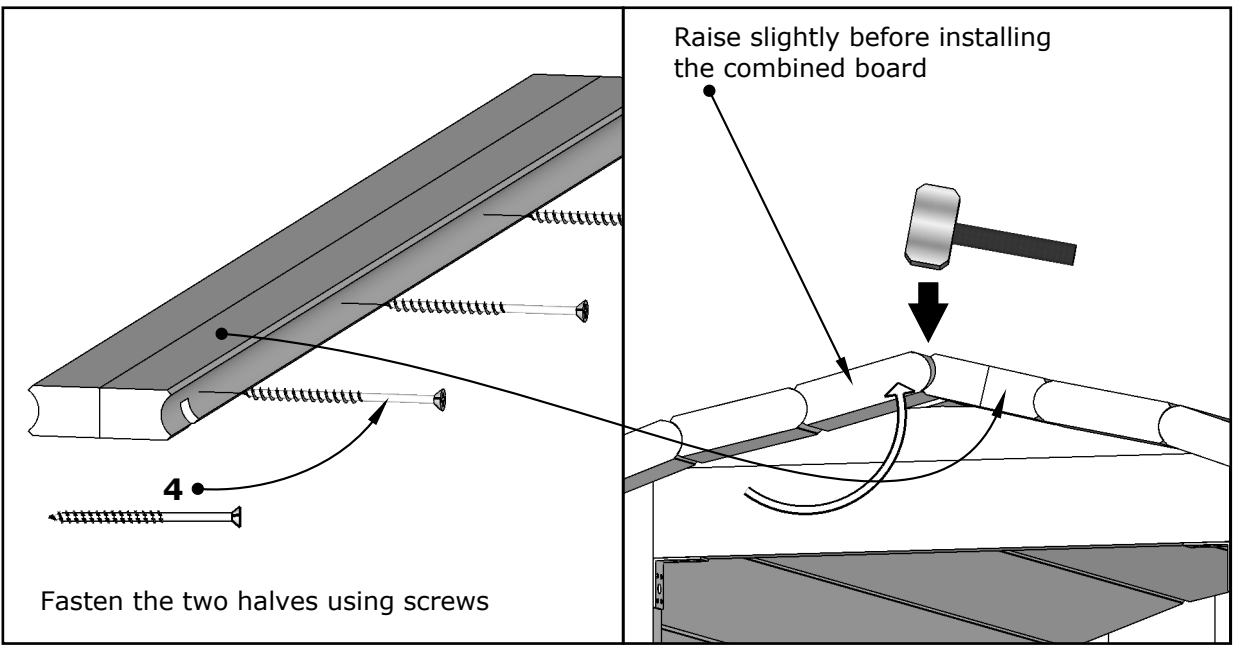
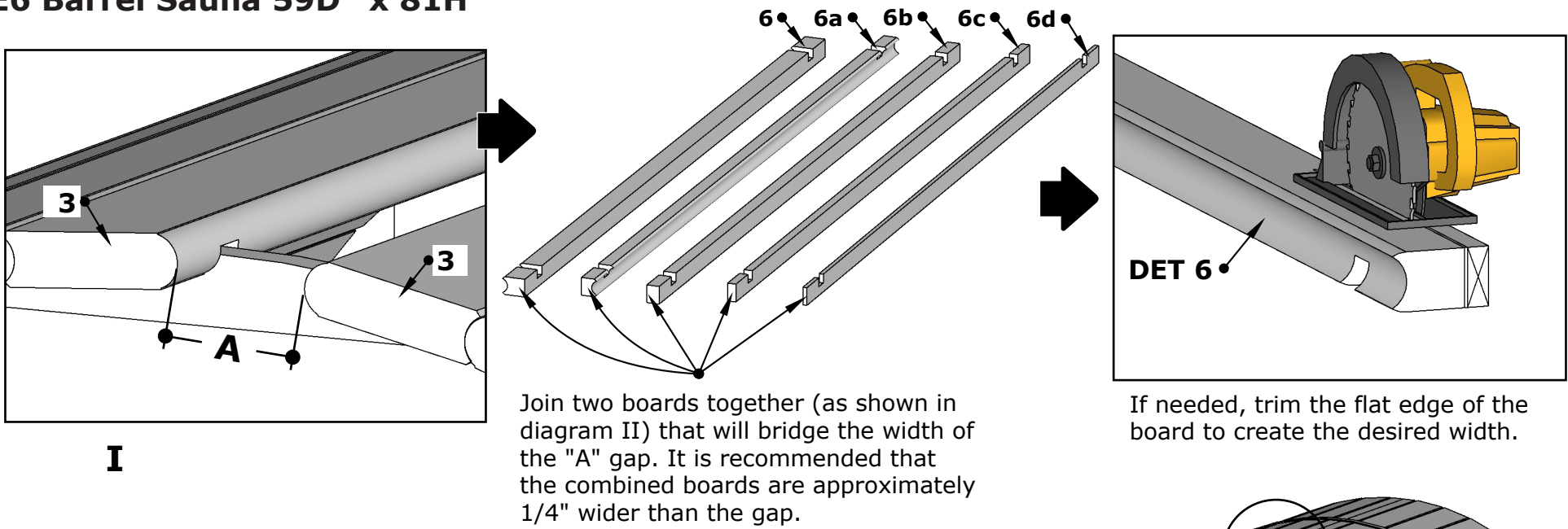
IMPORTANT! Be sure to leave a $1/4"$ gap when tightening screws to leave room for adjustment when the outer bands (B) are installed.



E6 Barrel Sauna 59D" x 81H"



E6 Barrel Sauna 59D" x 81H"

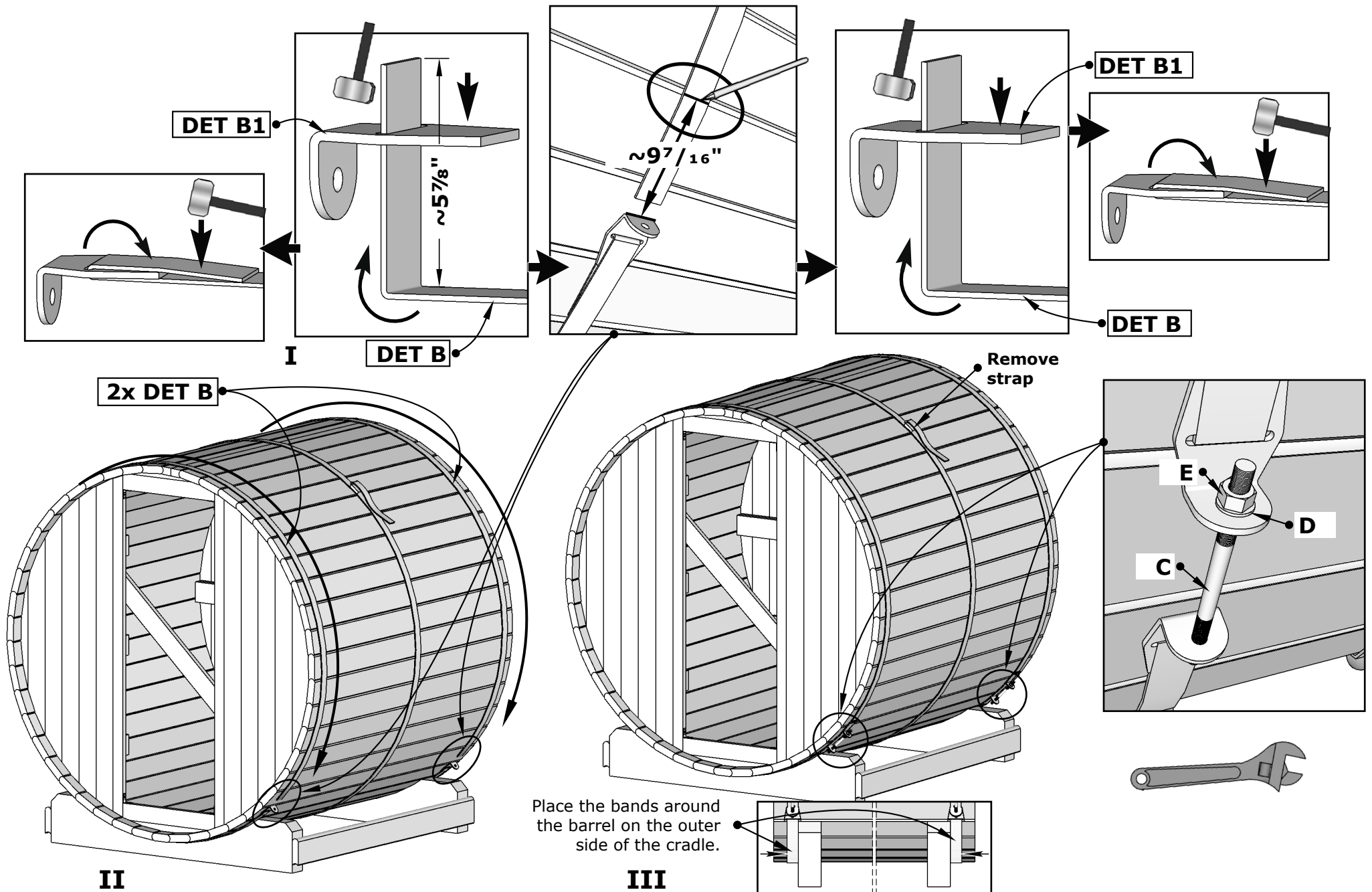


6.

II

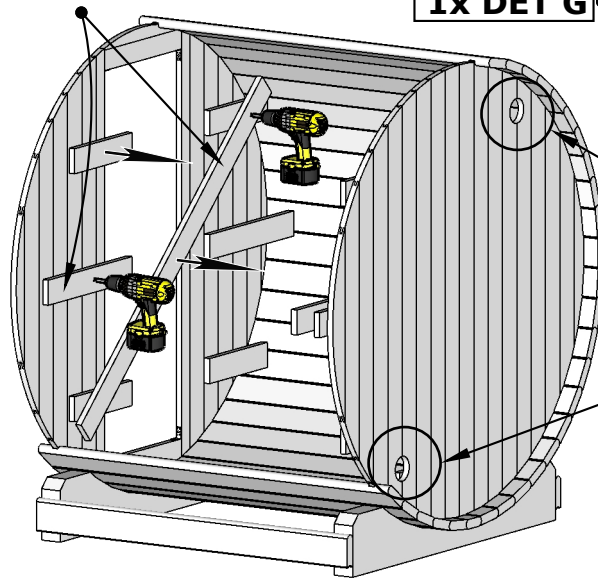
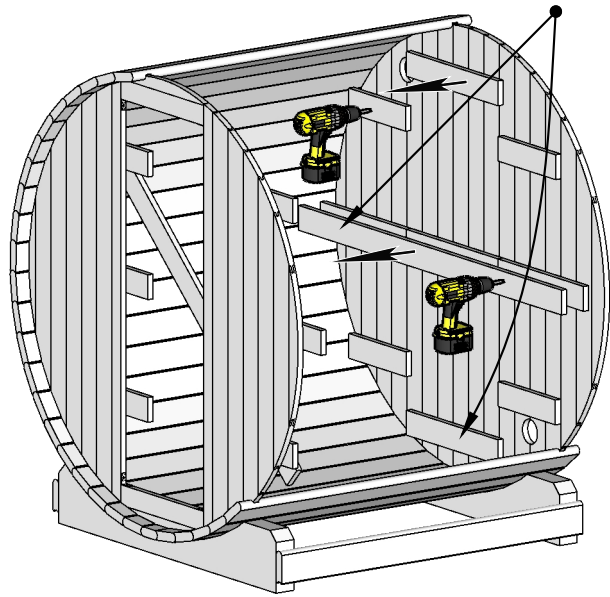
III

E6 Barrel Sauna 59D" x 81H"

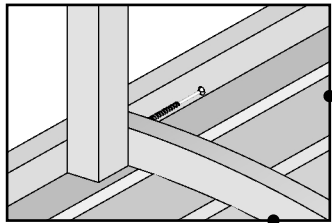
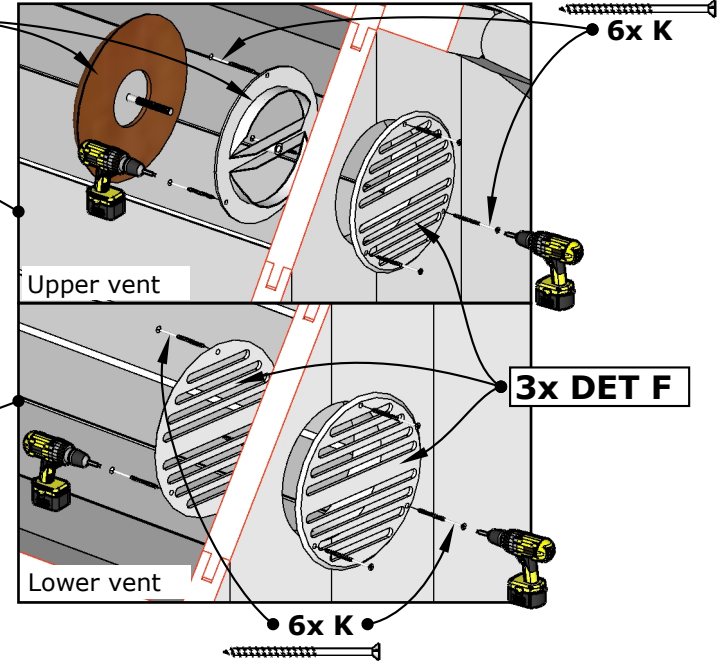


E6 Barrel Sauna 59D" x 81H"

Remove all temporary braces



1x DET G

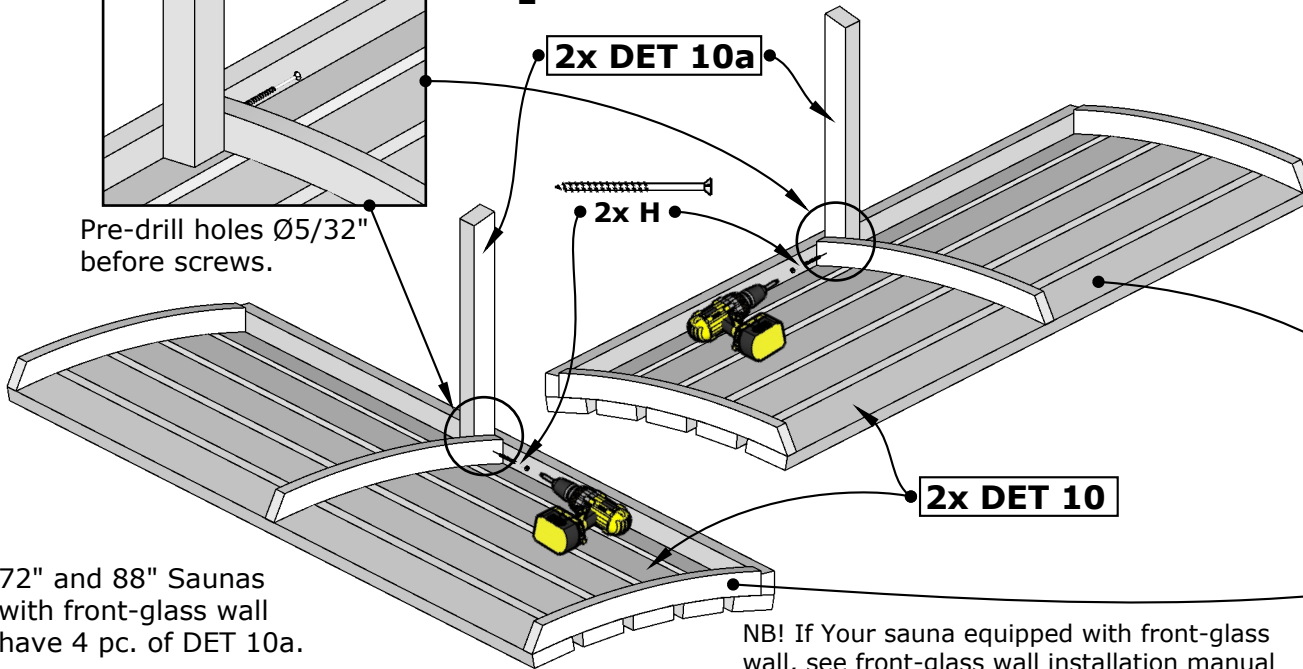


Pre-drill holes Ø5/32" before screws.

I

2x DET 10a

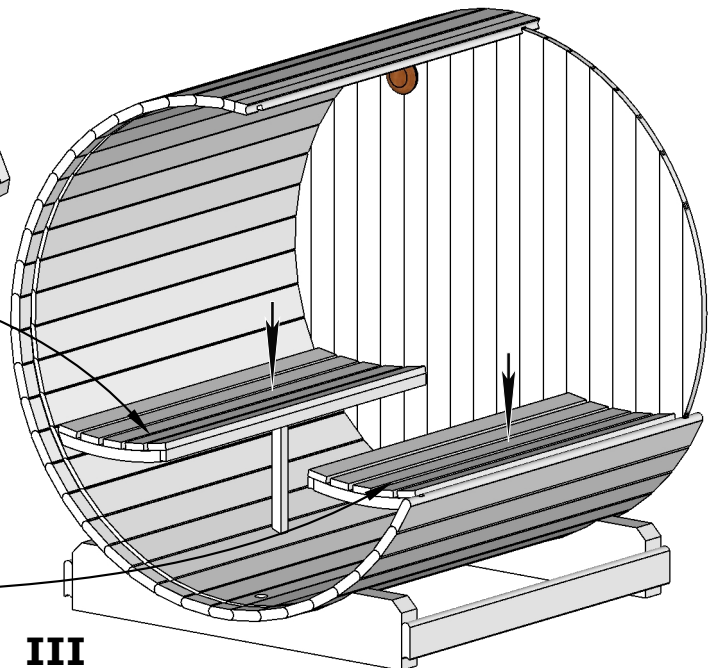
2x H



2x DET 10

72" and 88" Saunas with front-glass wall have 4 pc. of DET 10a.

NB! If Your sauna equipped with front-glass wall, see front-glass wall installation manual for proper benches installation.

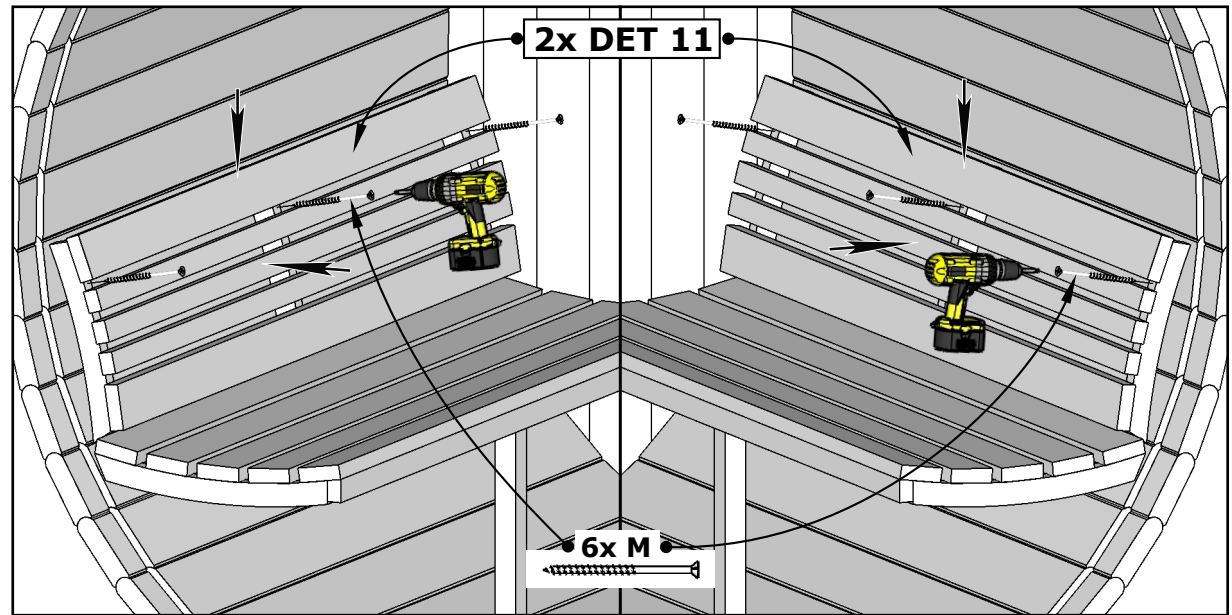
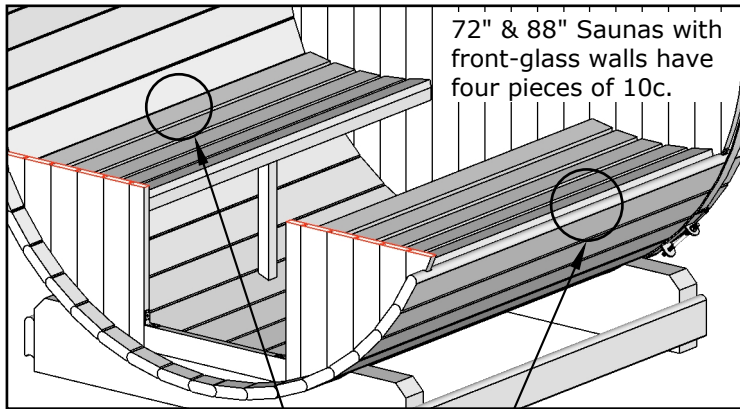
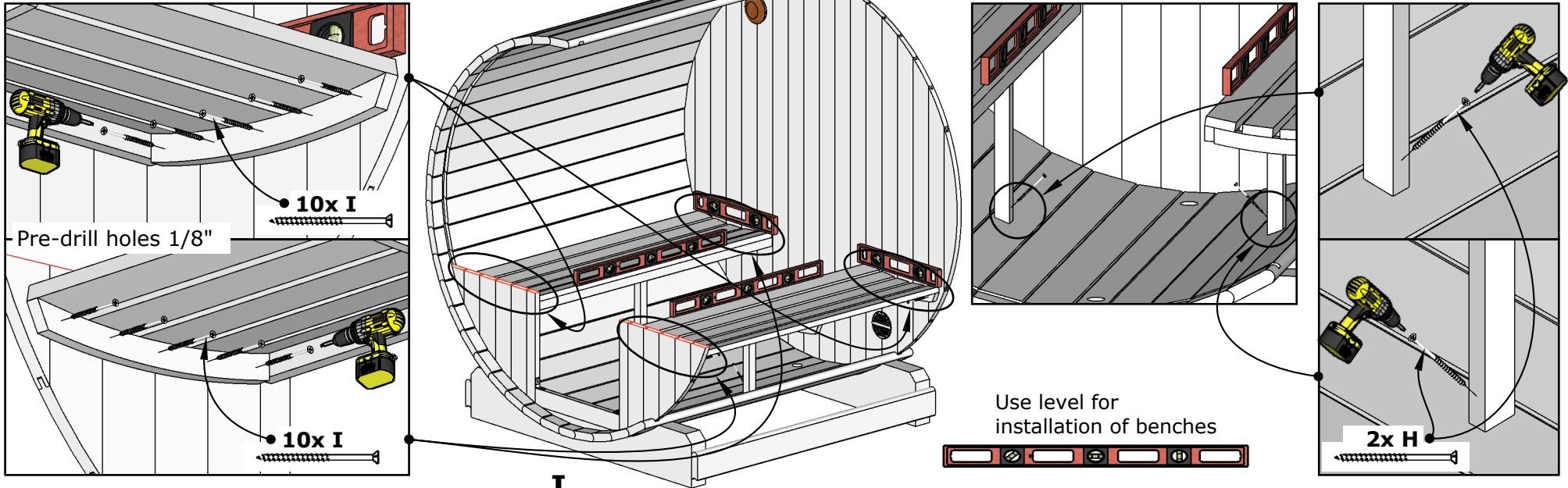


III

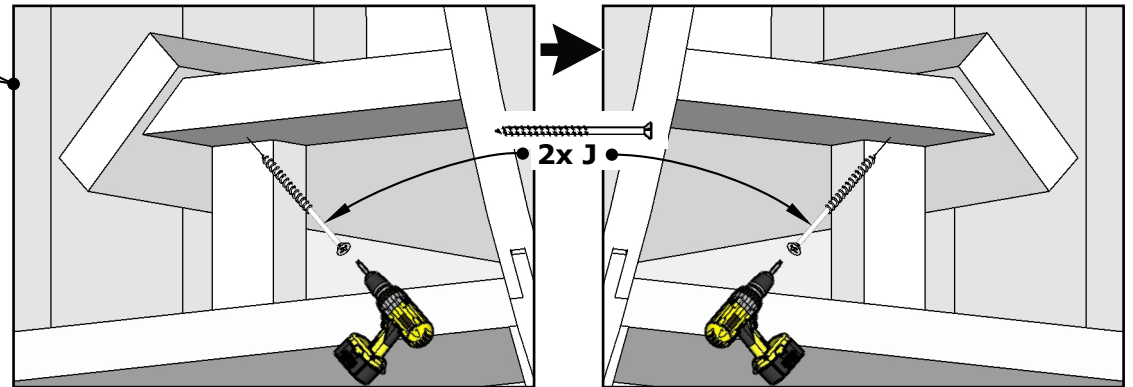
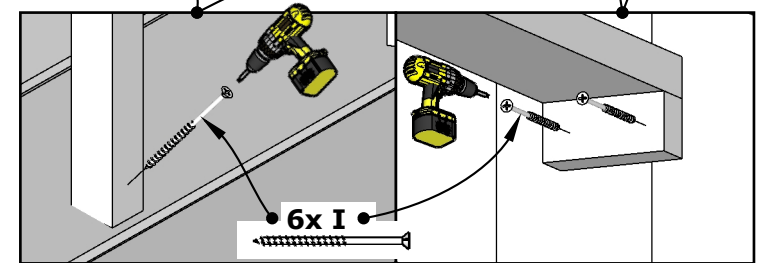
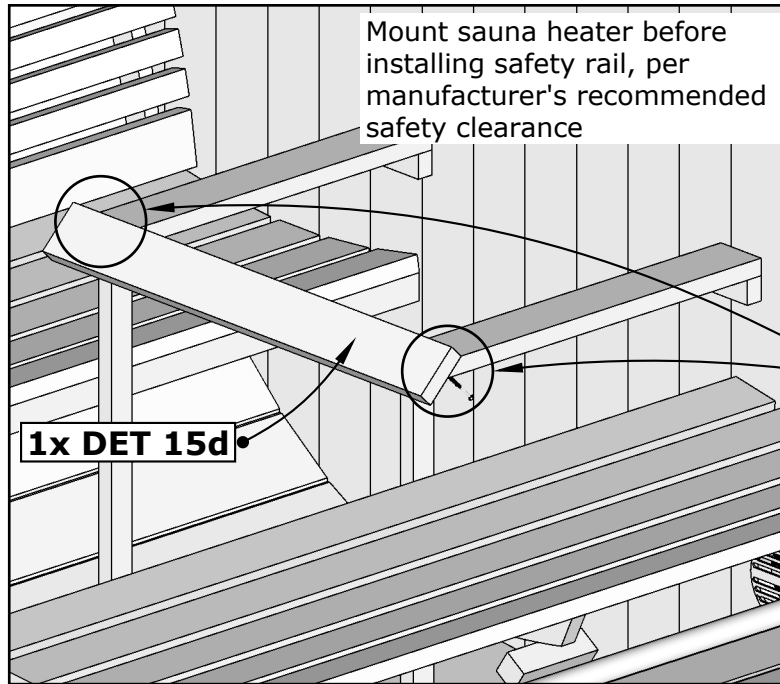
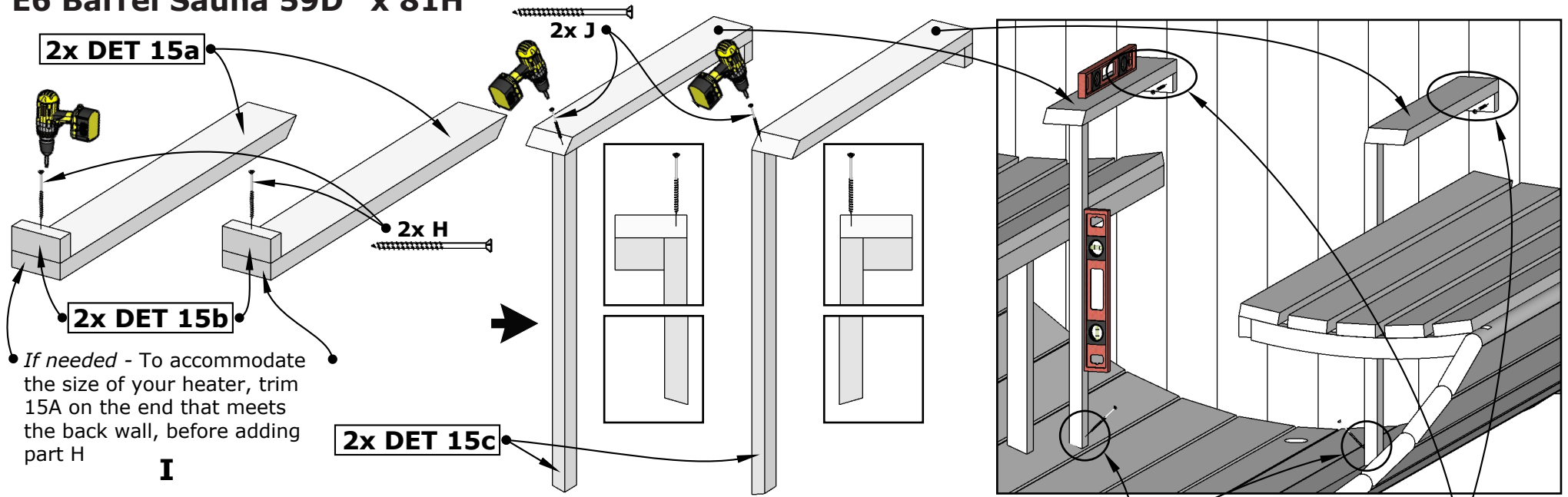
8.

II

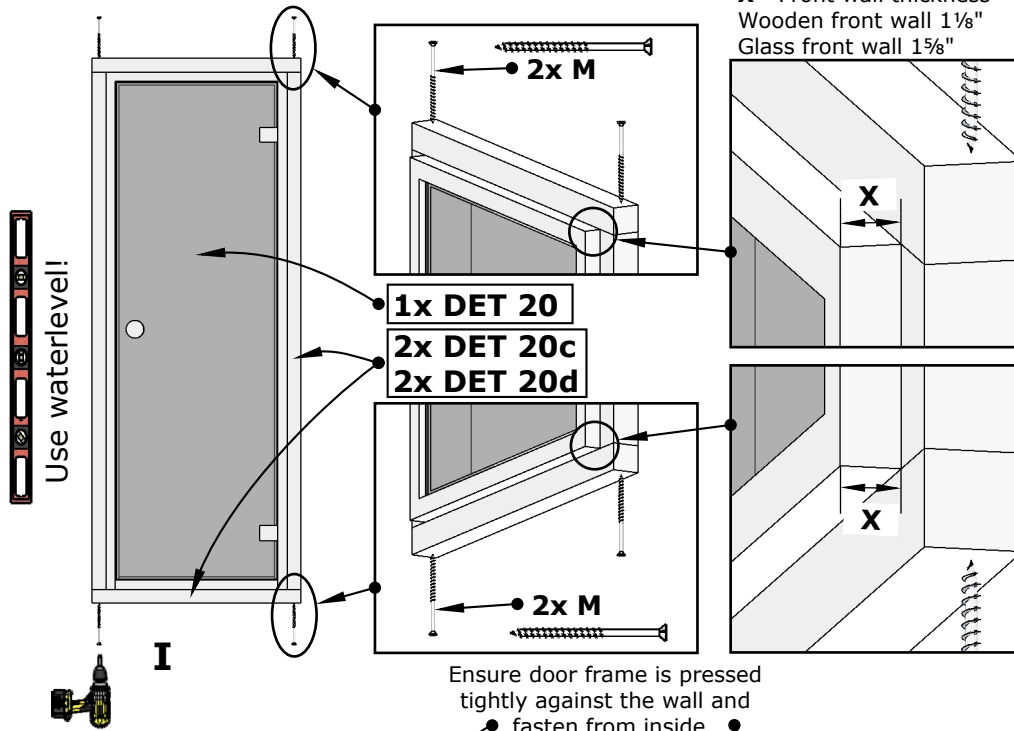
E6 Barrel Sauna 59D" x 81H"



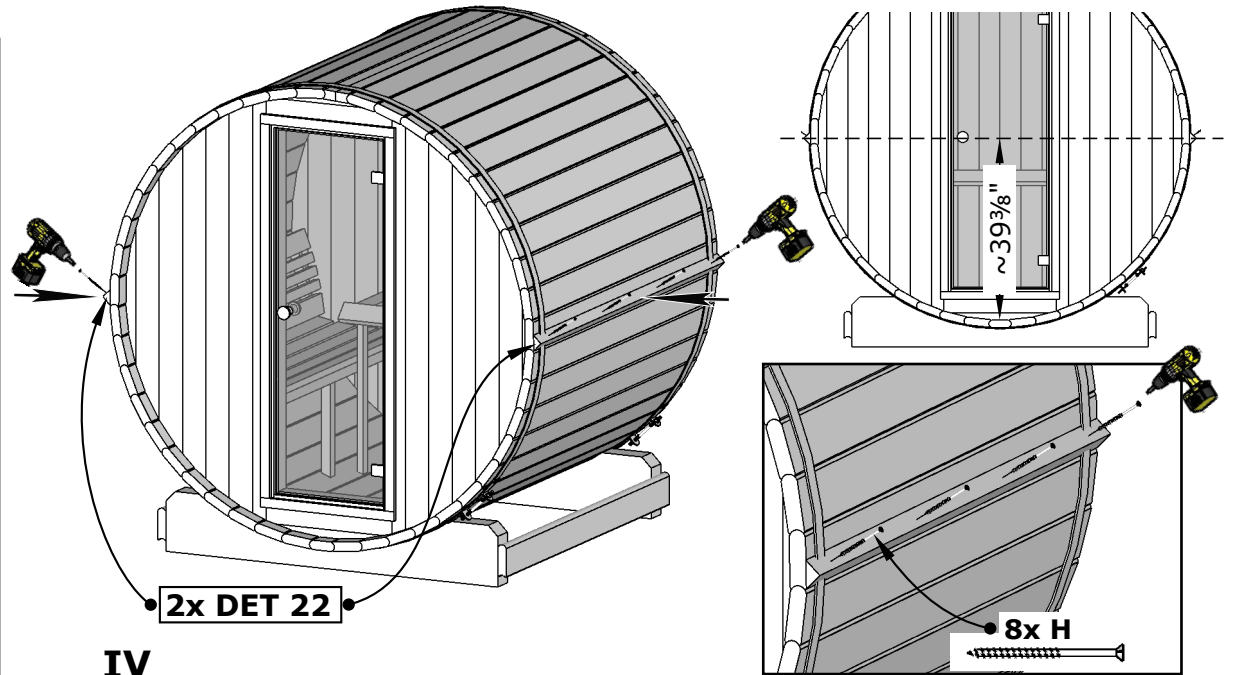
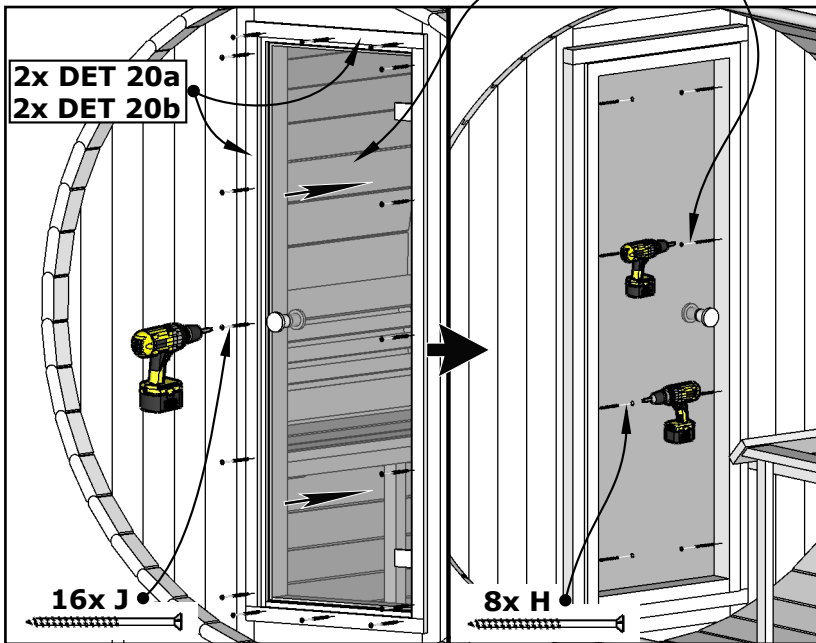
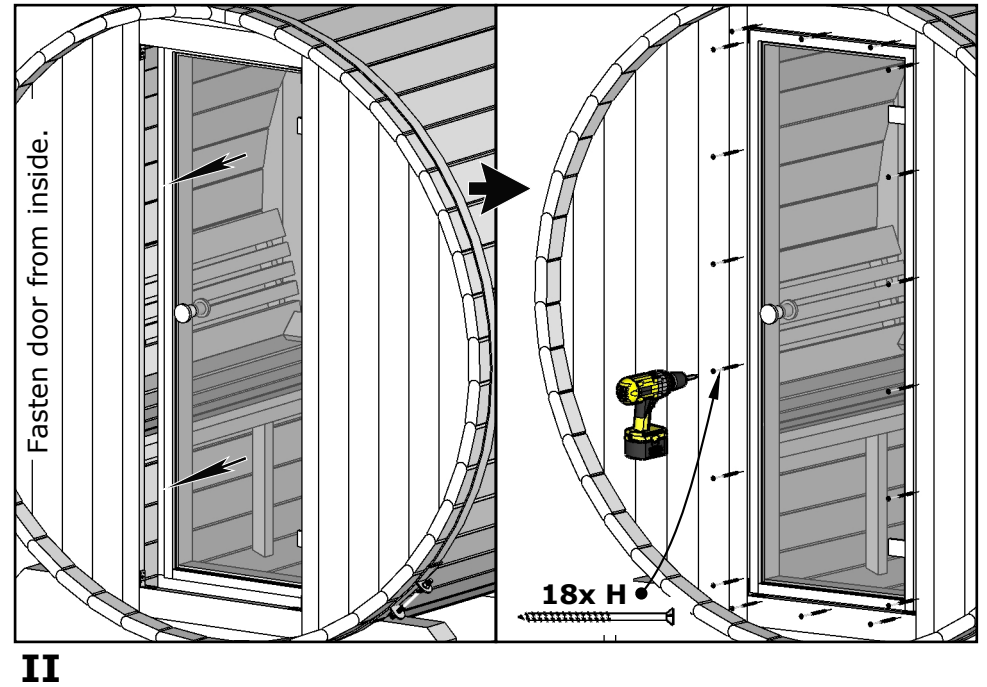
E6 Barrel Sauna 59D" x 81H"



E6 Barrel Sauna 59D" x 81H"

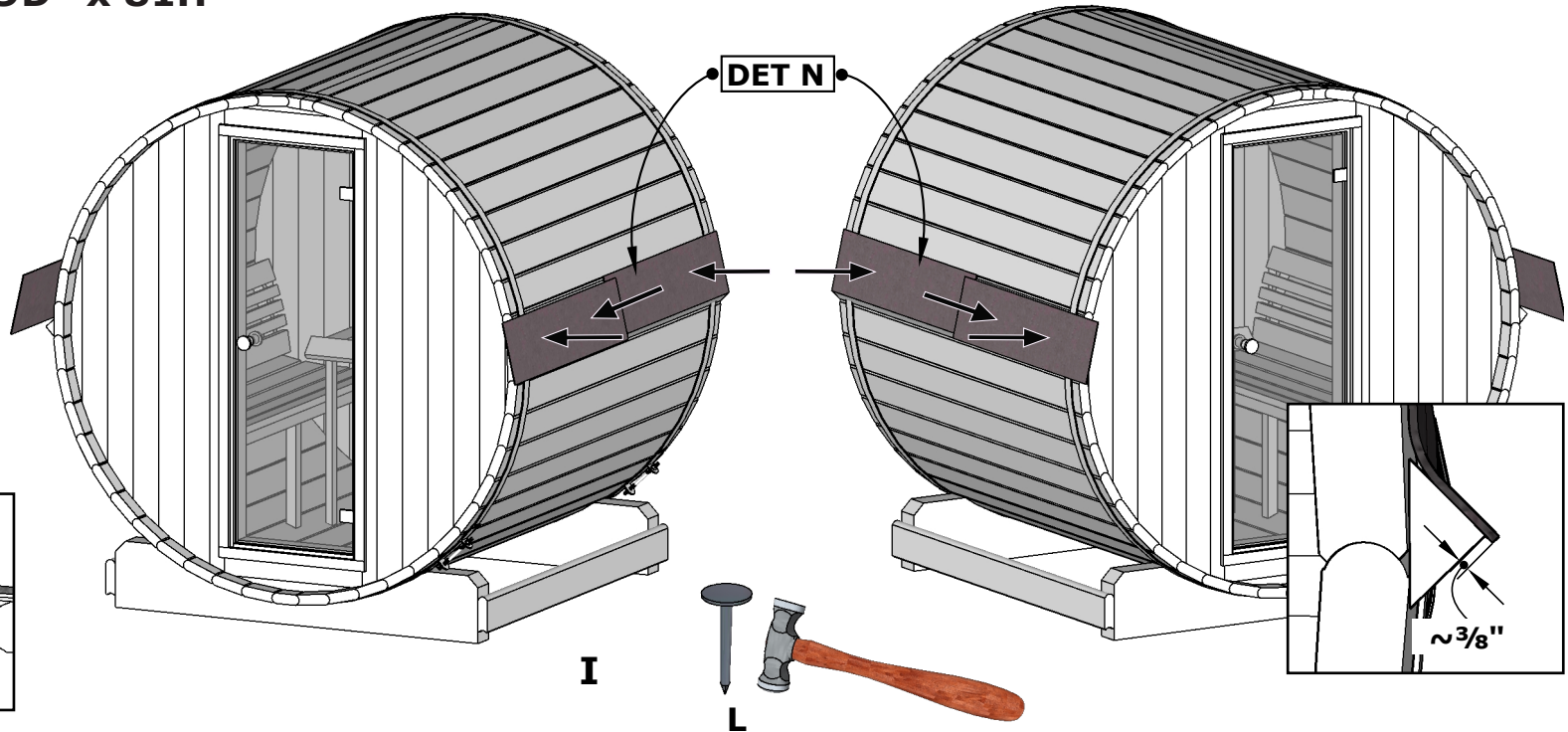
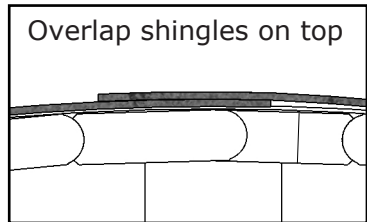


Ensure door frame is pressed tightly against the wall and fasten from inside

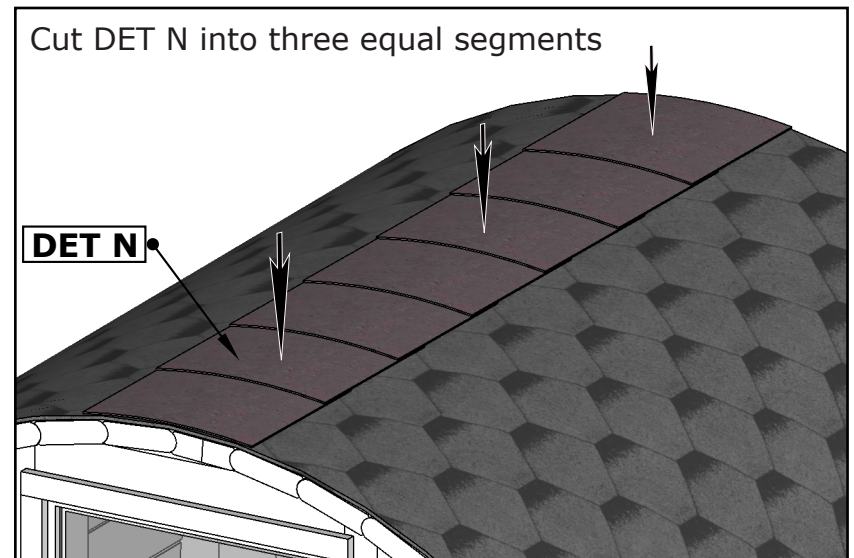
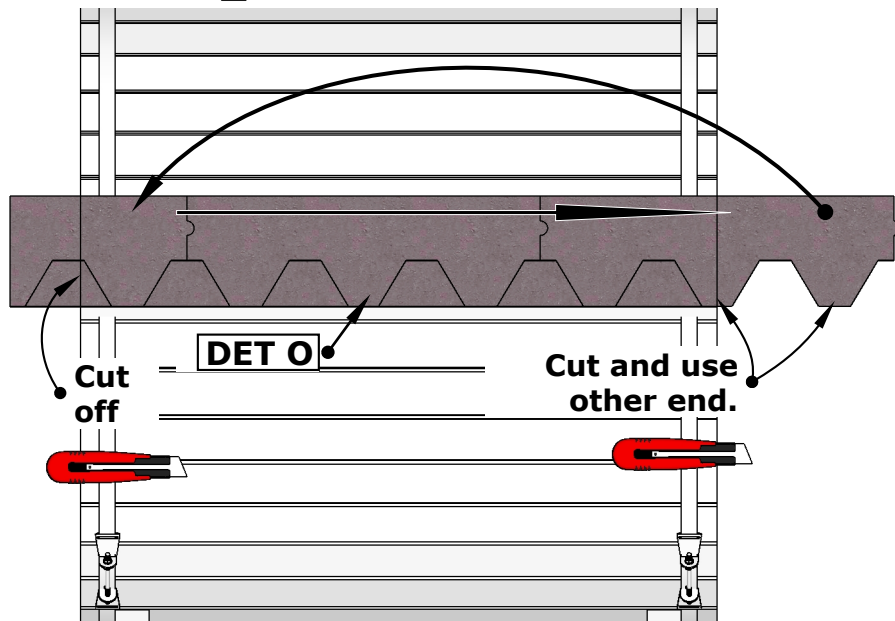


E6 Barrel Sauna 59D" x 81H"

See the installation manual inside the shingles package



Check also roof shingles installation manual inside package.



E6 Barrel Sauna 59D" x 81H"

