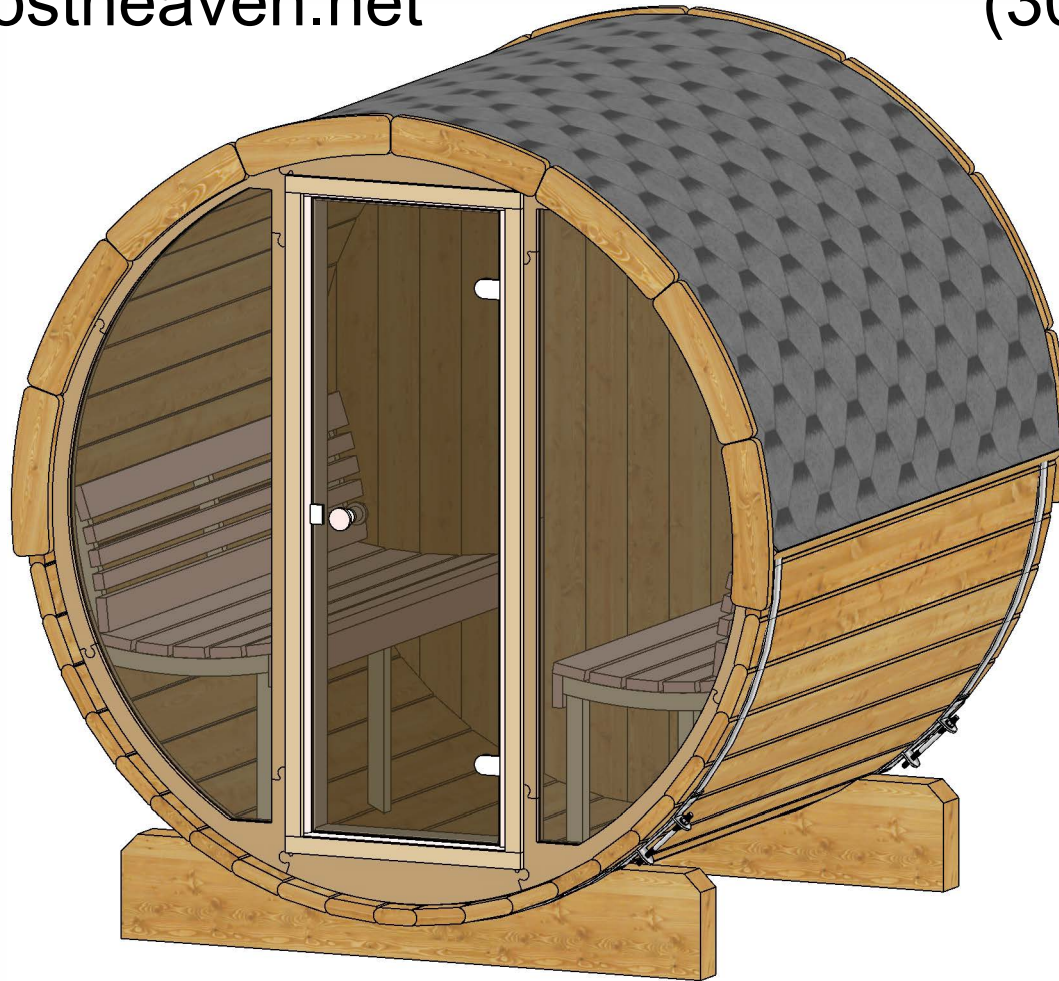




Ergo-Series E7G Barrel Sauna
Full Glass Front 71D" x 81H"

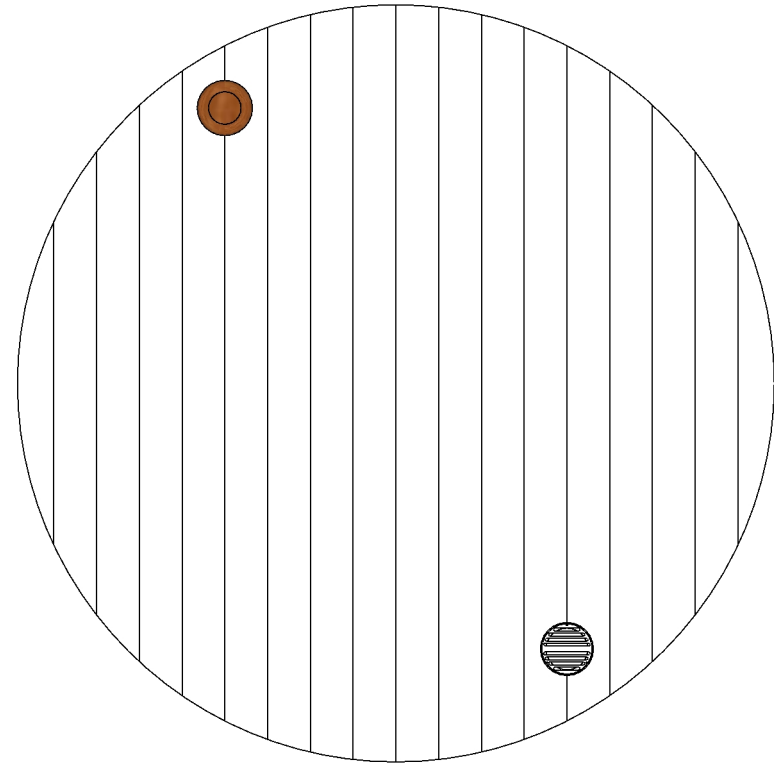
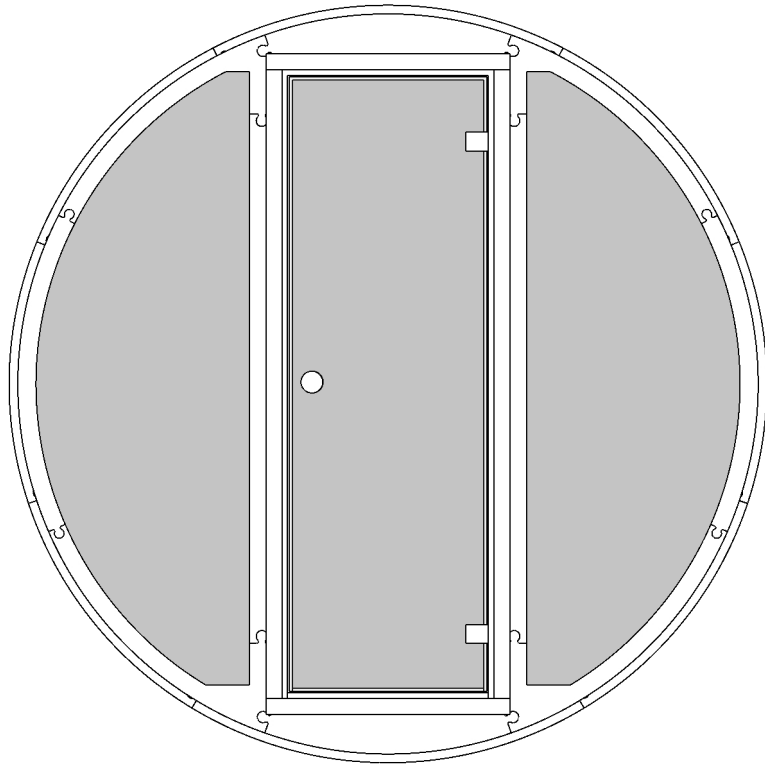
Almost Heaven Group LLC - <https://www.almostheaven.net>
sales@almostheaven.net (304) 645-2310



Note: Please read manual before construction

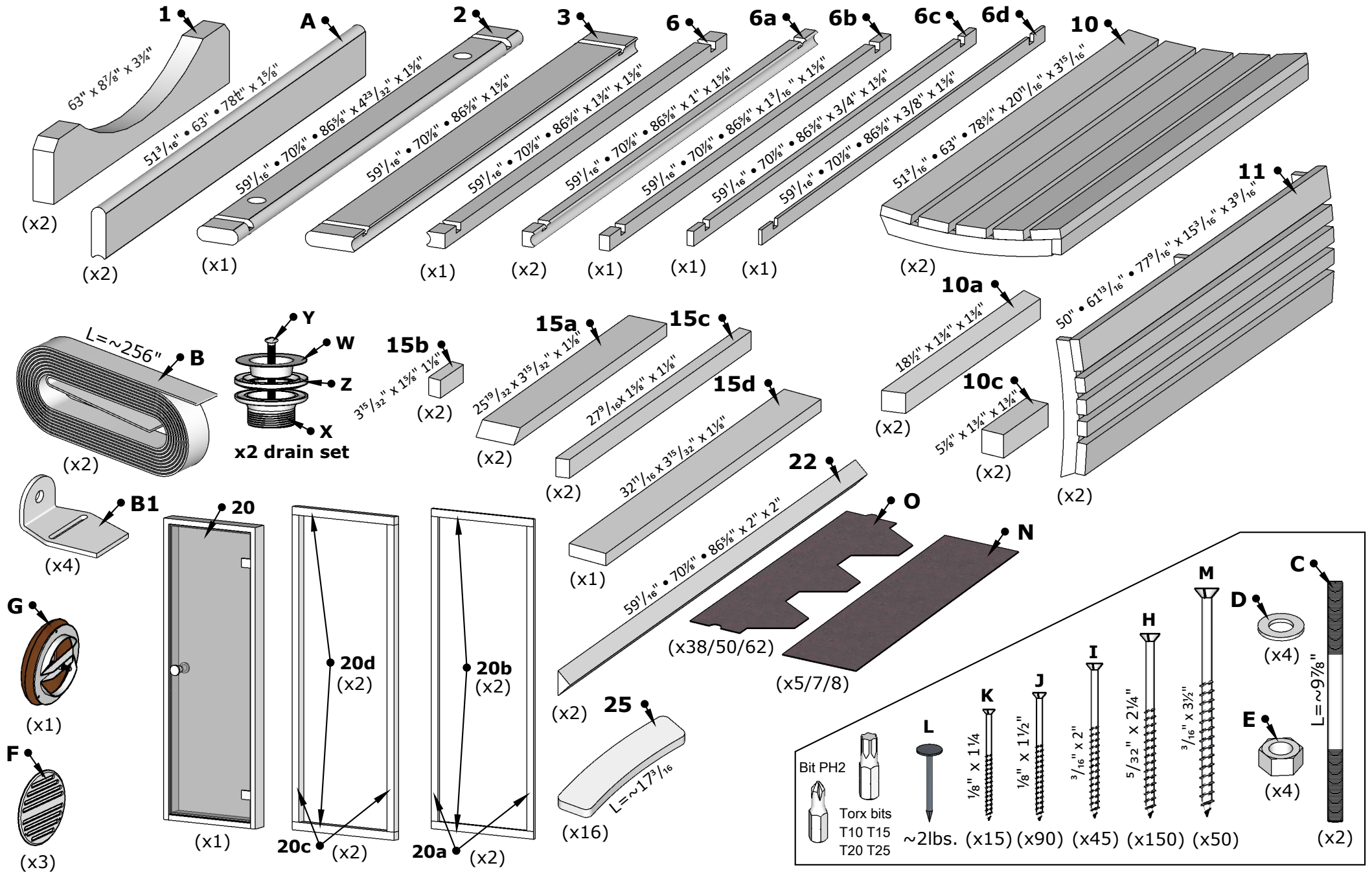
Rev 4/2023

Front & Back Walls



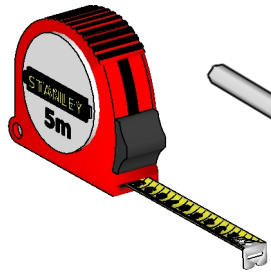
E7G Barrel Sauna 71D" x 81H"

Details list.

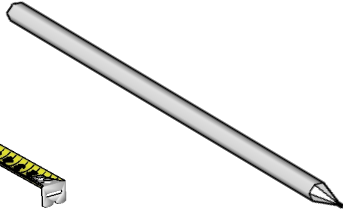


- Bit PH2**
 Torx bits
 T10 T15
 T20 T25
- L** $\sim 2\text{lbs.}$
K $\frac{1}{8}'' \times 1\frac{1}{4}''$
J $\frac{1}{8}'' \times 1\frac{1}{2}''$
I $\frac{3}{16}'' \times 2''$
H $\frac{5}{32}'' \times 2\frac{1}{4}''$
M $\frac{3}{16}'' \times 3\frac{1}{2}''$
- C** (x4)
D (x4)
E (x4)
L $\sim 9\frac{7}{8}''$ (x2)

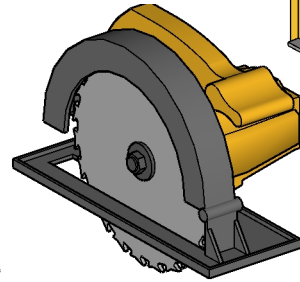
Tools needed



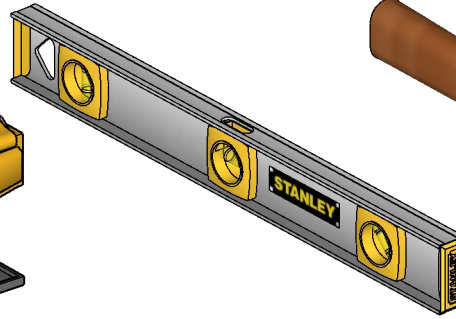
Measuring tape



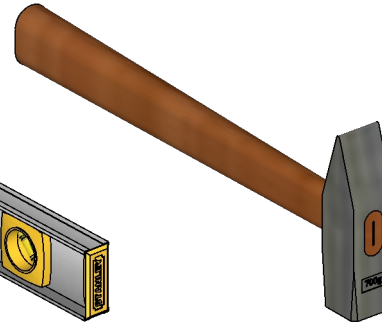
Marker pen



Circular saw



Water level



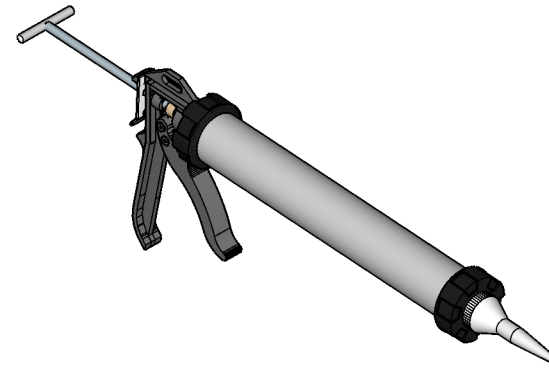
Hammer



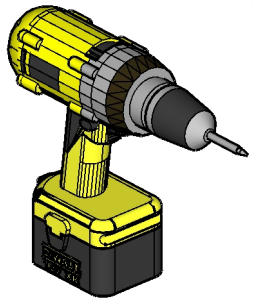
Extra hands



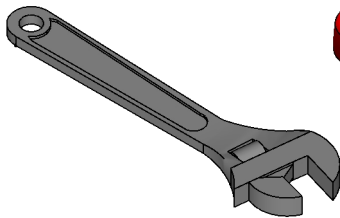
Ratchet strap



Silicone gun
(Only glass-wall models)



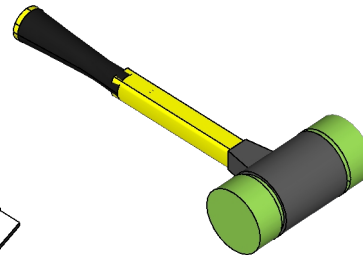
Drill



Crescent wrench

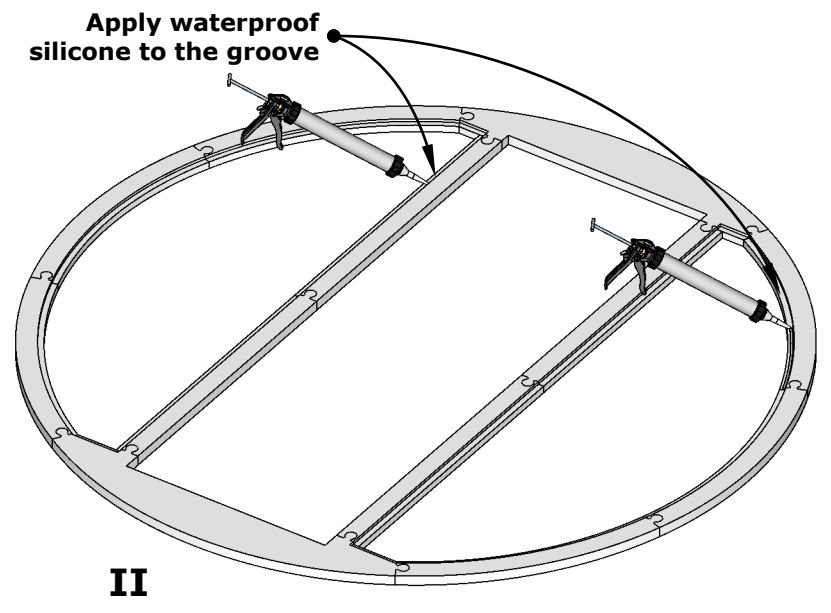
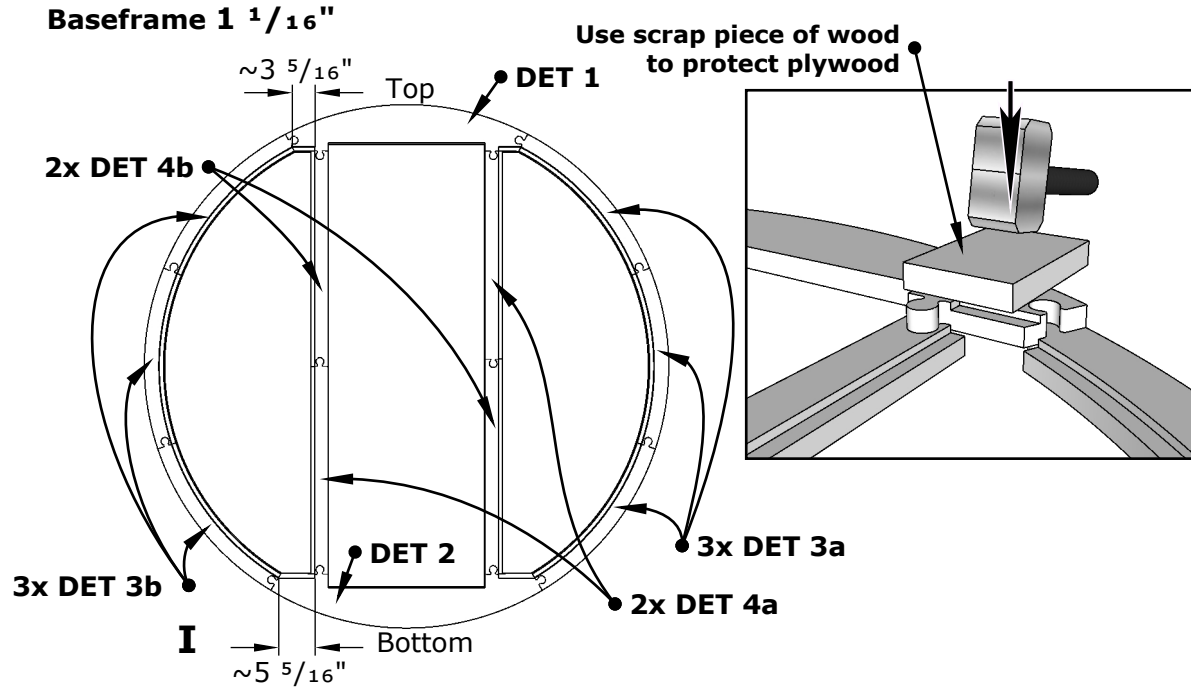
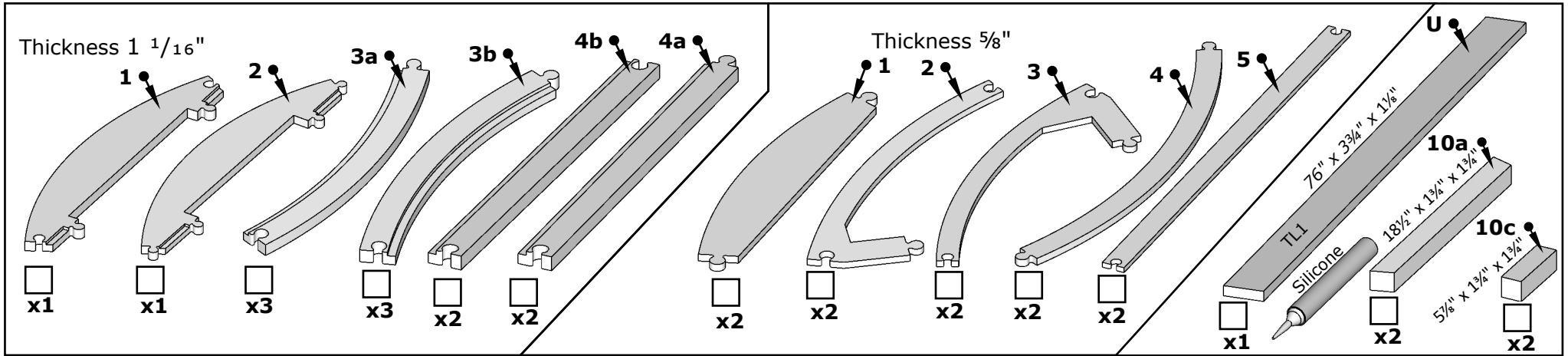


Utility knife



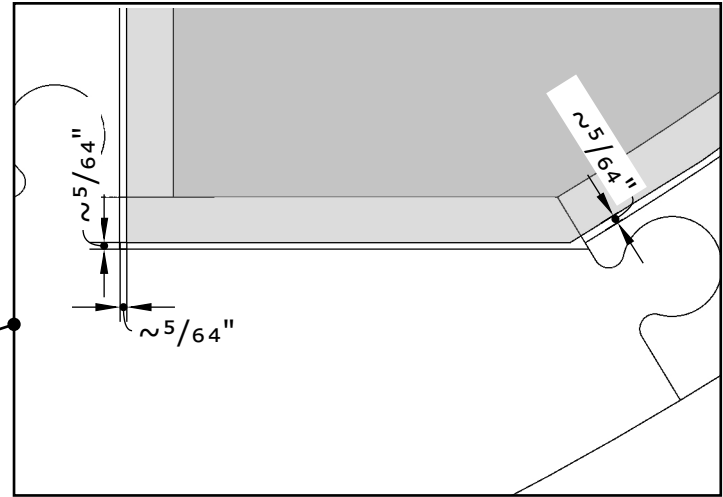
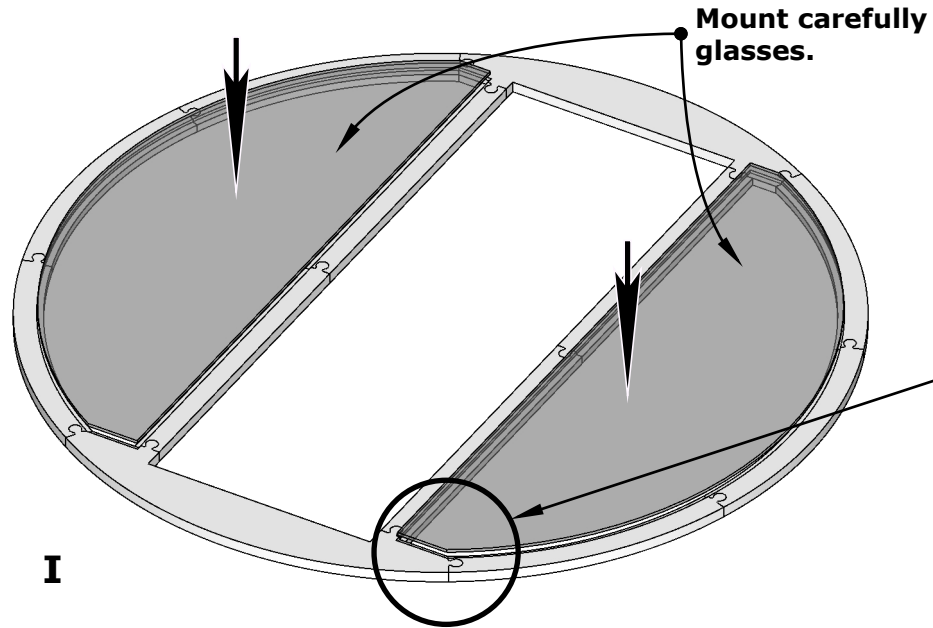
Rubber mallet

Front glass wall installation

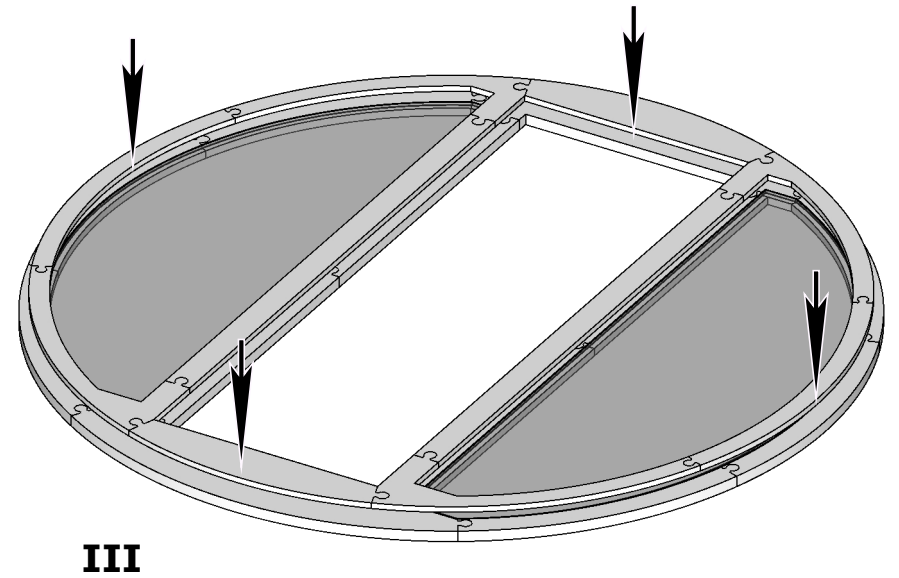
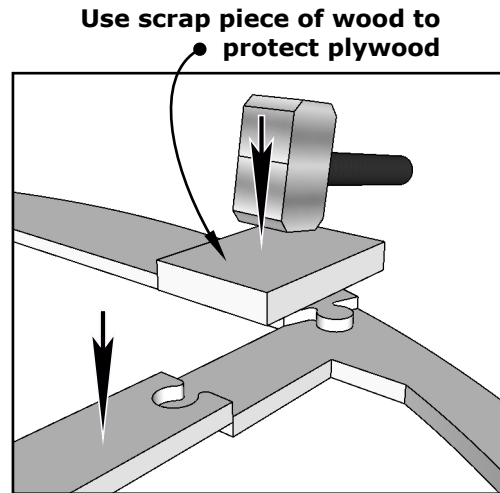
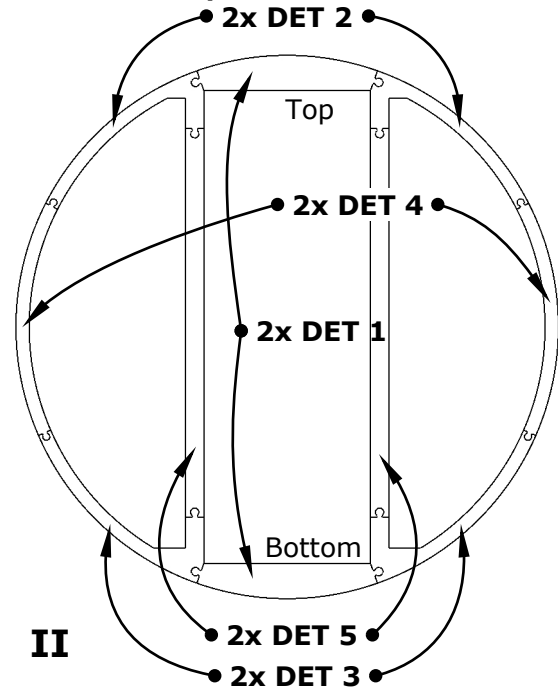


1.

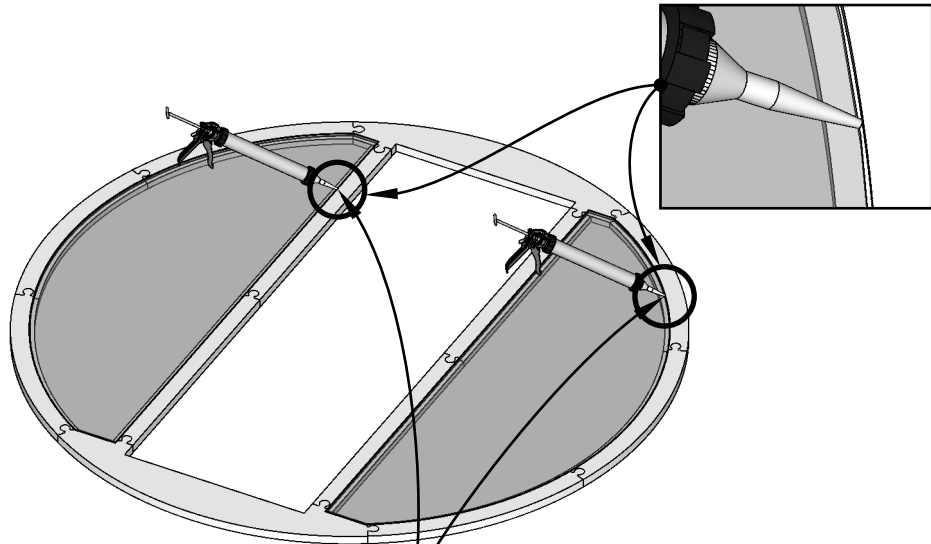
Front glass wall installation



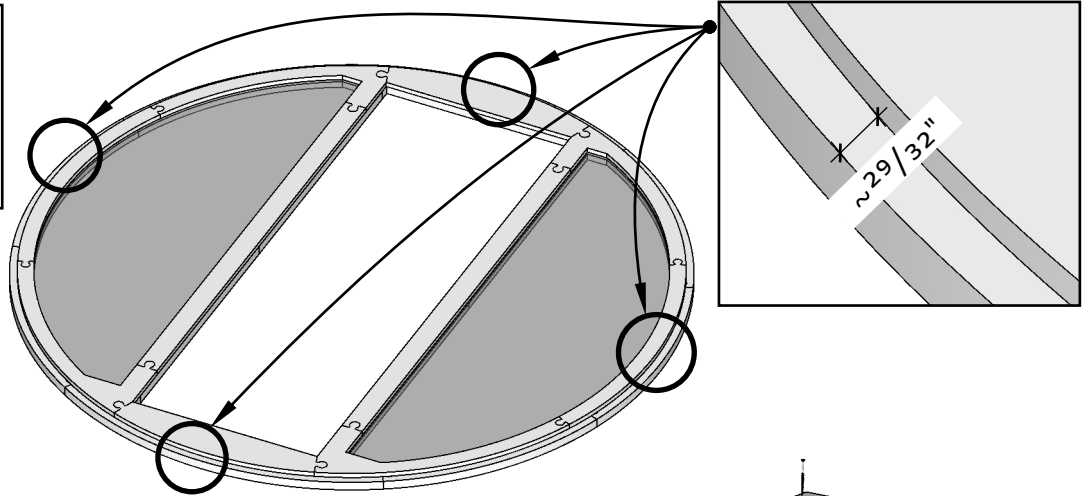
Coverframe $19/32''$



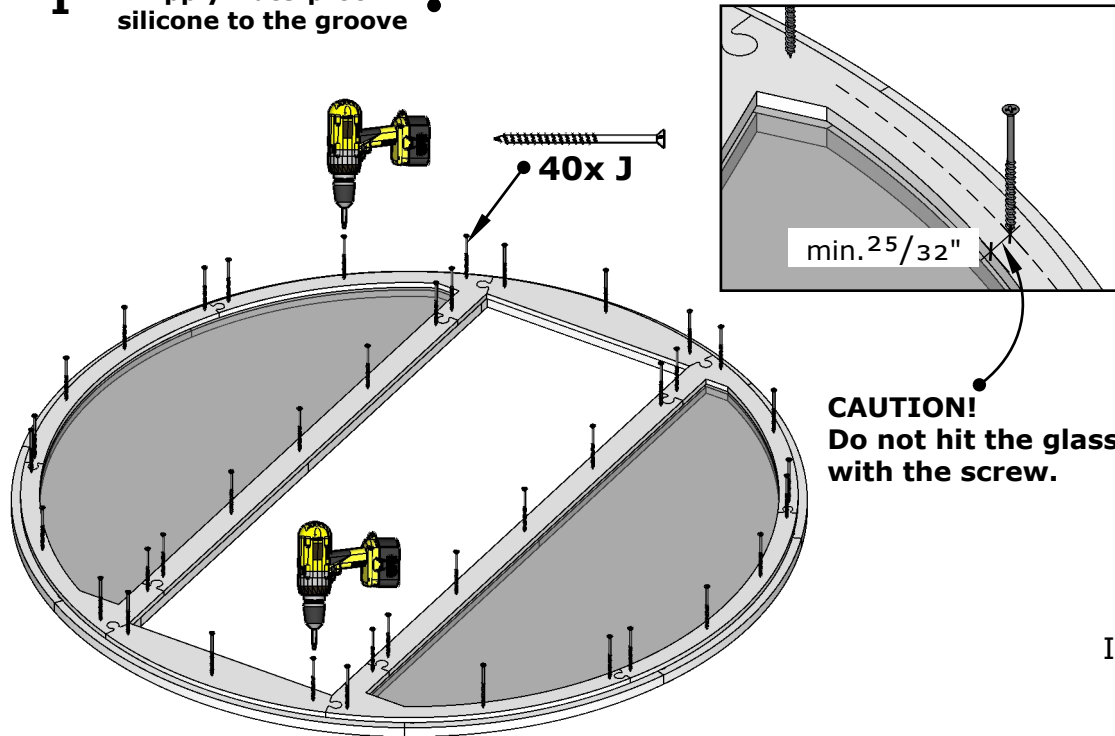
Front glass wall installation



I Apply waterproof silicone to the groove

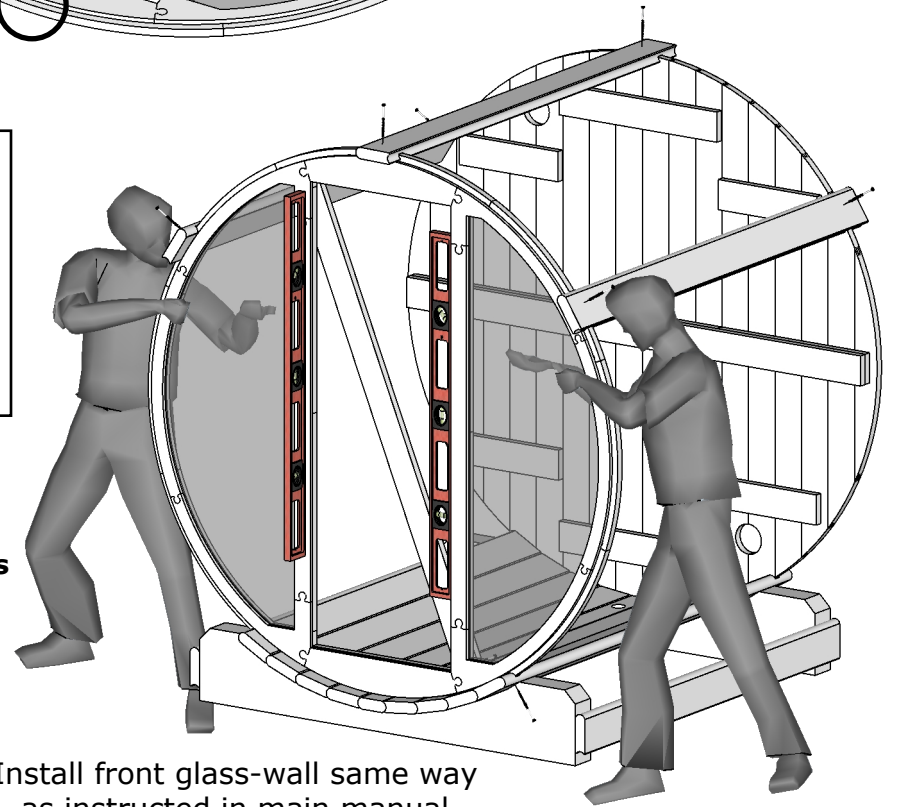


II



CAUTION!
Do not hit the glass with the screw.

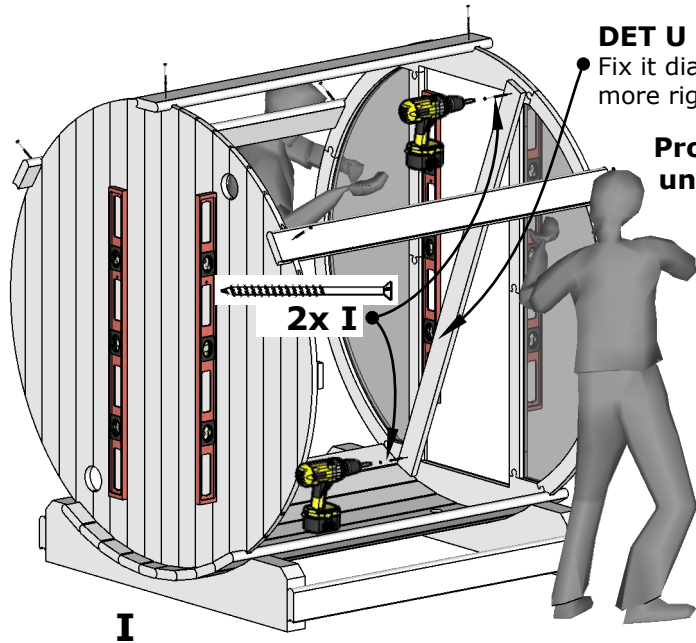
III



Install front glass-wall same way as instructed in main manual.

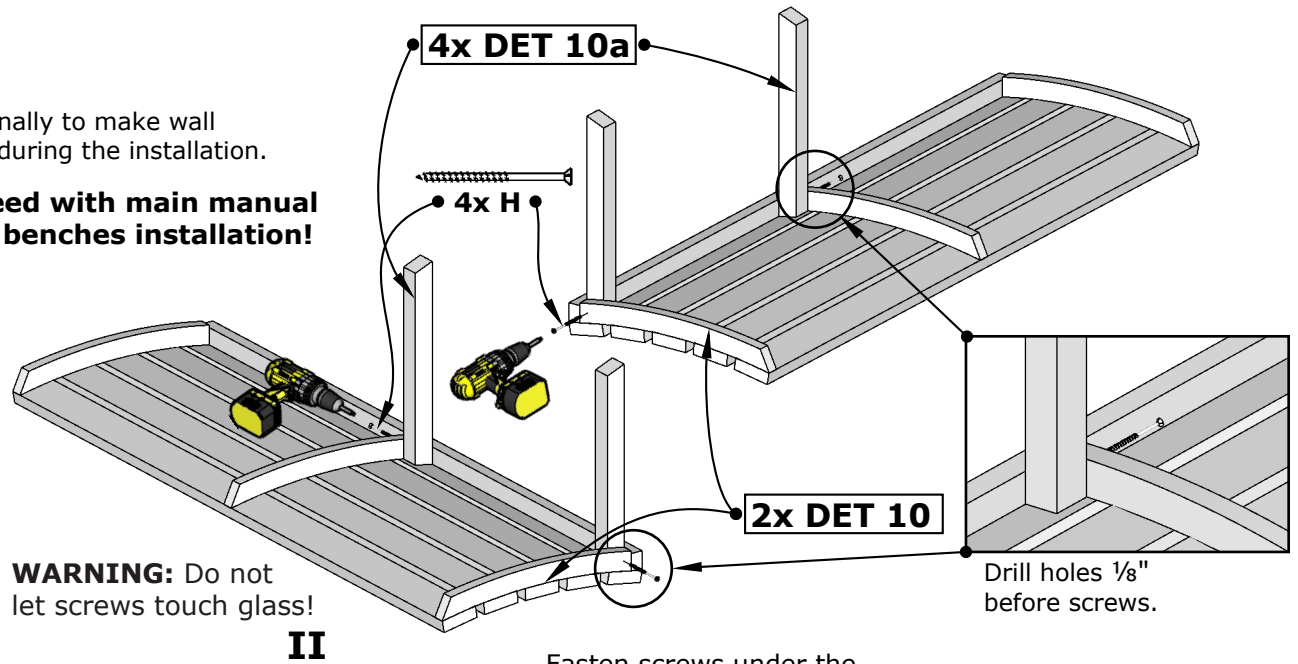
IV

Front glass wall installation

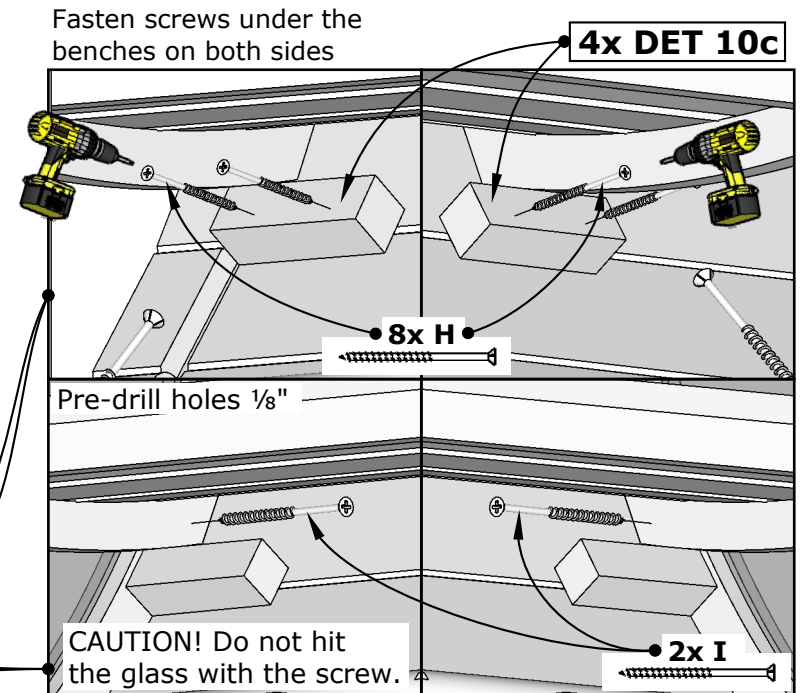
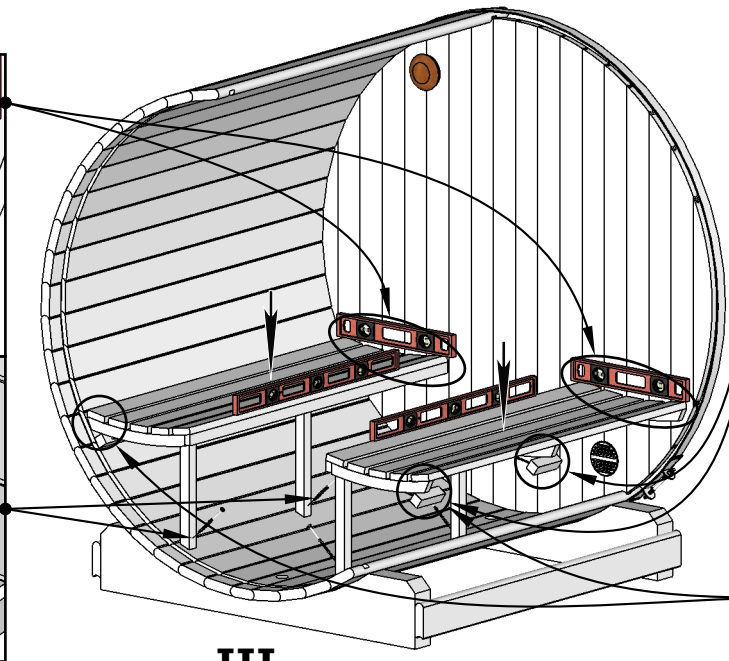
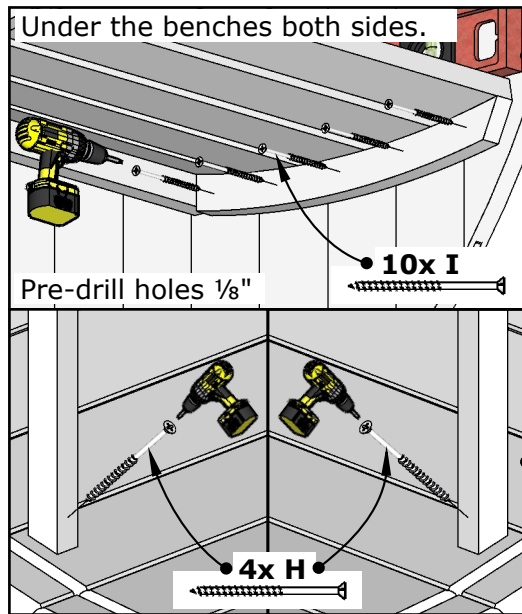


DET U
 Fix it diagonally to make wall more rigid during the installation.

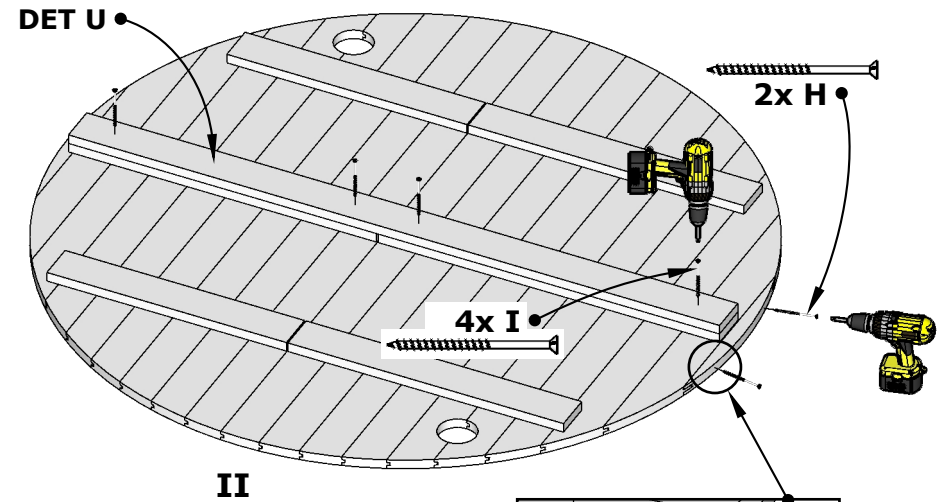
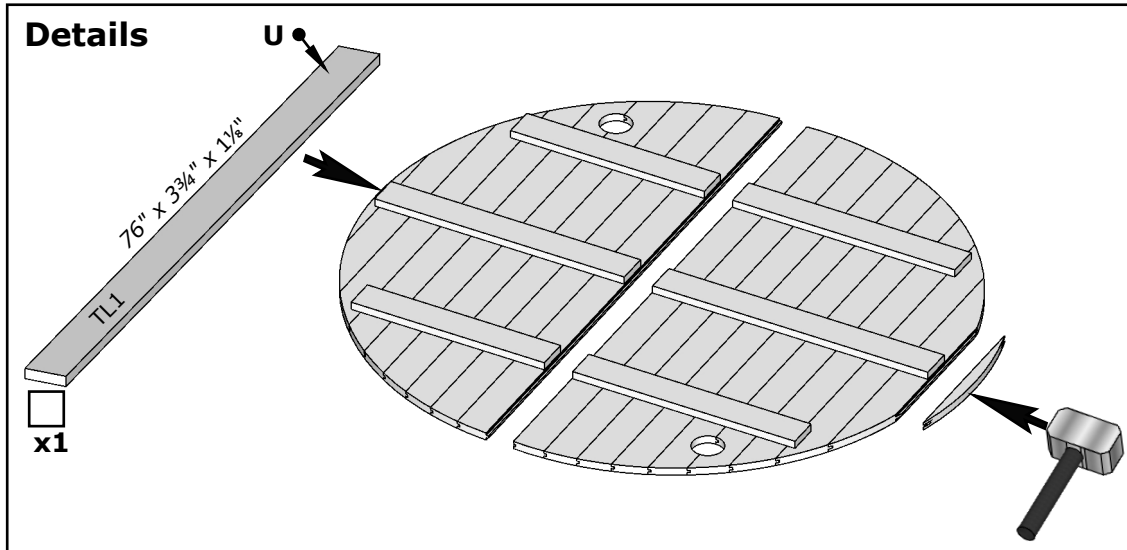
Proceed with main manual until benches installation!



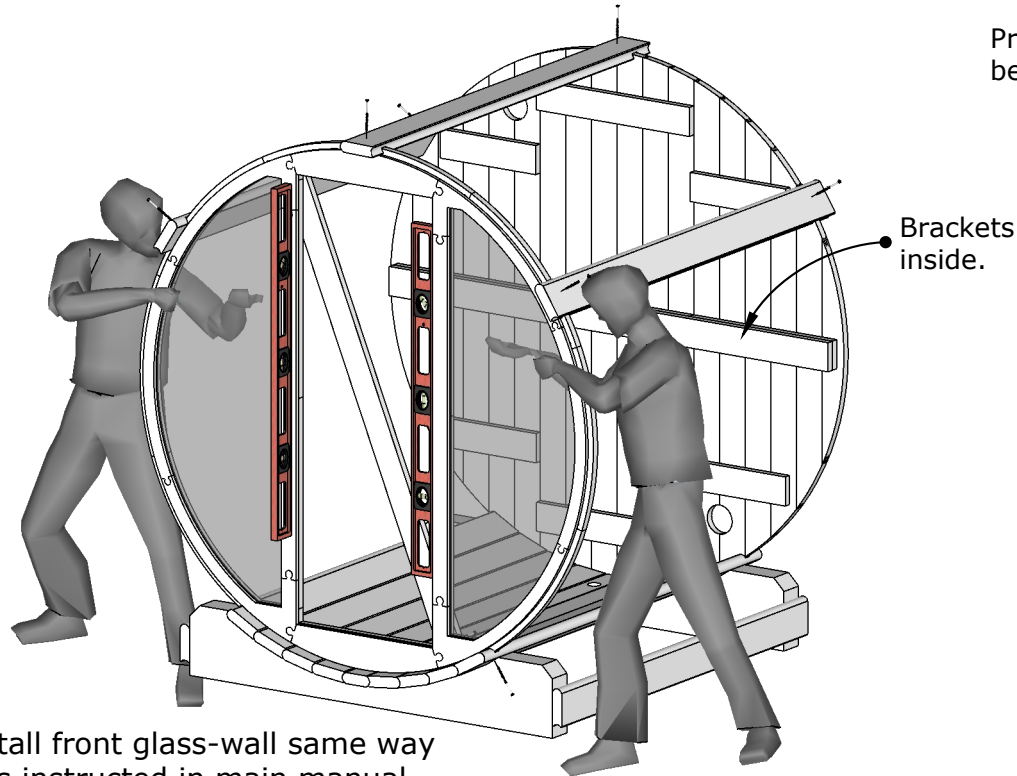
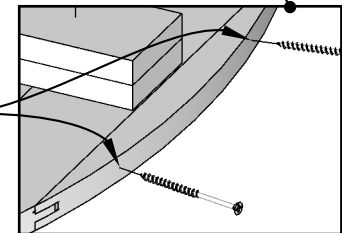
Drill holes 1/8" before screws.



Wooden back wall assembly



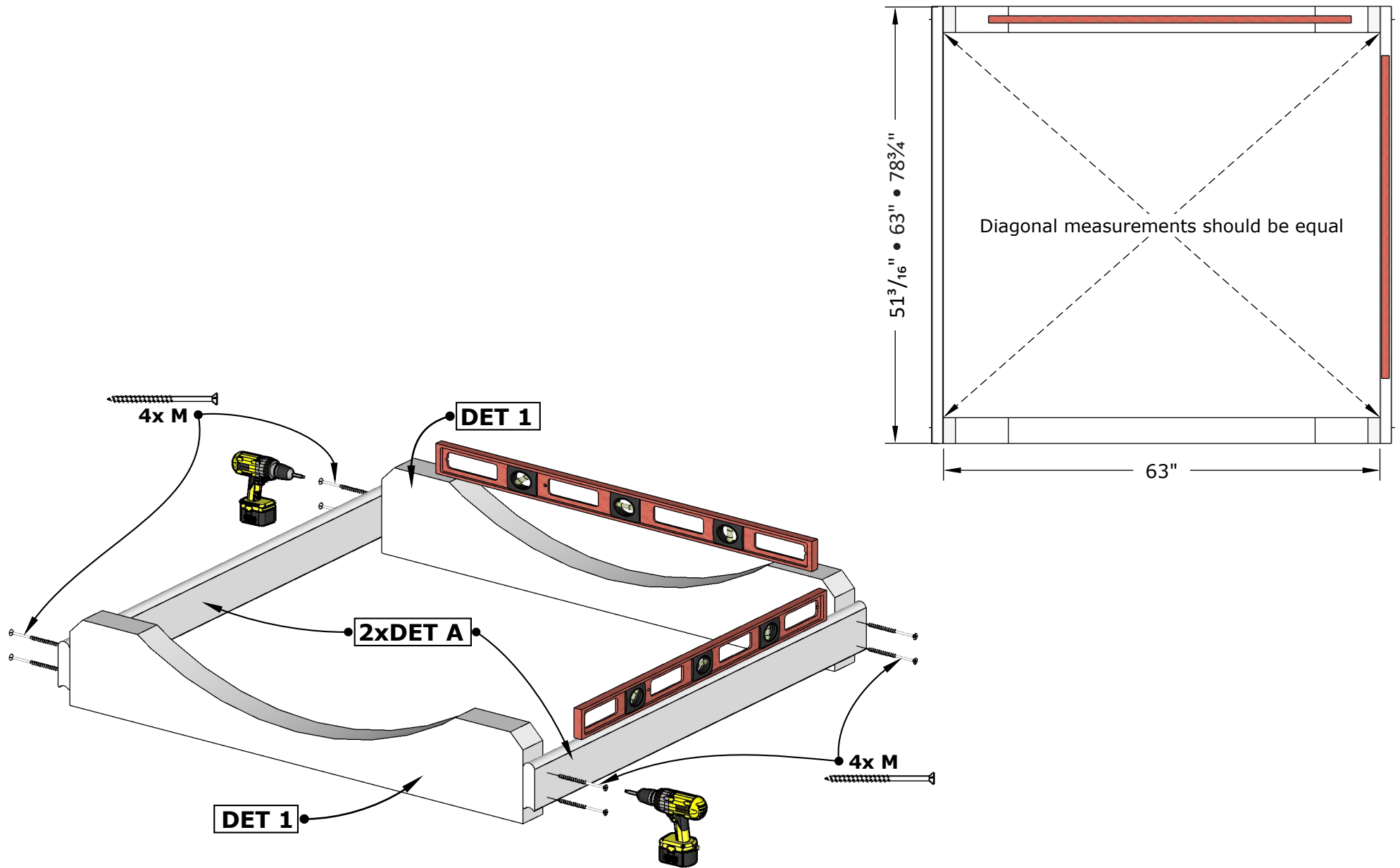
Pre-drill holes 5/32" before screws.



Install front glass-wall same way as instructed in main manual.

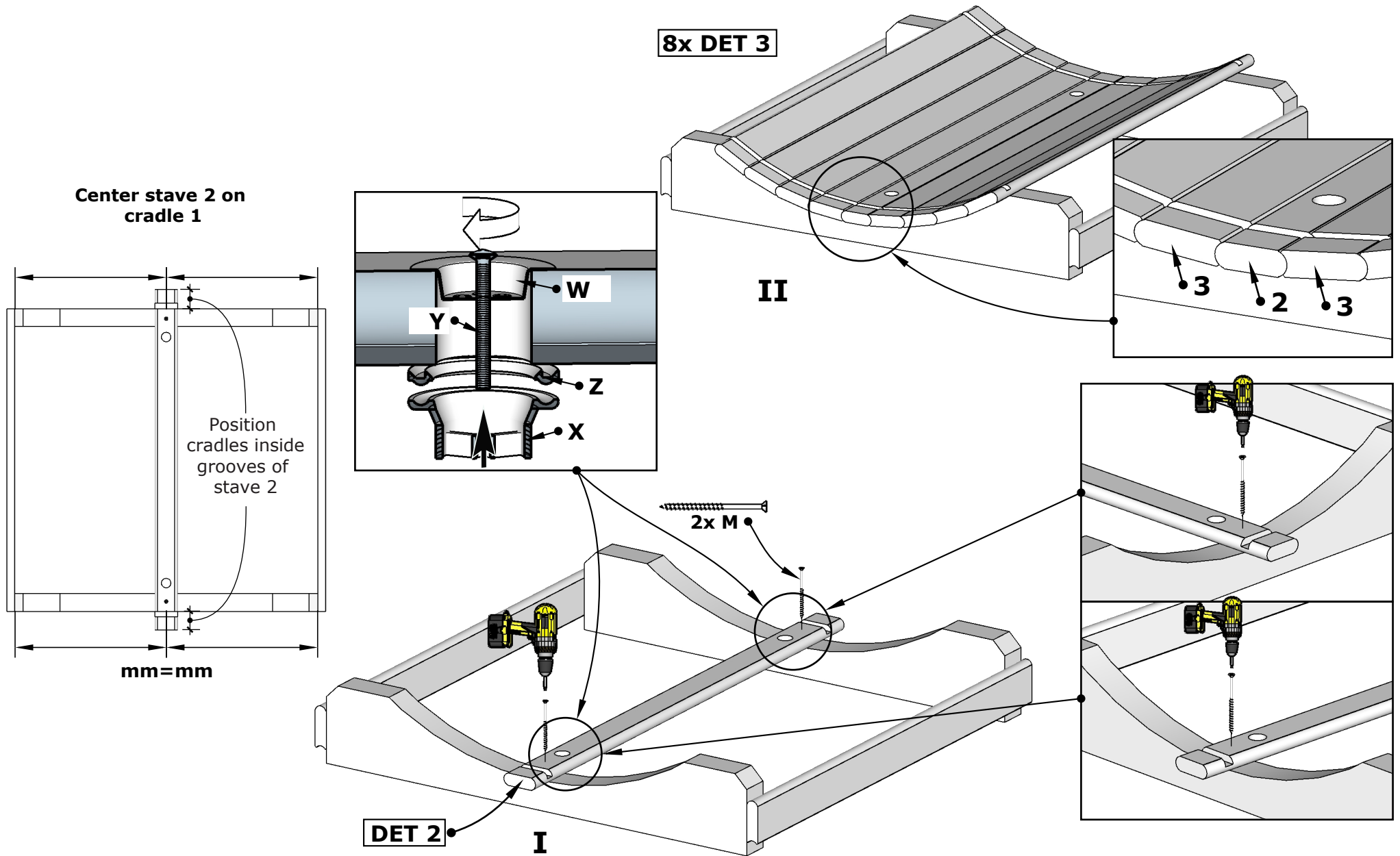
III

E7G Barrel Sauna 71D" x 81H"

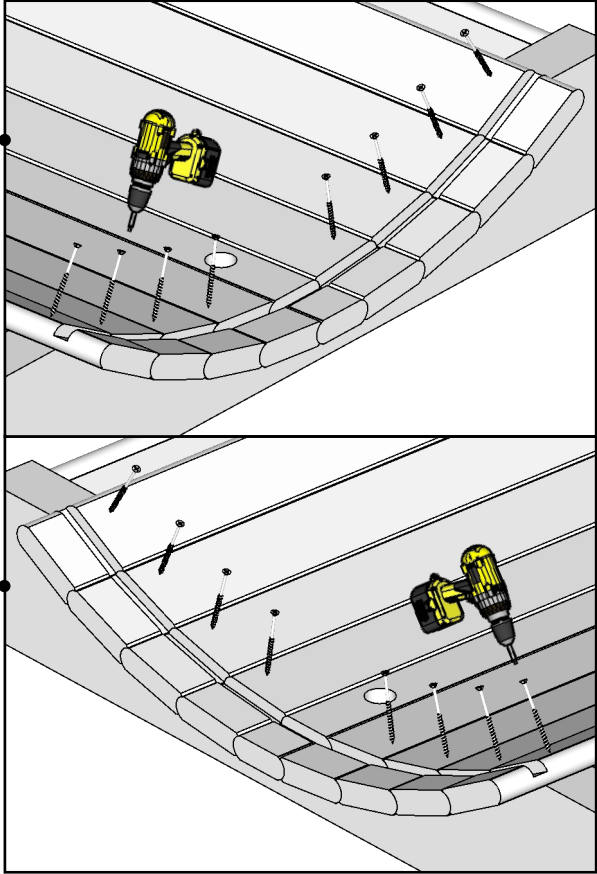
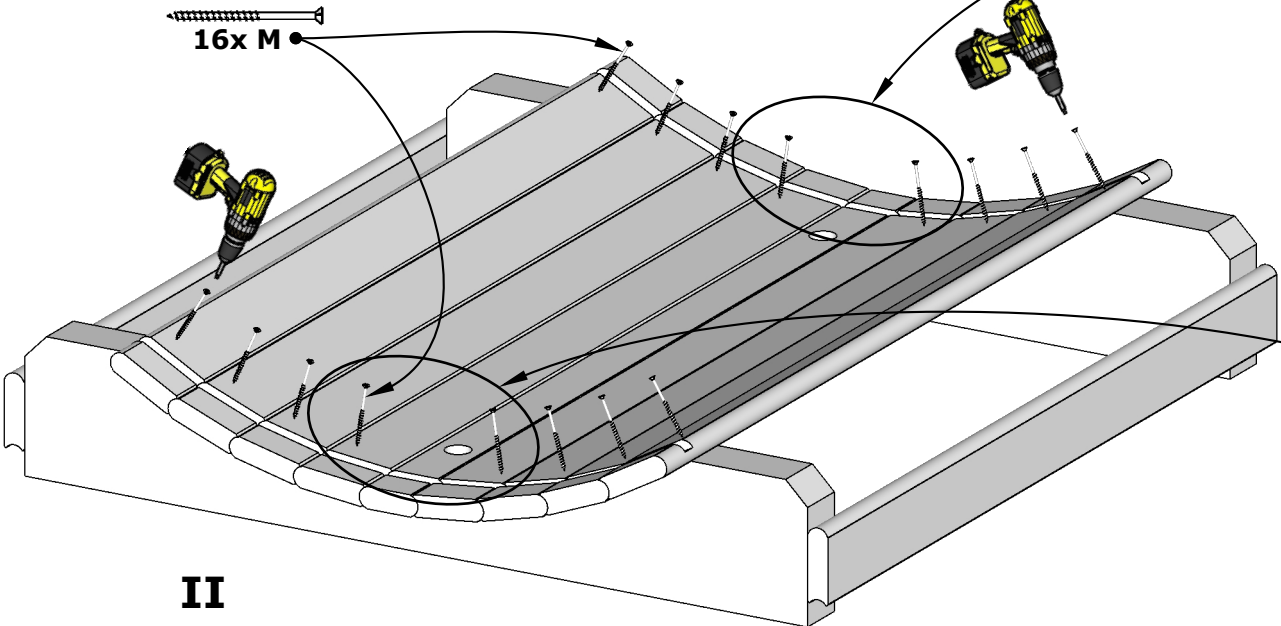
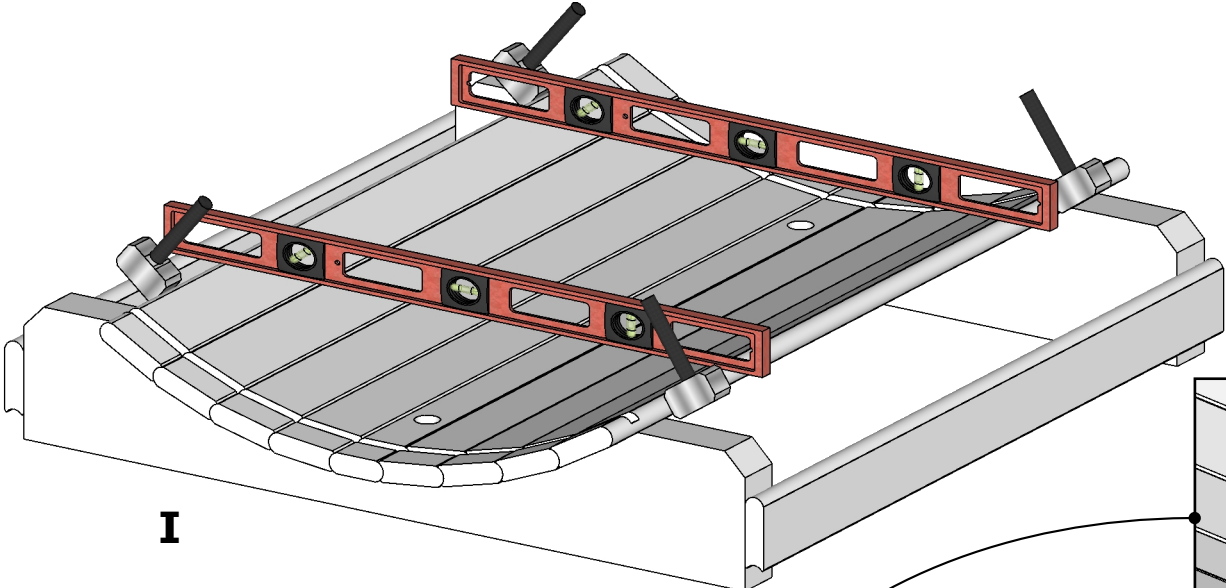


1.

E7G Barrel Sauna 71D" x 81H"

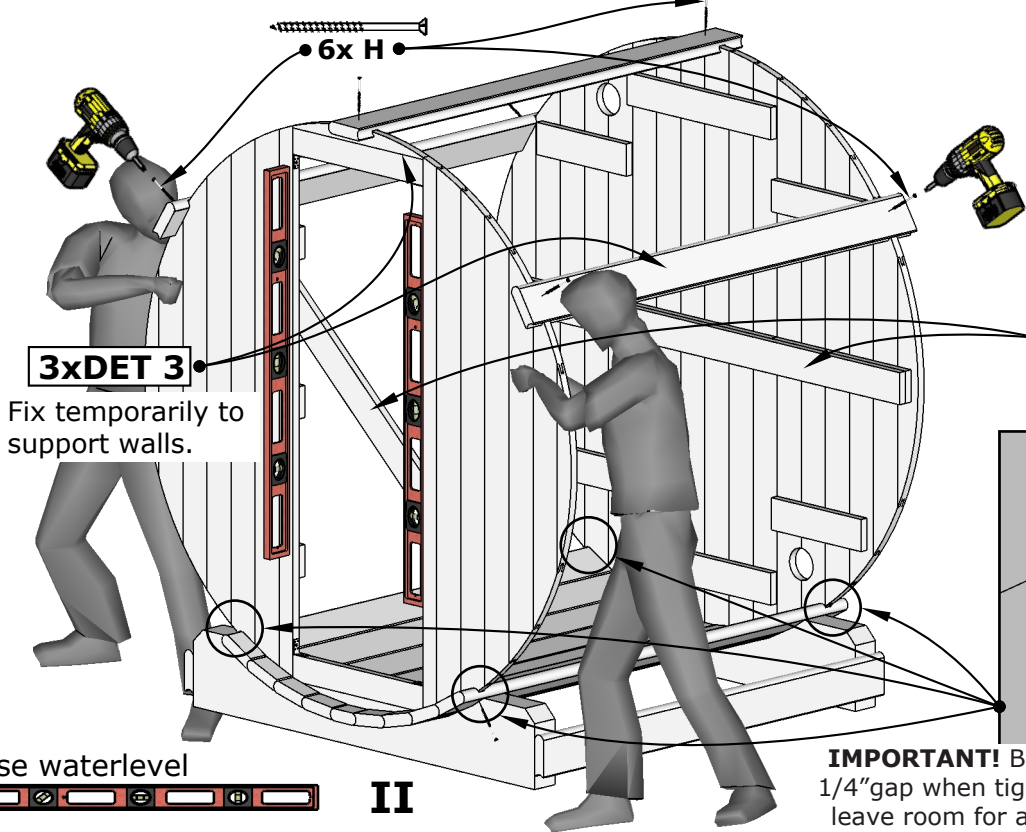
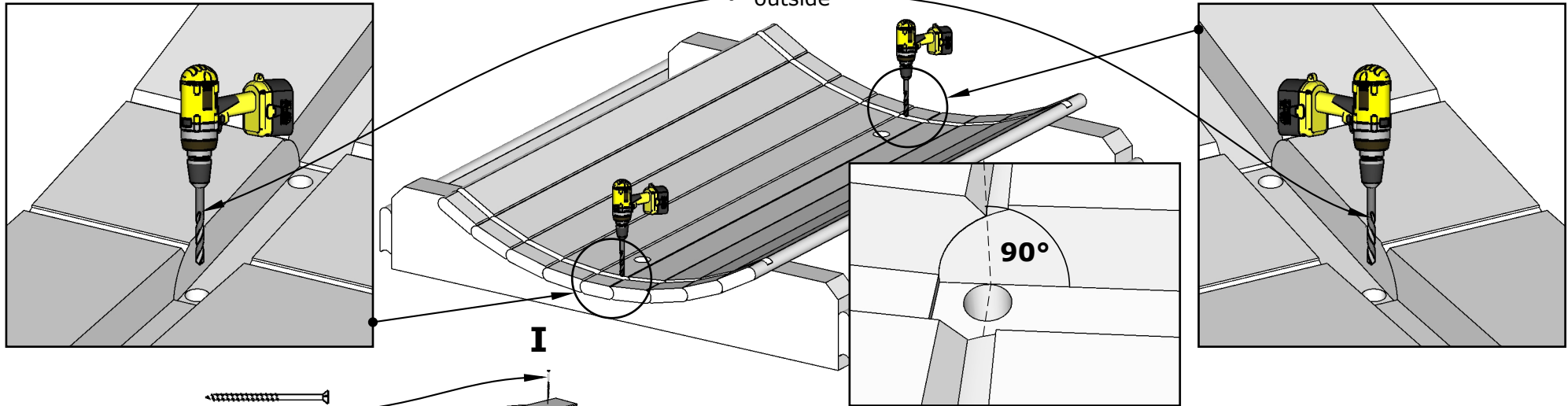


E7G Barrel Sauna 71D" x 81H"



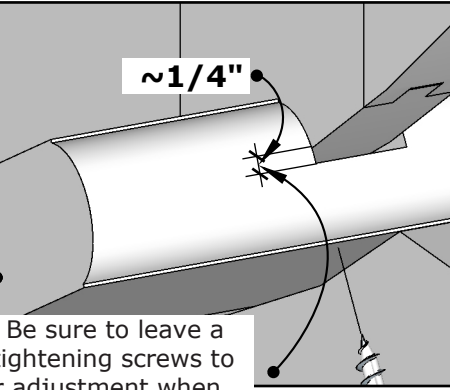
E7G Barrel Sauna 71D" x 81H"

Drill 4 holes $\varnothing 1/2"$
through DET 2
outside

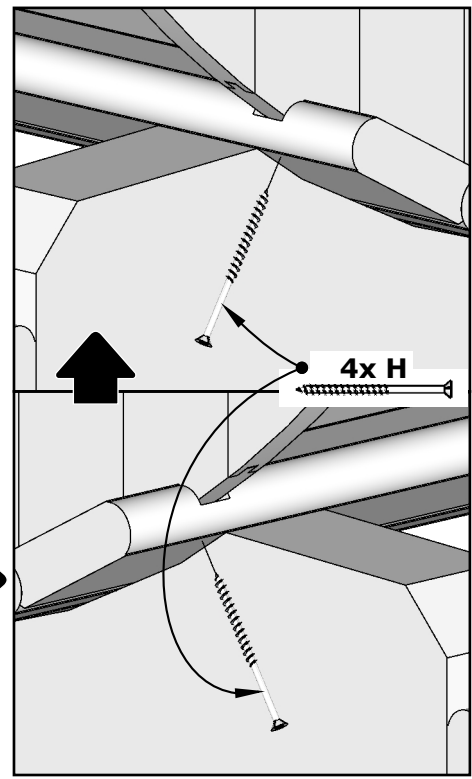


3xDET 3
Fix temporarily to
support walls.

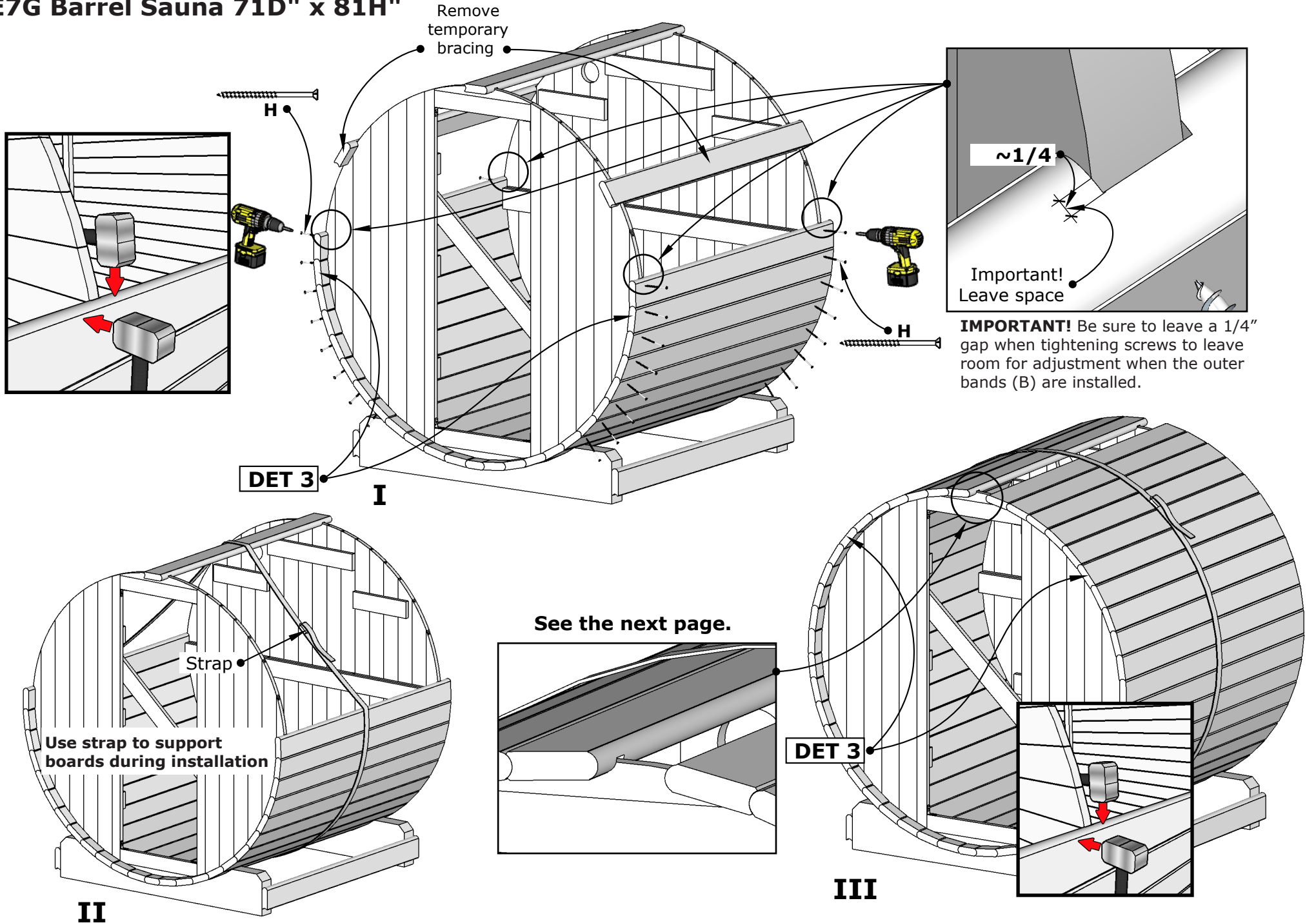
**Check walls installation
manual on extra pages!**
**Sauna wall configuration
depends on Your model!**



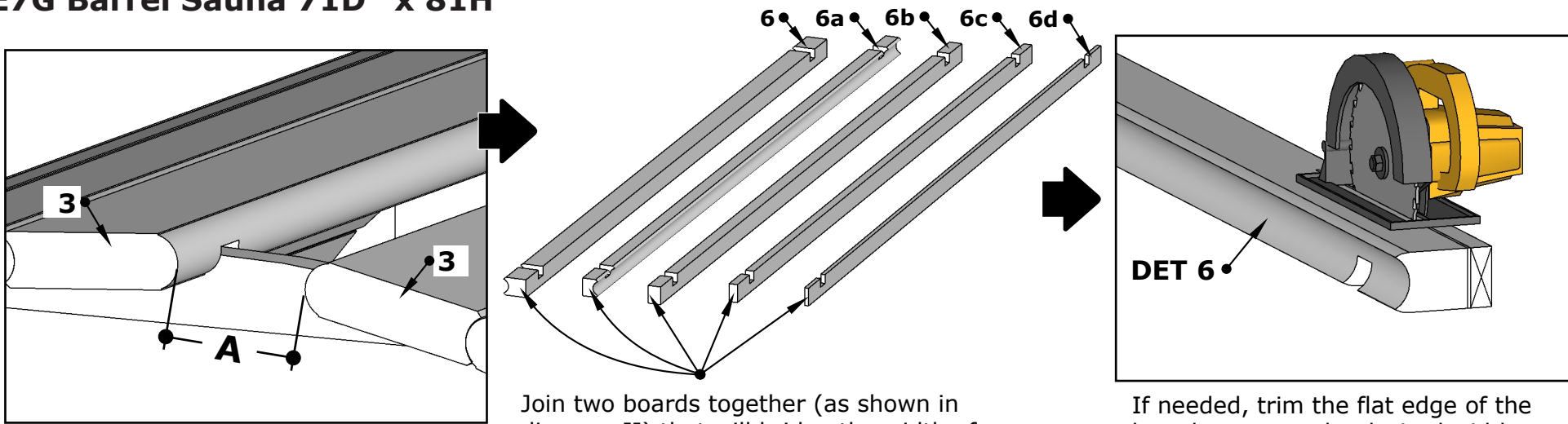
IMPORTANT! Be sure to leave a
 $1/4"$ gap when tightening screws to
leave room for adjustment when
the outer bands (B) are installed.



E7G Barrel Sauna 71D" x 81H"



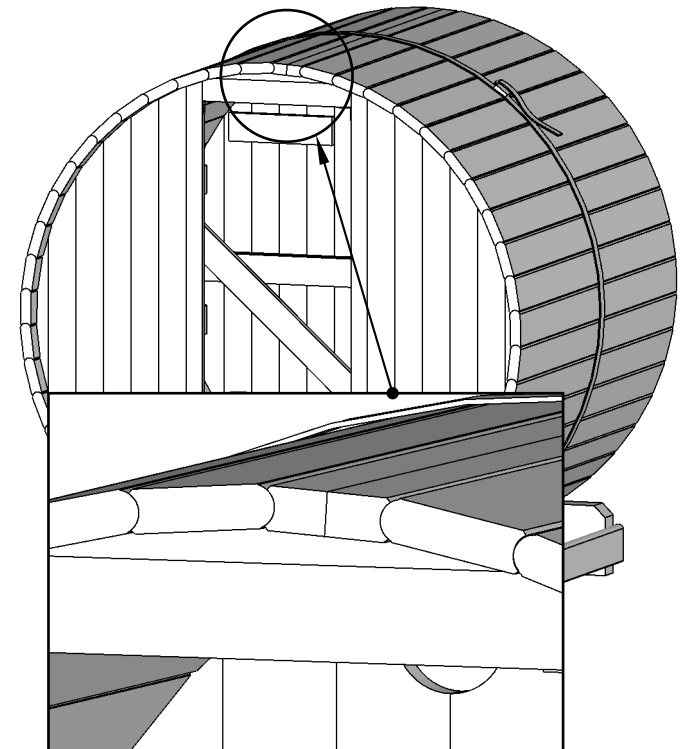
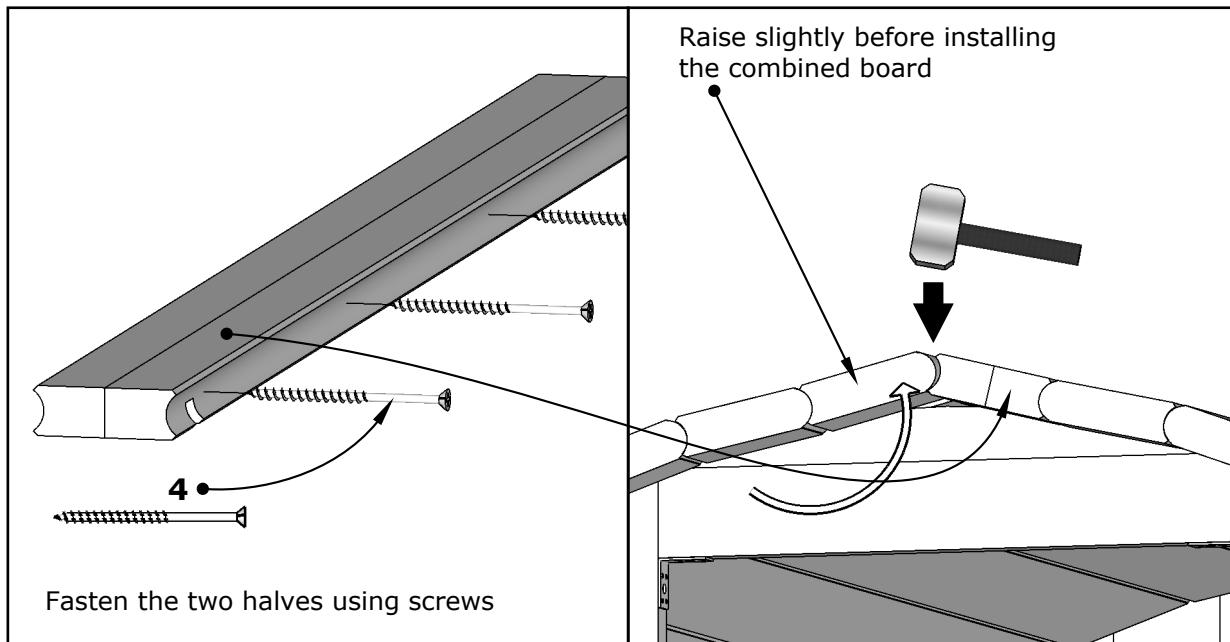
E7G Barrel Sauna 71D" x 81H"



Join two boards together (as shown in diagram II) that will bridge the width of the "A" gap. It is recommended that the combined boards are approximately 1/4" wider than the gap.

If needed, trim the flat edge of the board to create the desired width.

I

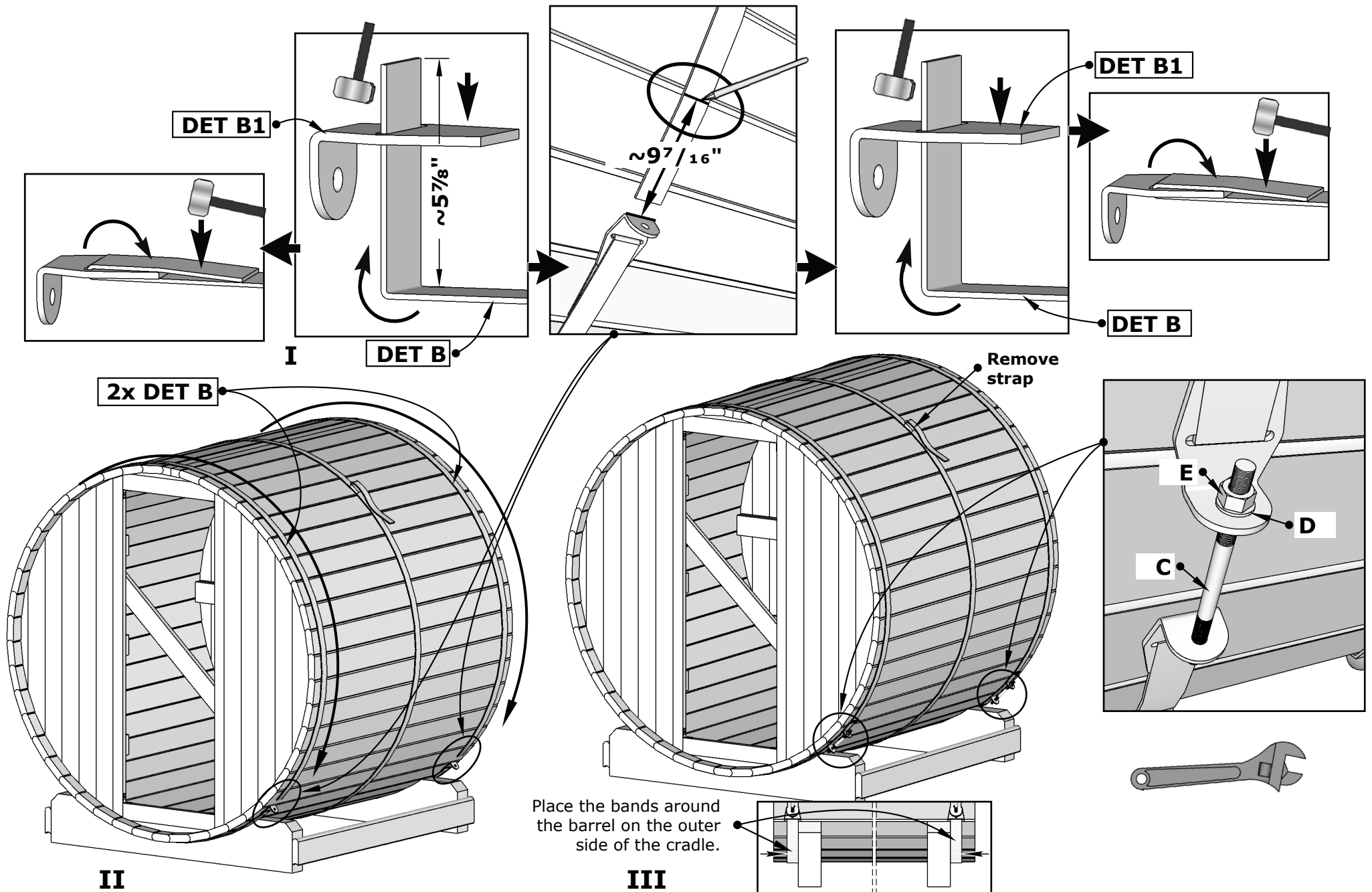


6.

II

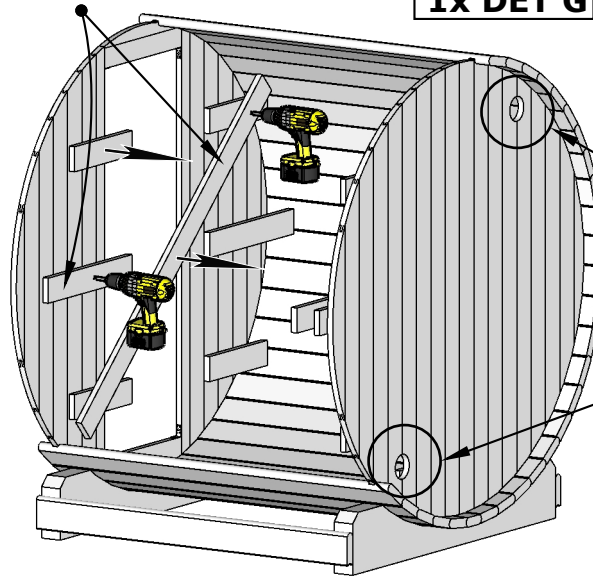
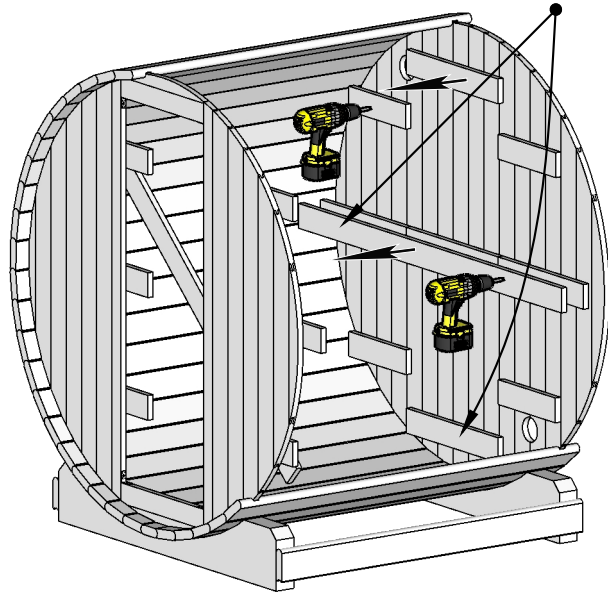
III

E7G Barrel Sauna 71D" x 81H"

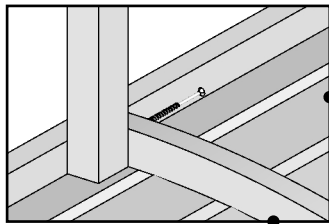
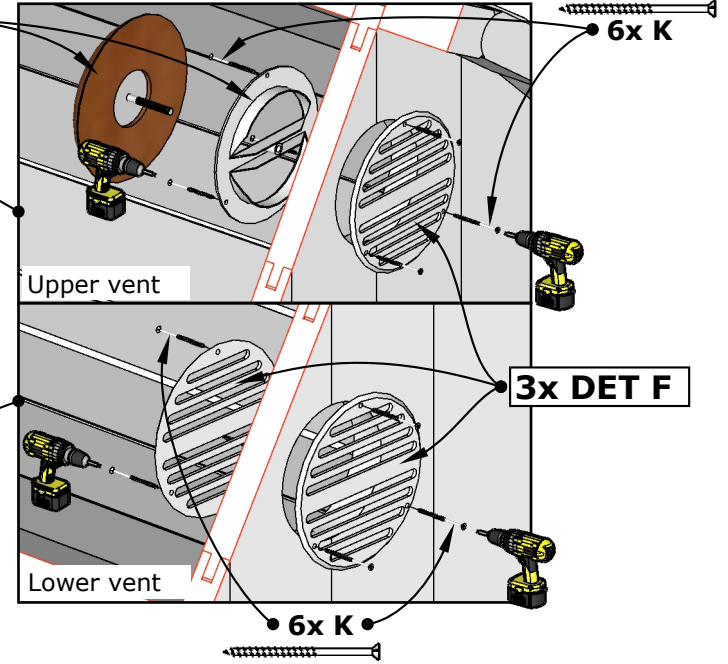


E7G Barrel Sauna 71D" x 81H"

Remove all temporary braces



1x DET G



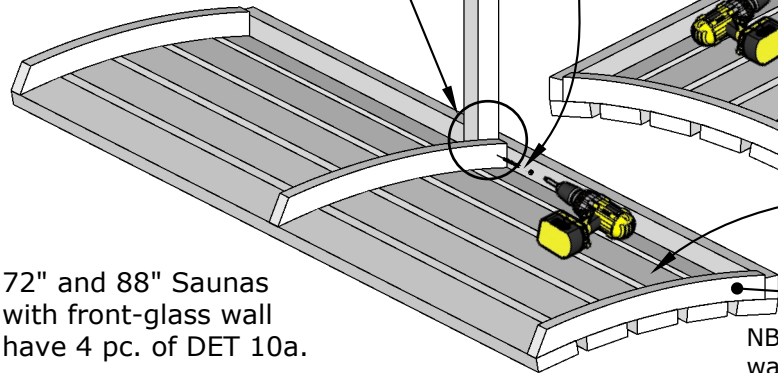
Pre-drill holes $\varnothing 5/32"$ before screws.

I

2x DET 10a

2x H

2x DET 10

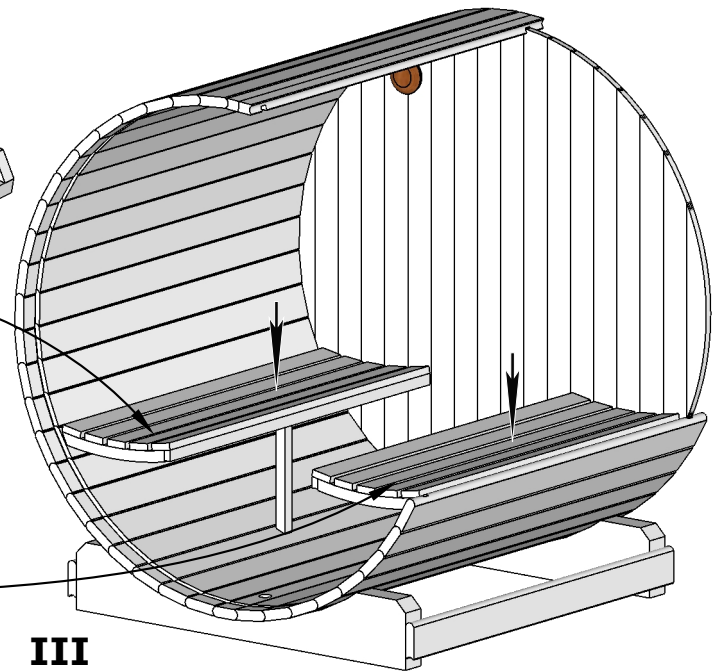


72" and 88" Saunas with front-glass wall have 4 pc. of DET 10a.

II

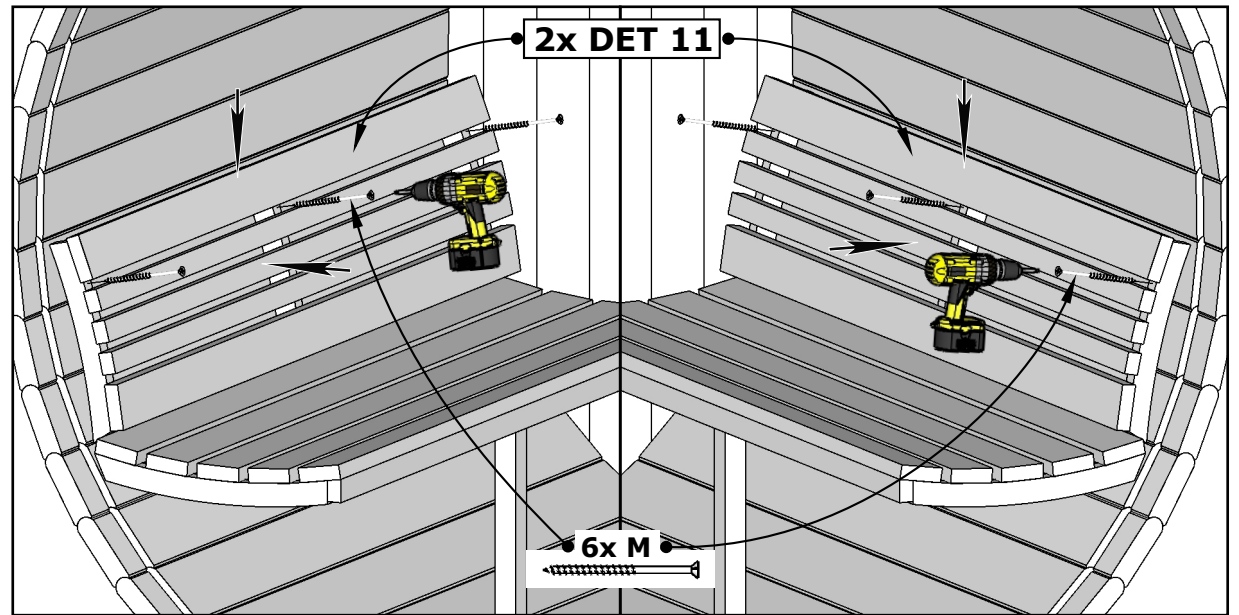
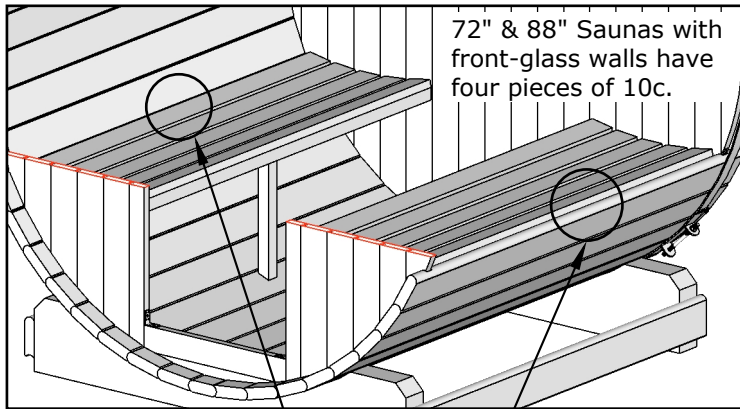
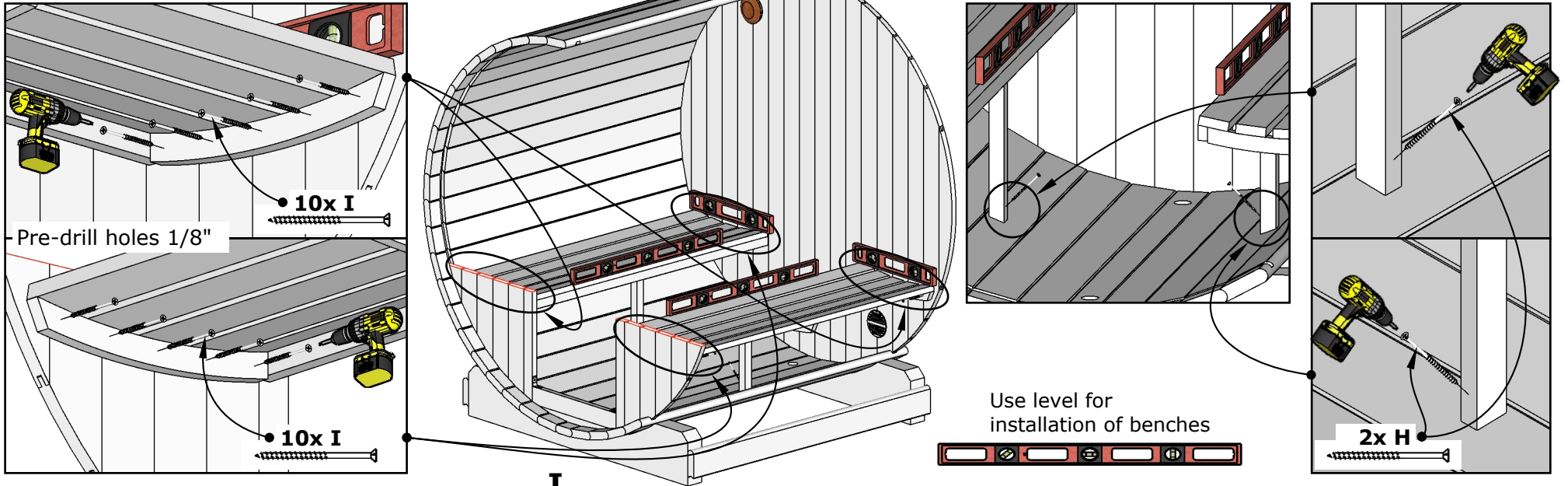
NB! If Your sauna equipped with front-glass wall, see front-glass wall installation manual for proper benches installation.

III

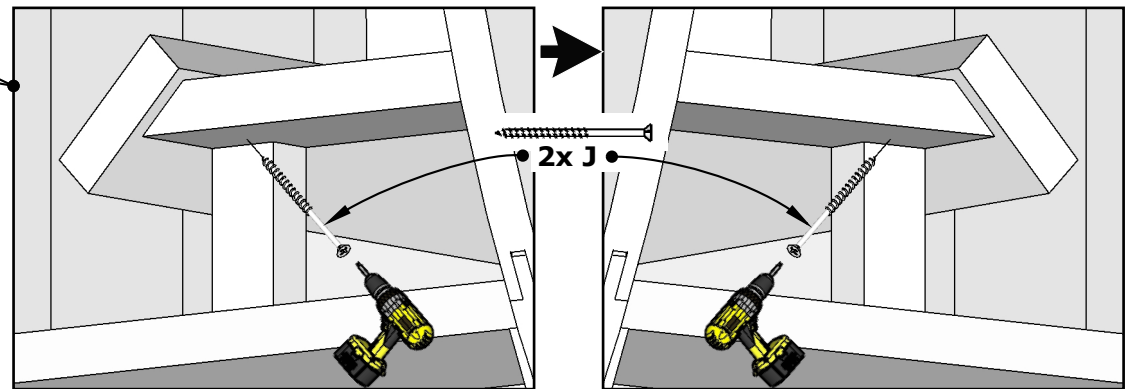
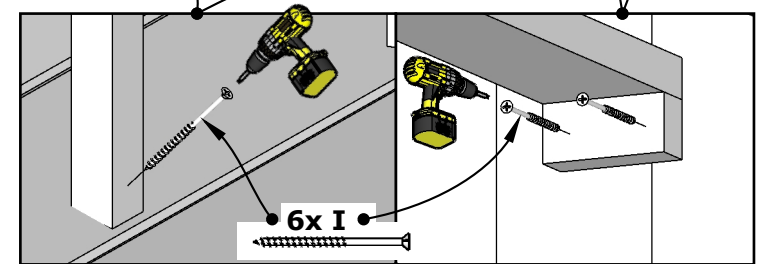
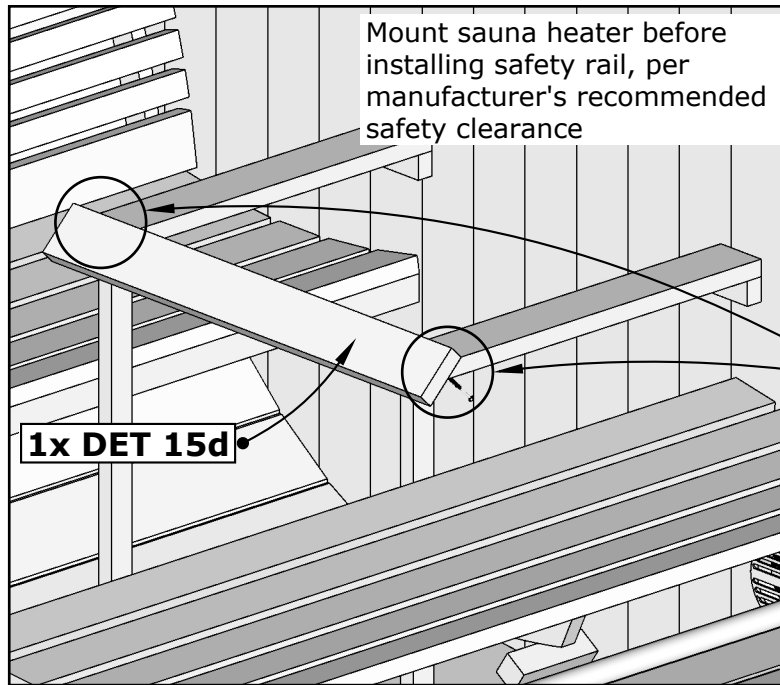
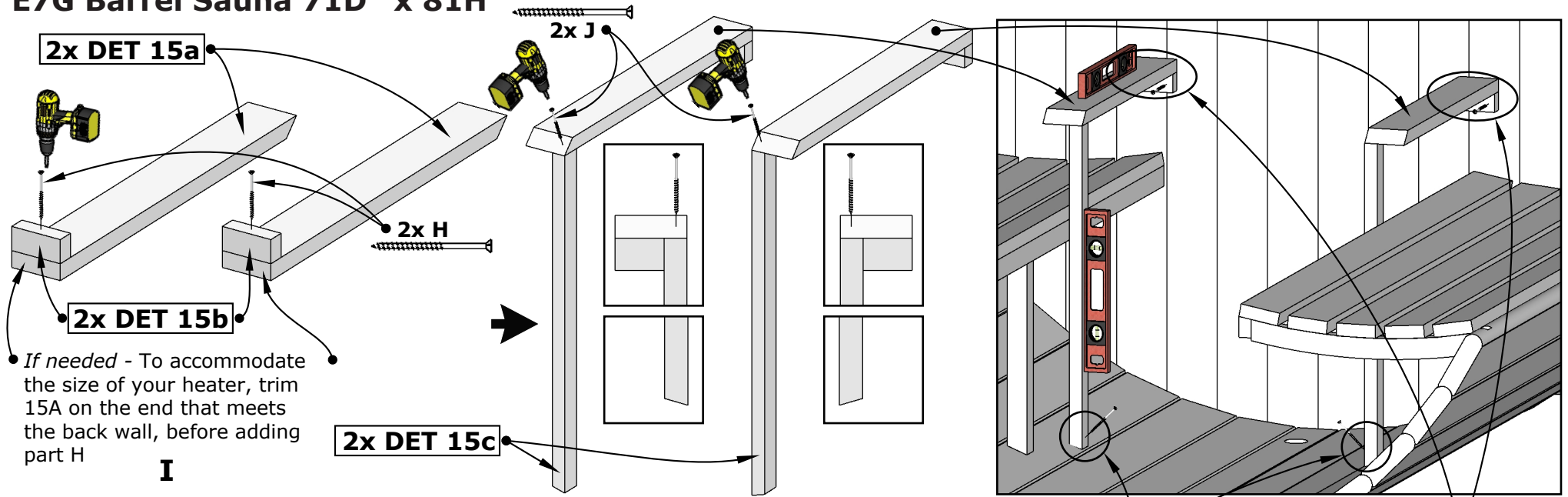


8.

E7G Barrel Sauna 71D" x 81H"

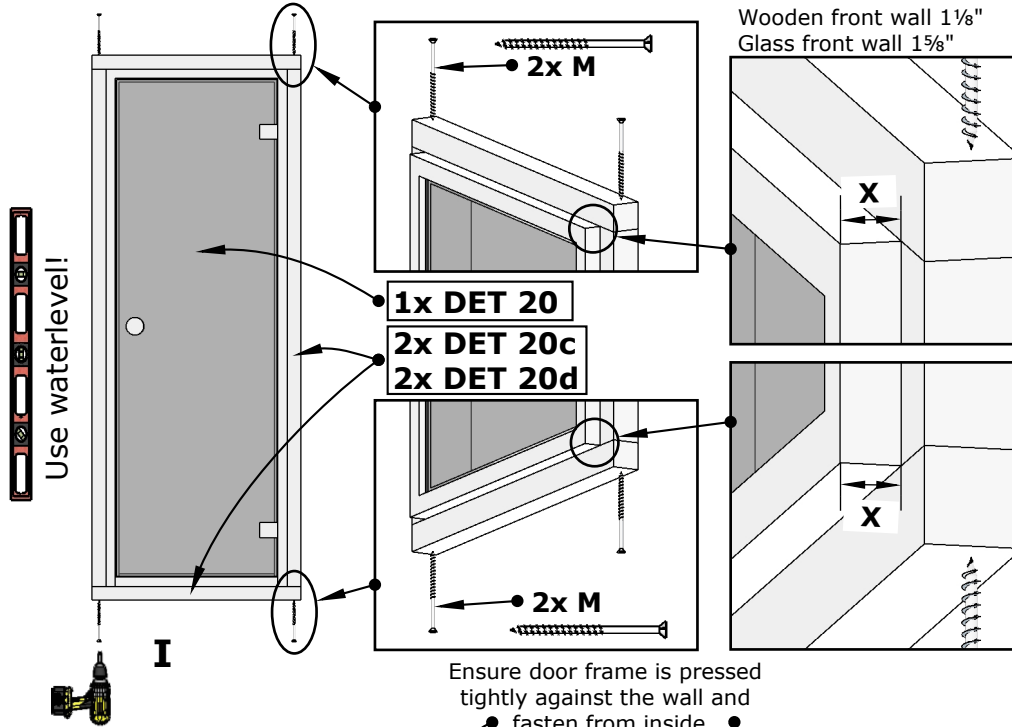


E7G Barrel Sauna 71D" x 81H"

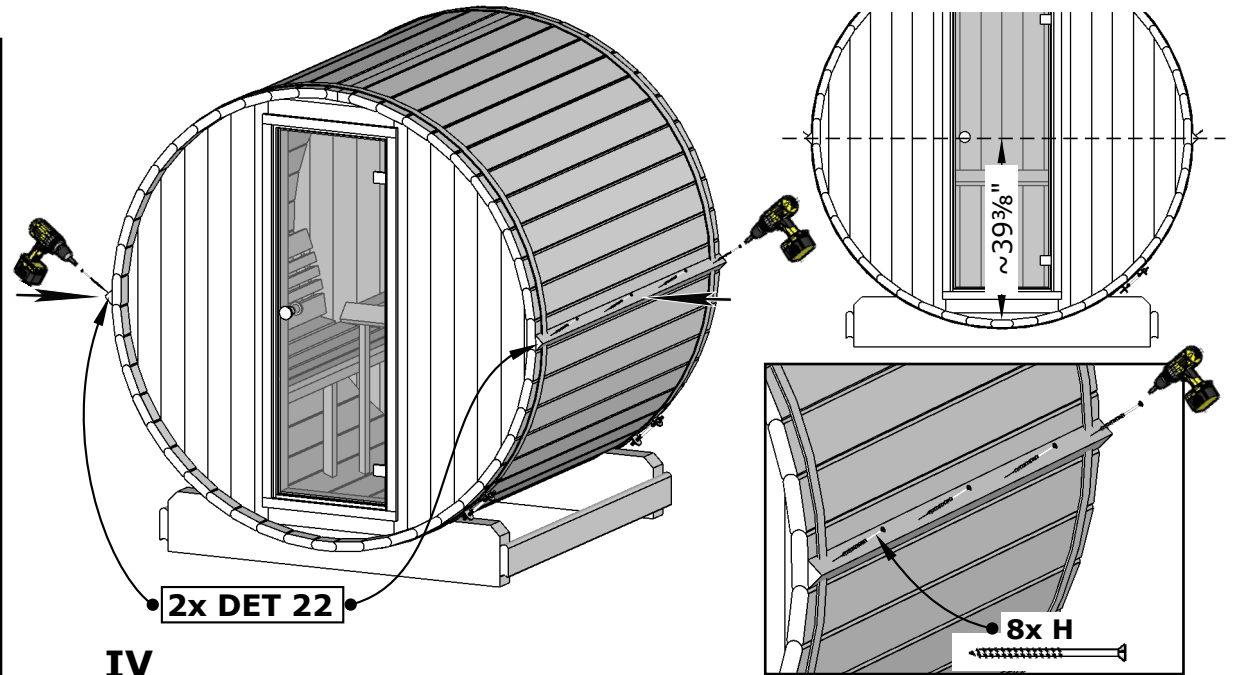
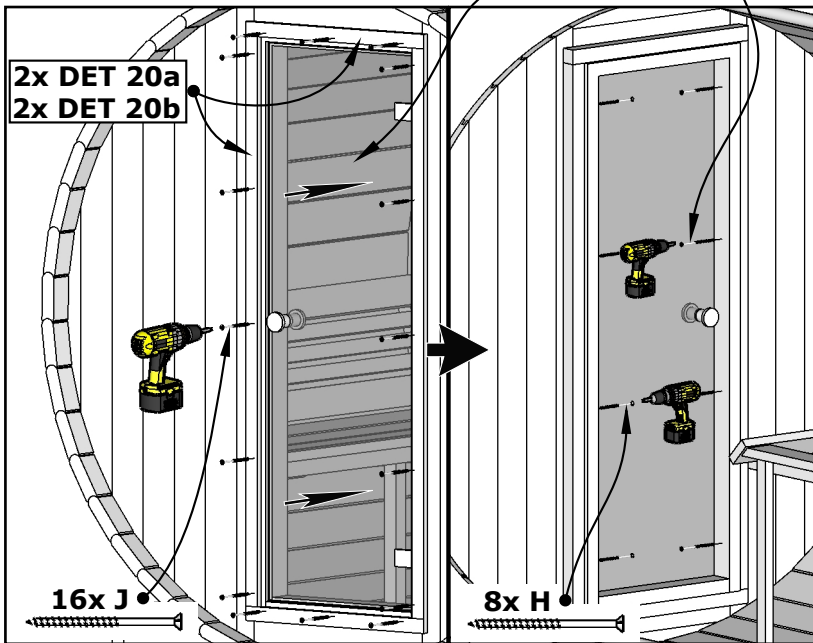
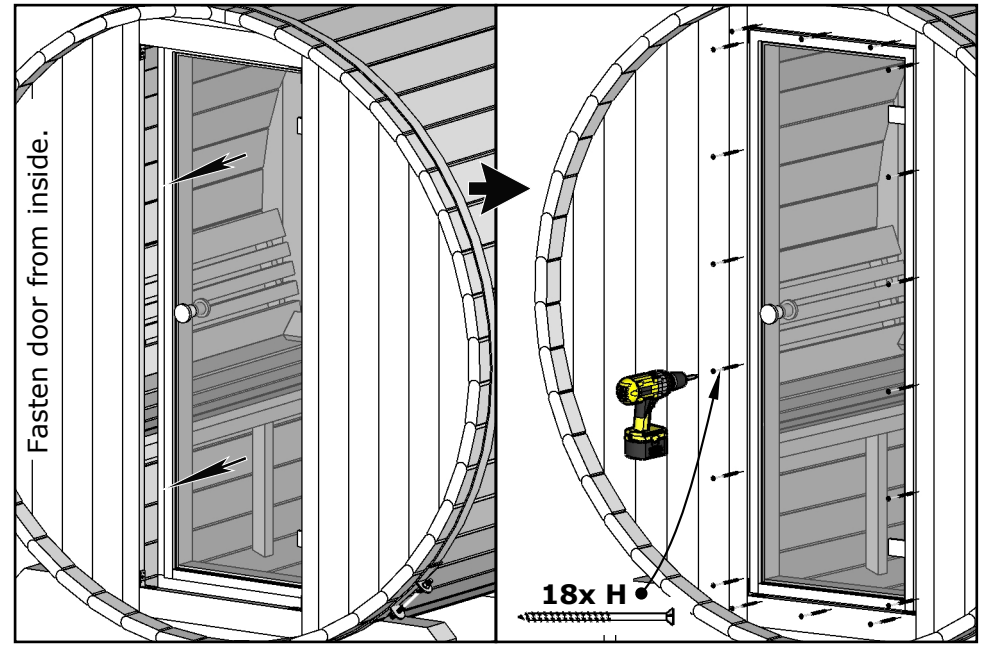


E7G Barrel Sauna 71D" x 81H"

X= Front wall thickness
 Wooden front wall 1 1/8"
 Glass front wall 1 5/8"

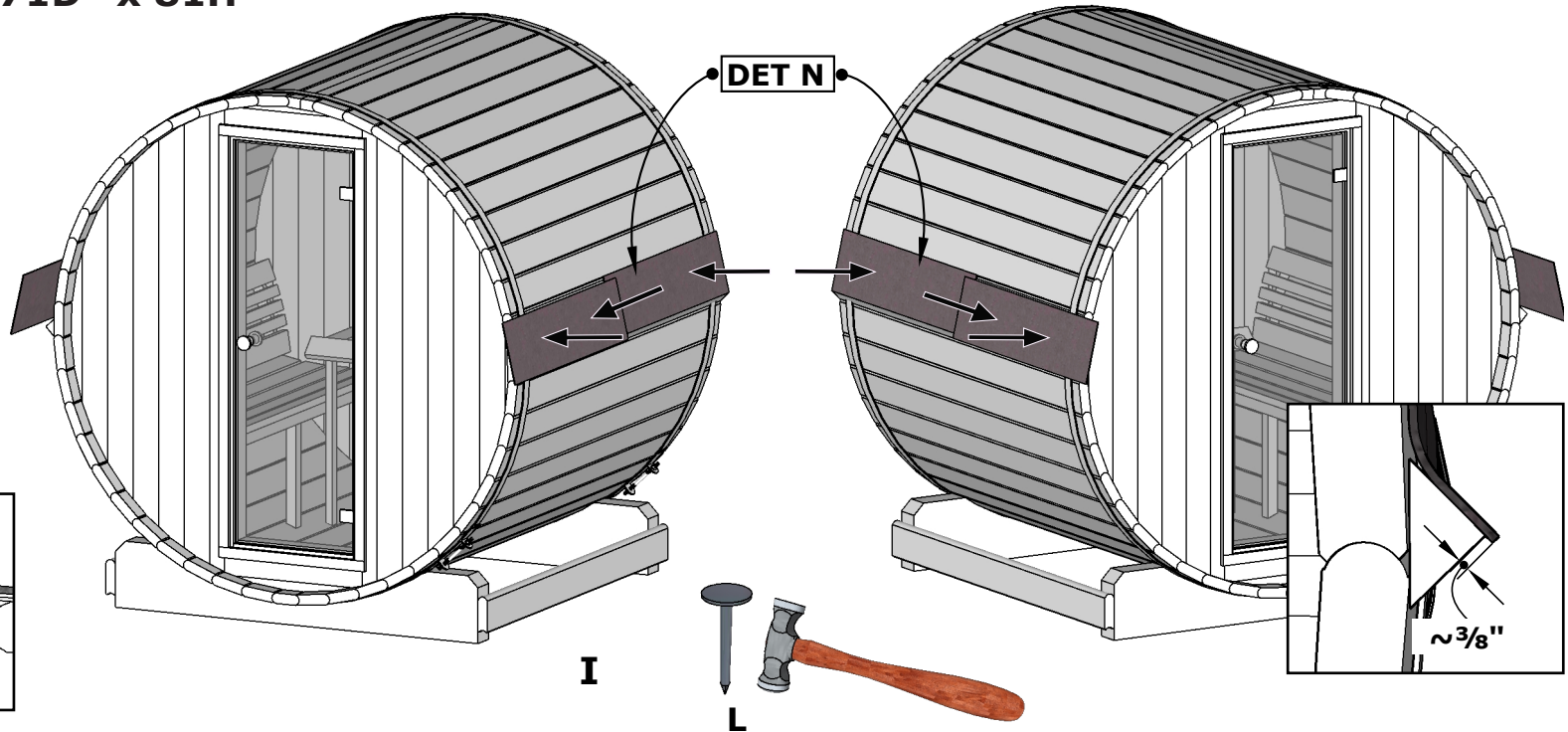
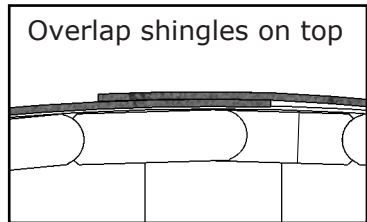


Ensure door frame is pressed tightly against the wall and fasten from inside

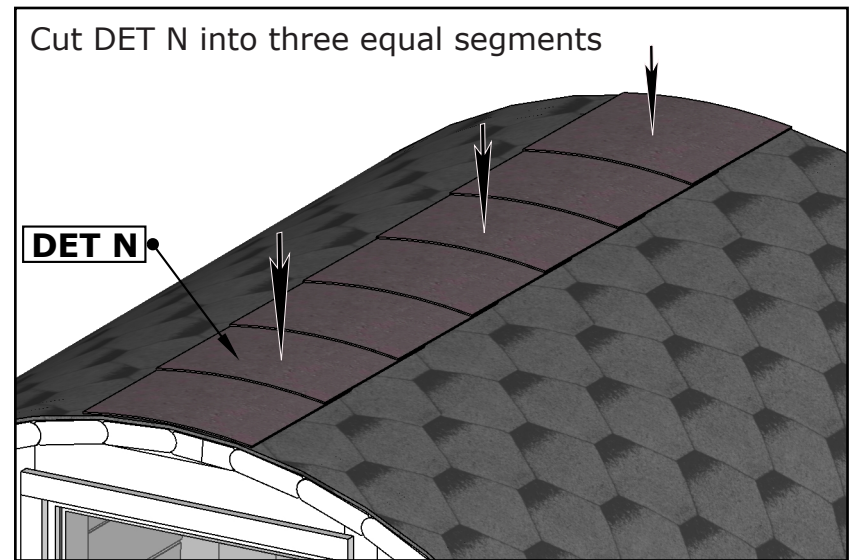
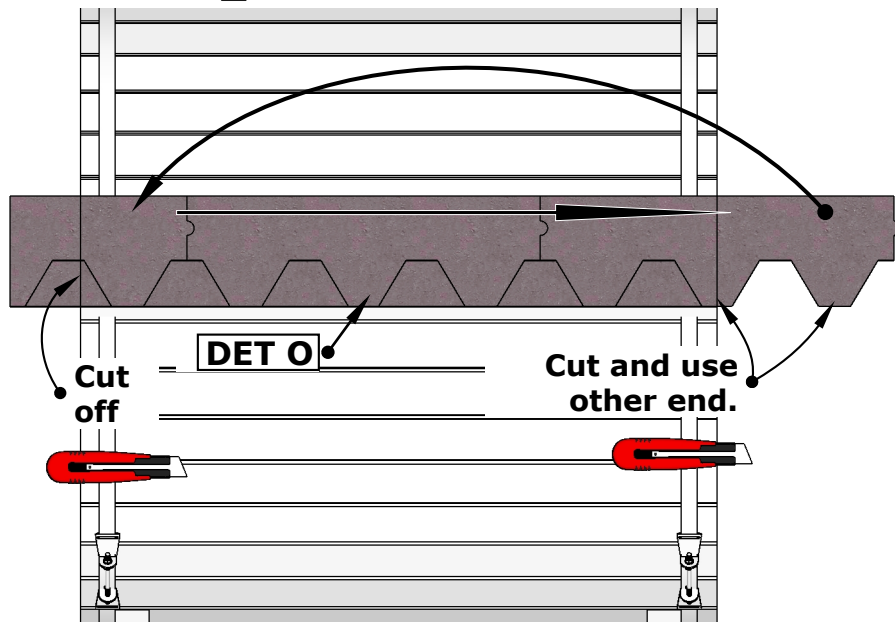


E7G Barrel Sauna 71D" x 81H"

See the installation manual inside the shingles package



Check also roof shingles installation manual inside package.



E7G Barrel Sauna 71D" x 81H"

