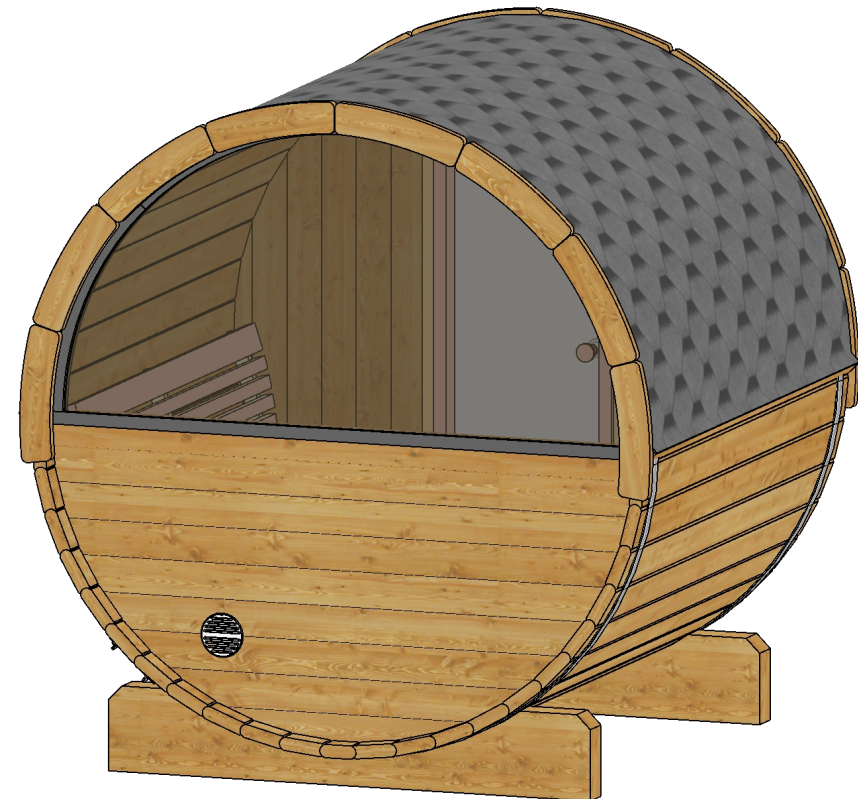




Ergo-Series E7W Barrel Sauna
Half Glass Window 71D" x 81H"

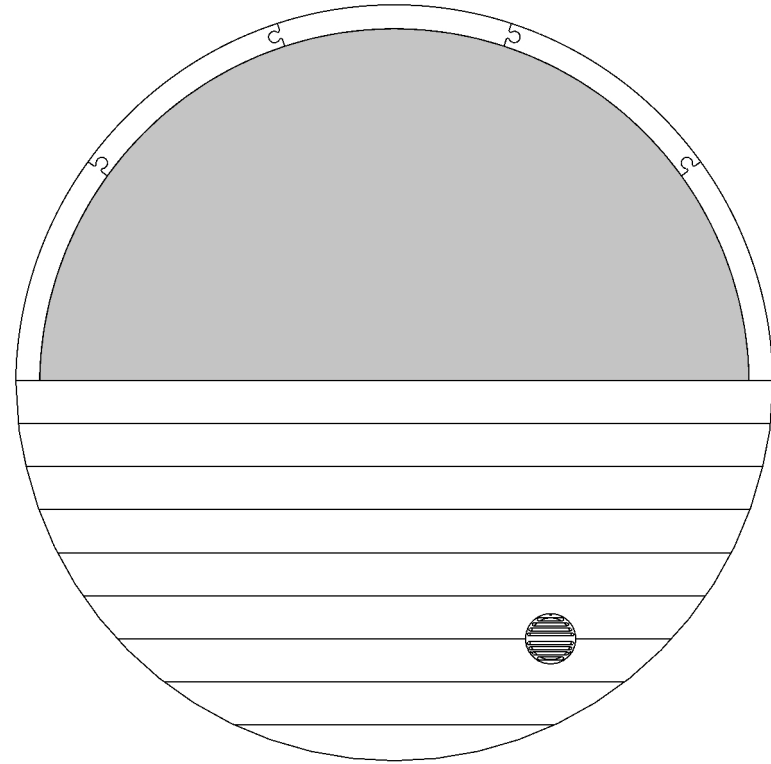
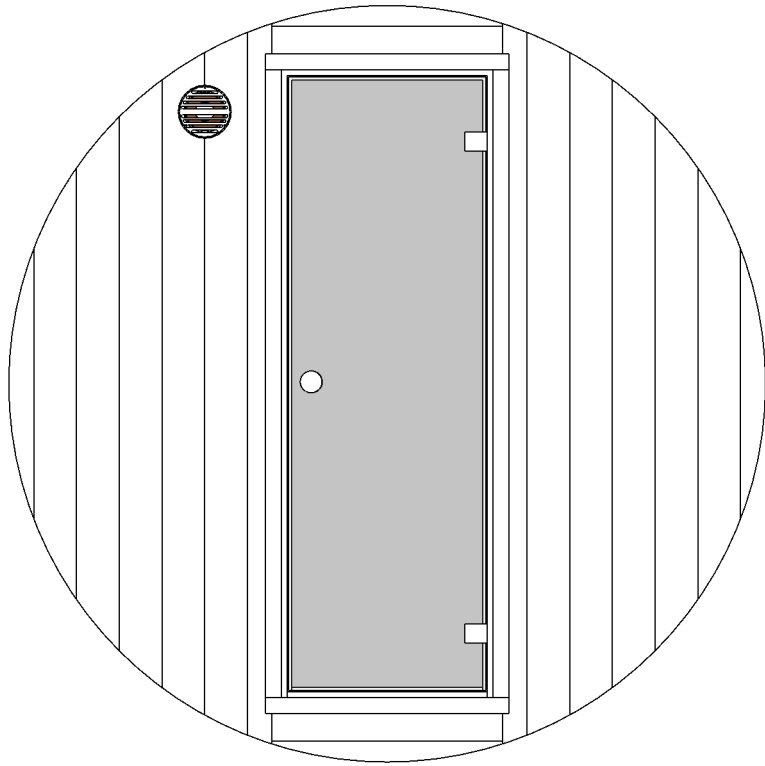
Almost Heaven Group LLC - <https://www.almostheaven.net>
sales@almostheaven.net - (304) 645-2310



Note: Please read manual before construction

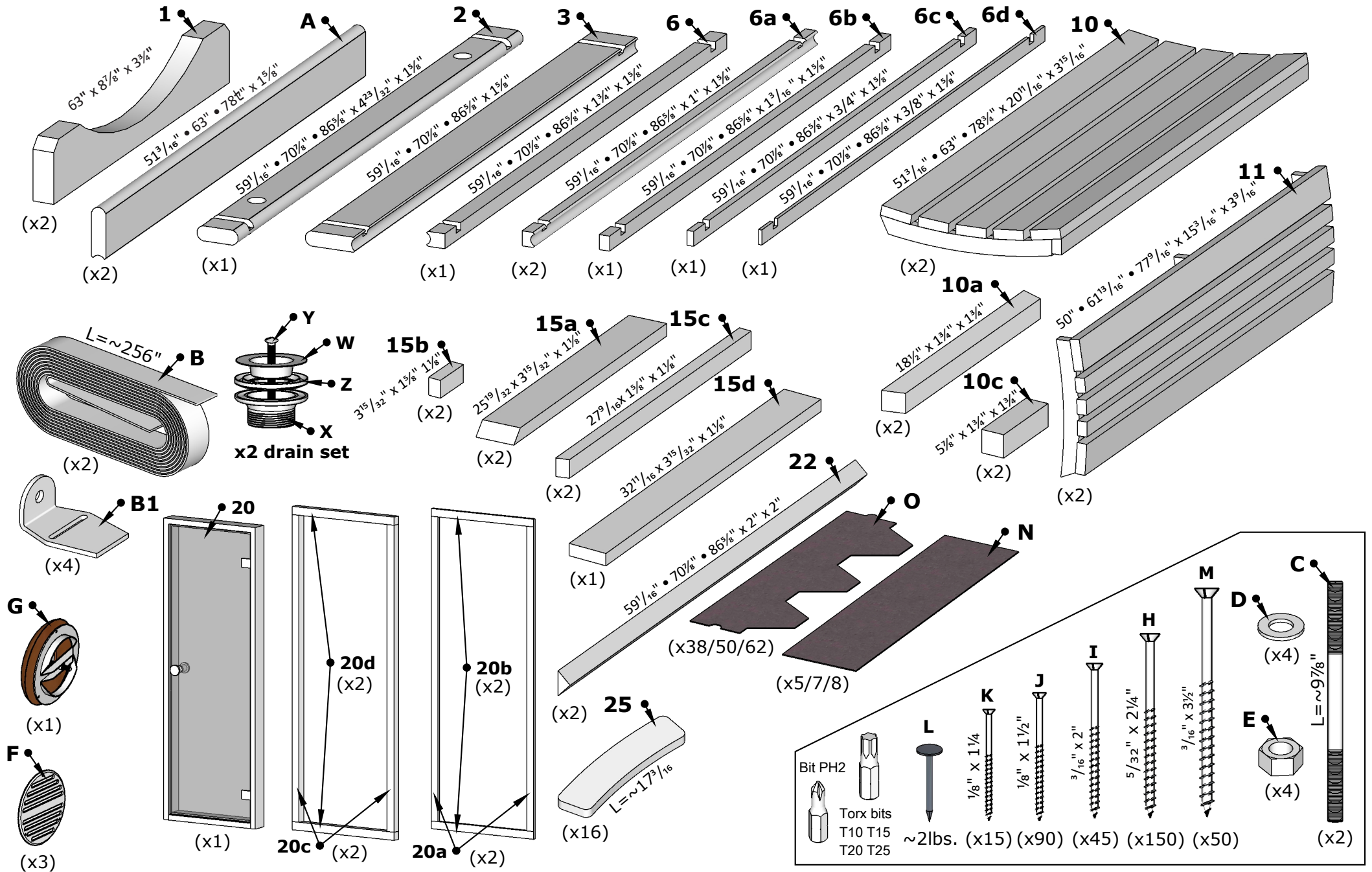
Rev 4/2023

Front & Back Walls

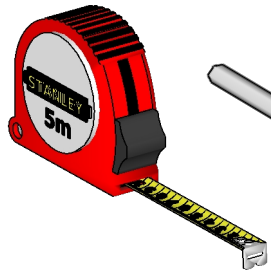


E7W Barrel Sauna 71D" x 81H"

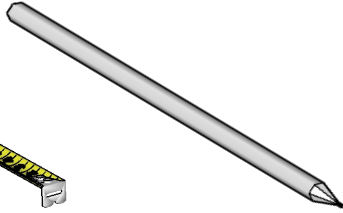
Details list.



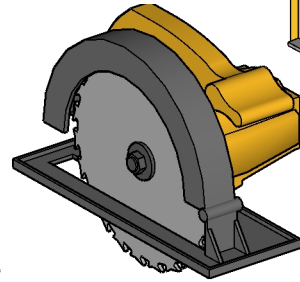
Tools needed



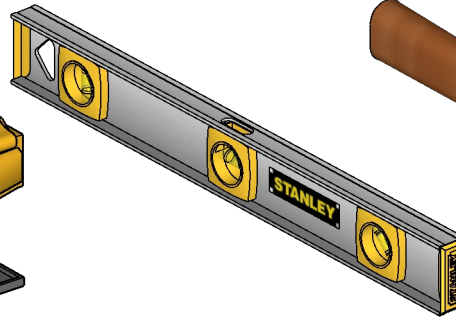
Measuring tape



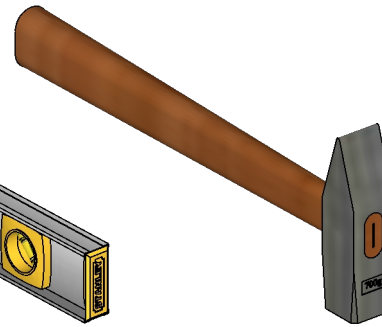
Marker pen



Circular saw



Water level



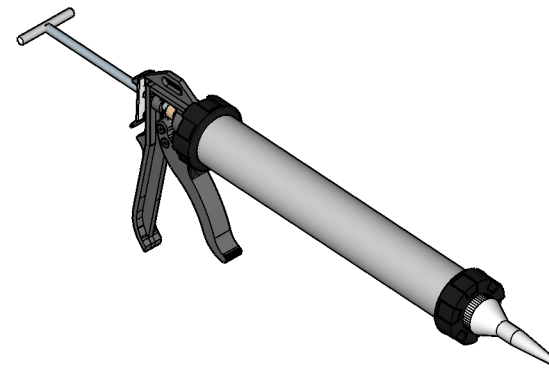
Hammer



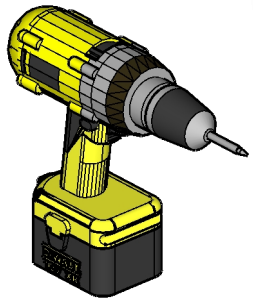
Extra hands



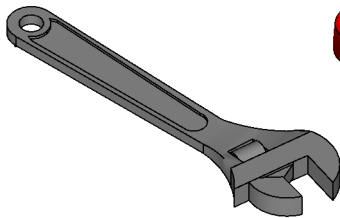
Ratchet strap



Silicone gun
(Only glass-wall models)



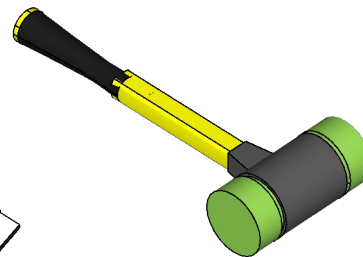
Drill



Crescent wrench

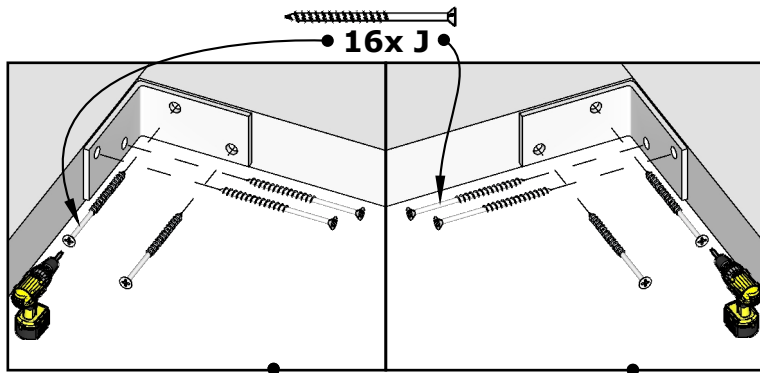
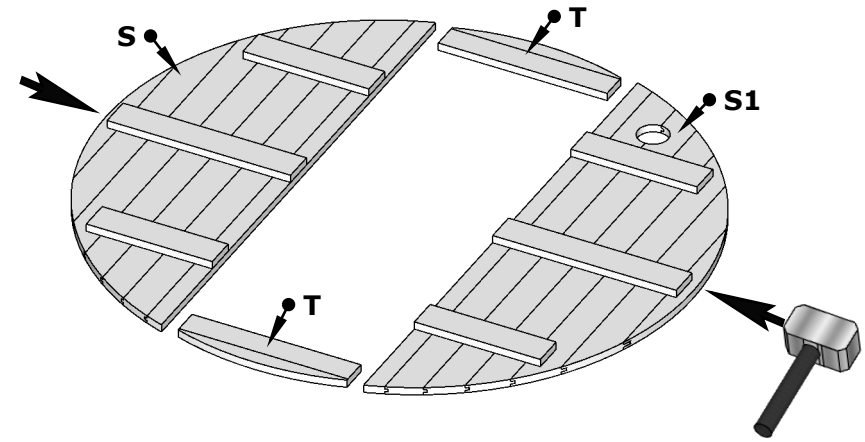
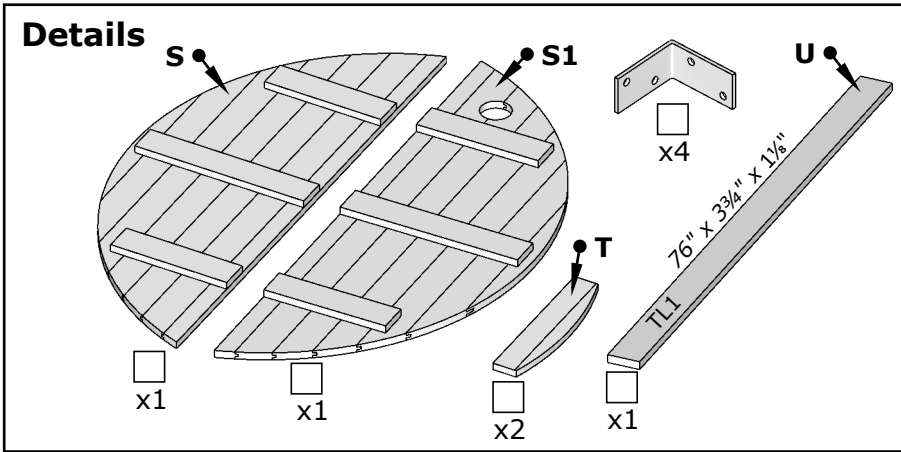


Utility knife

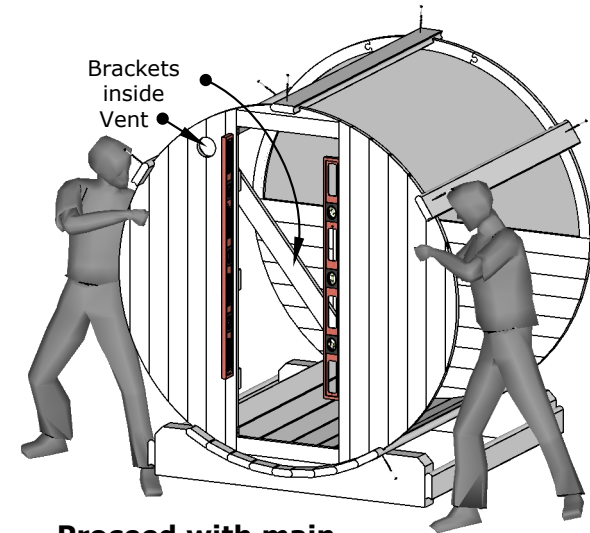
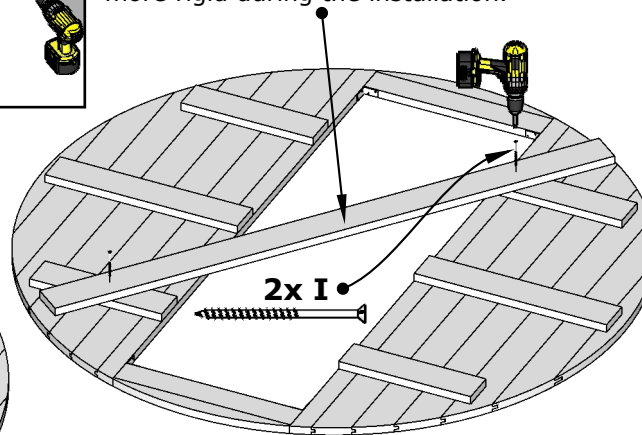


Rubber mallet

Wooden front wall installation



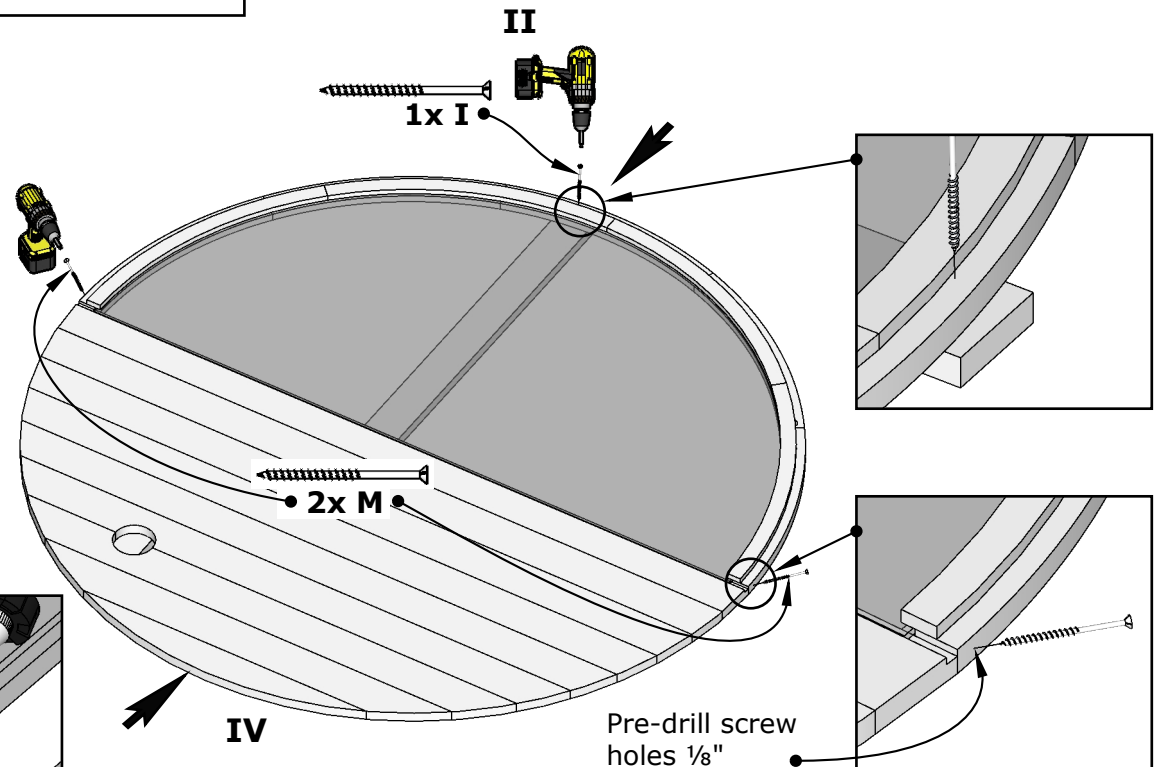
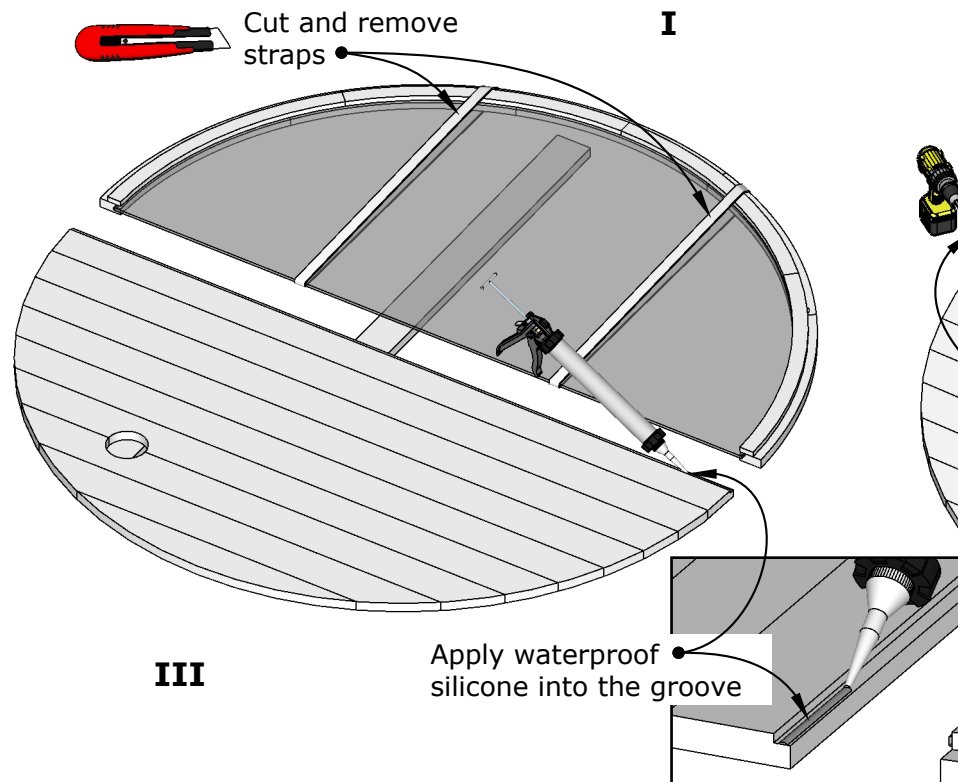
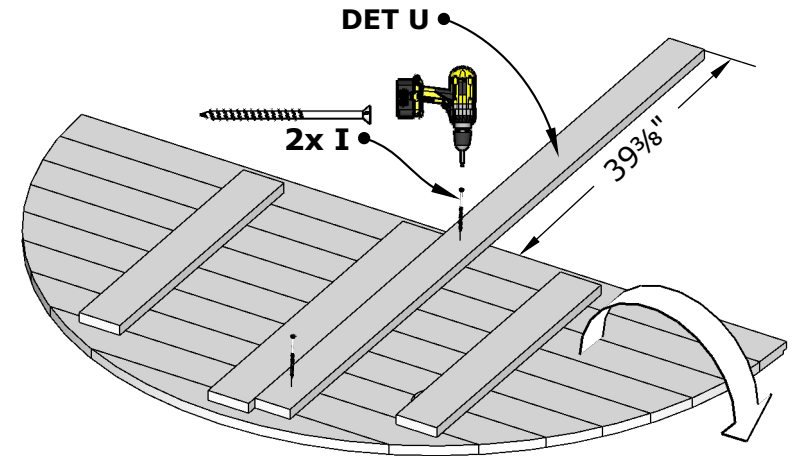
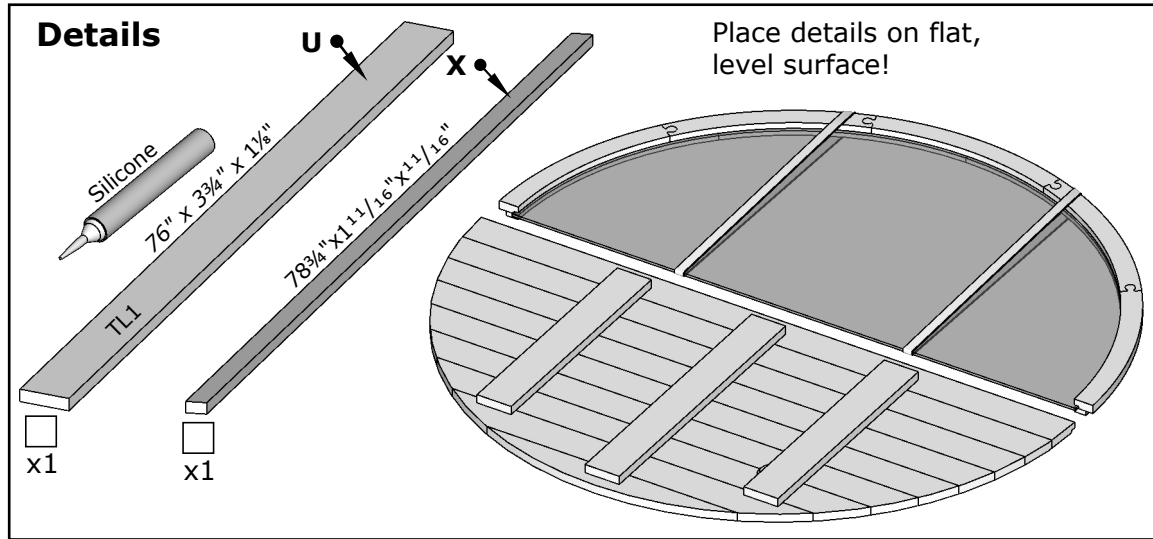
DET U Fix it diagonally to make wall more rigid during the installation.



Proceed with main installation manual!

II

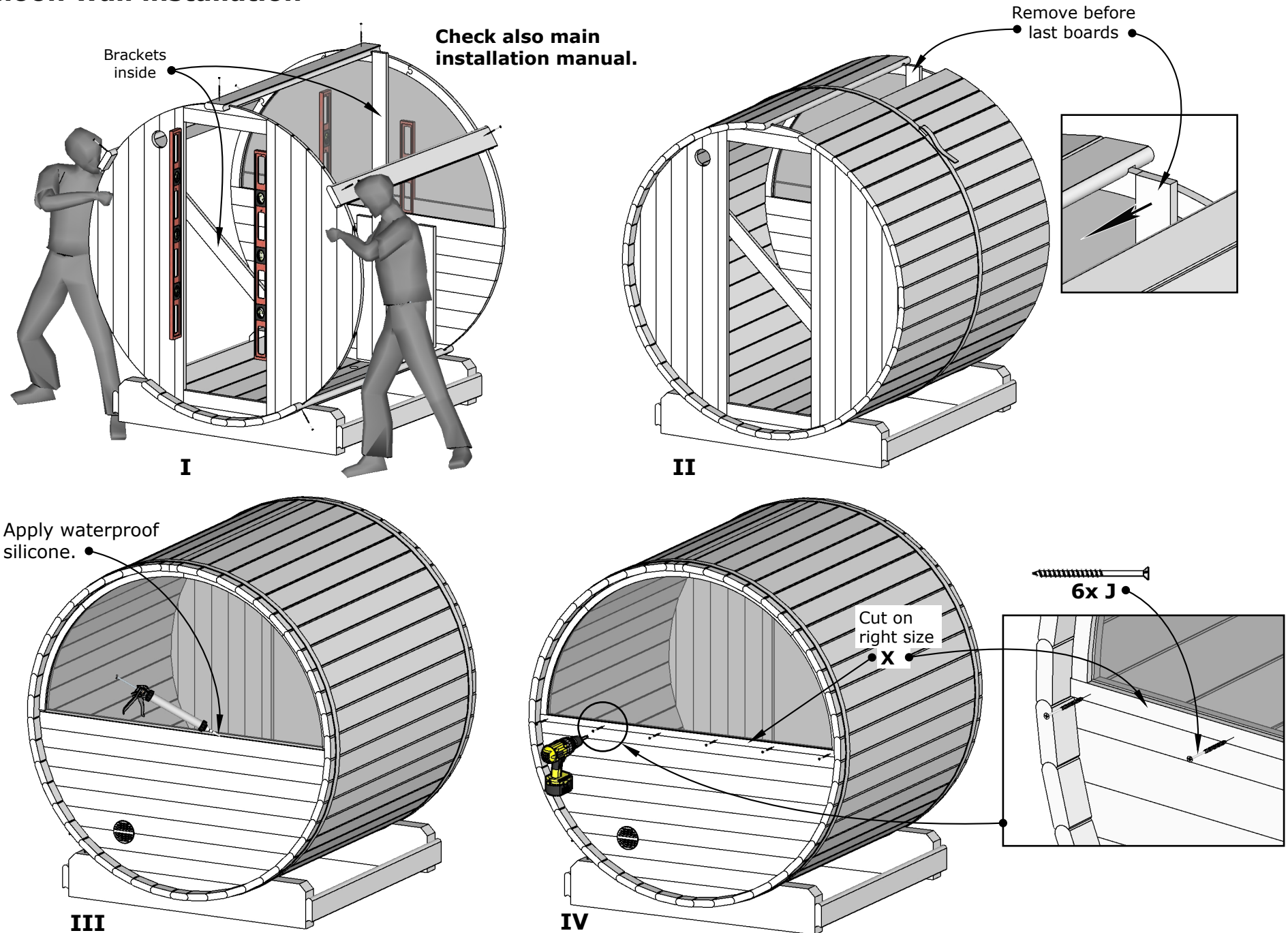
Half-moon wall installation



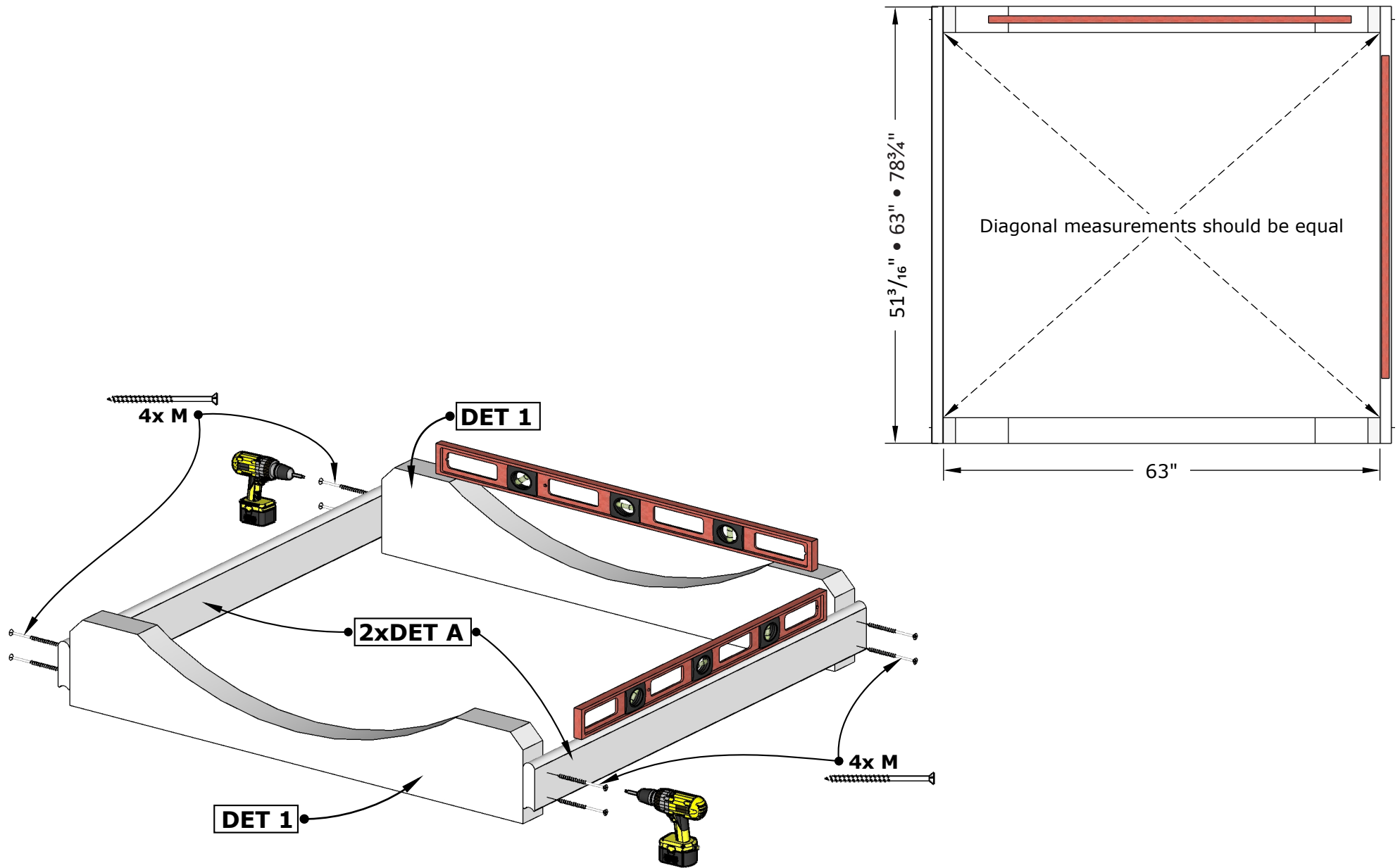
1.

WARNING: Do not let screws touch glass!

Half-moon wall installation

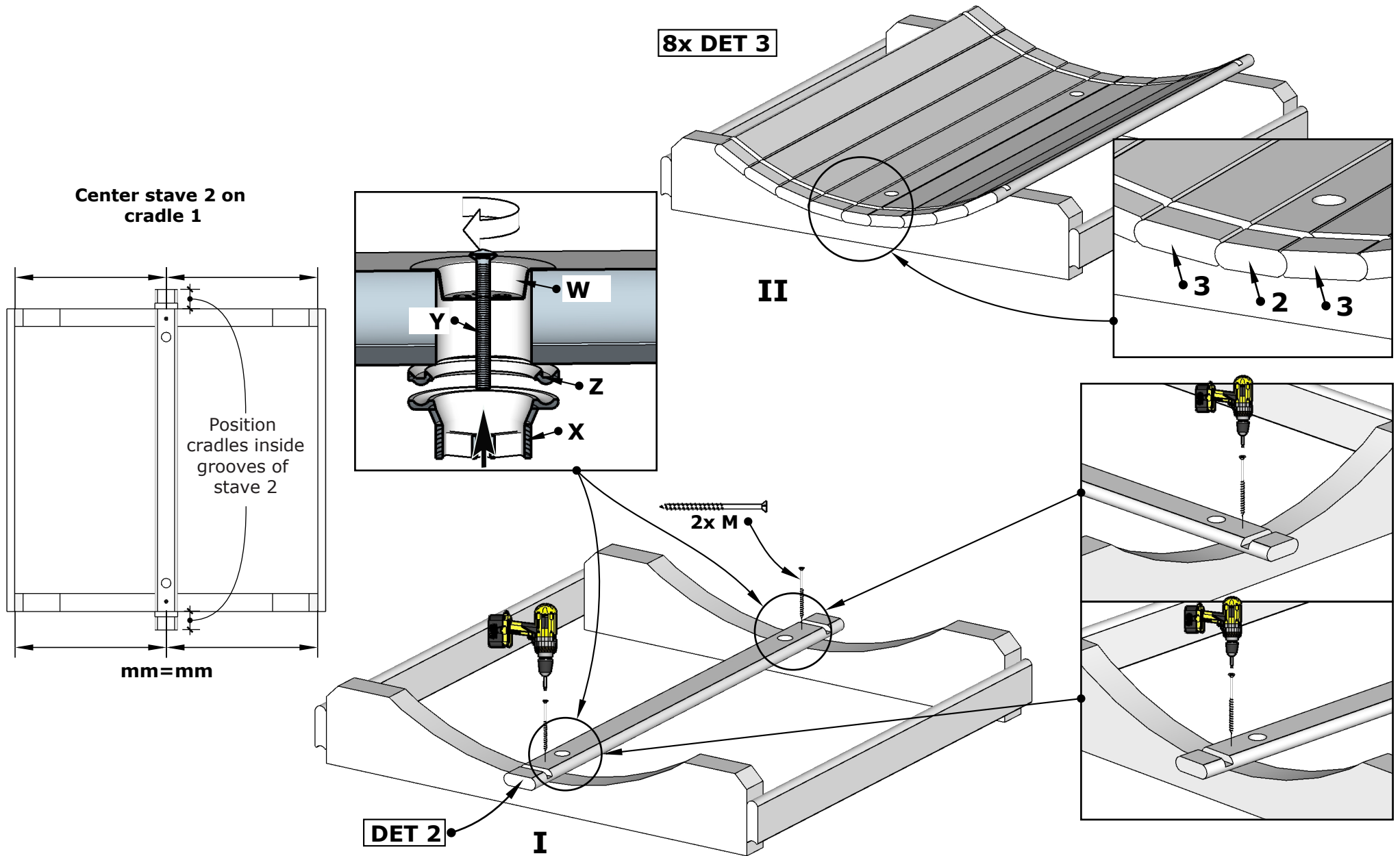


E7W Barrel Sauna 71D" x 81H"

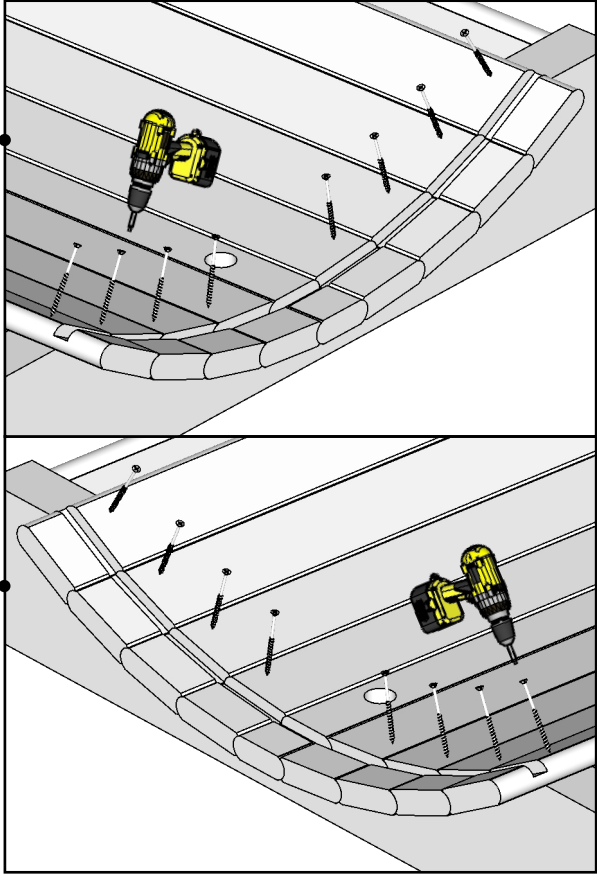
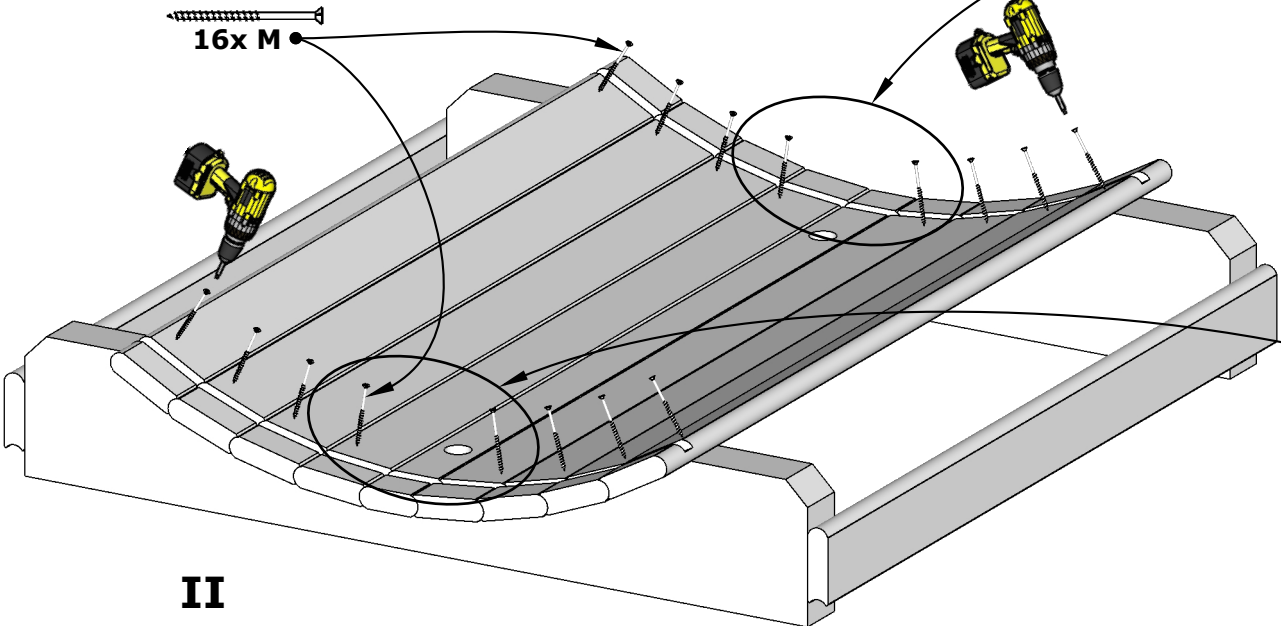
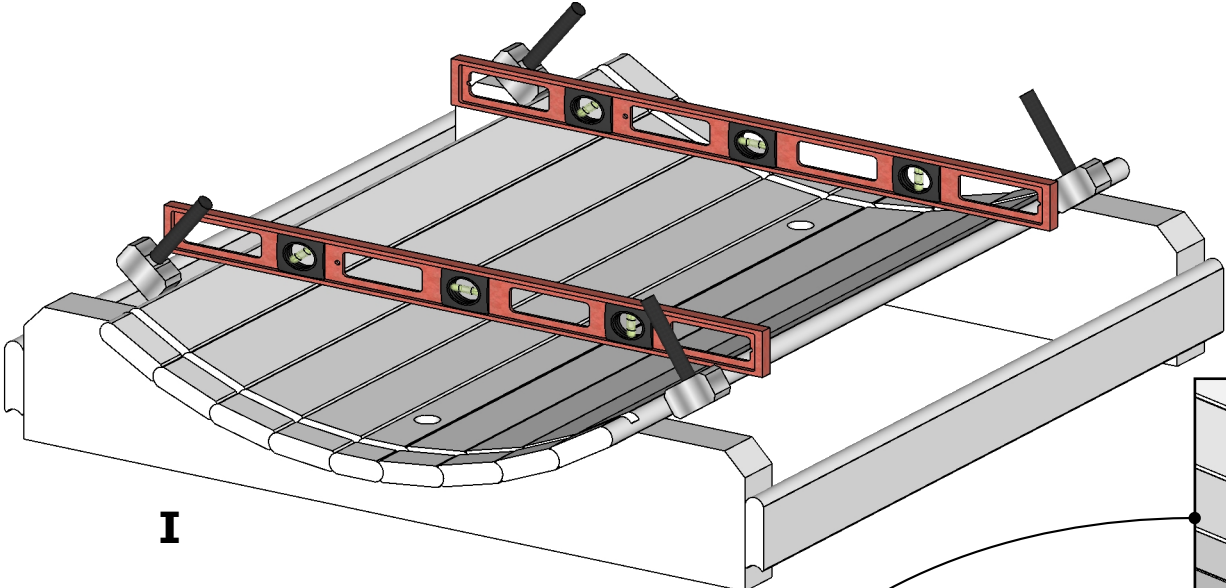


1.

E7W Barrel Sauna 71D" x 81H"

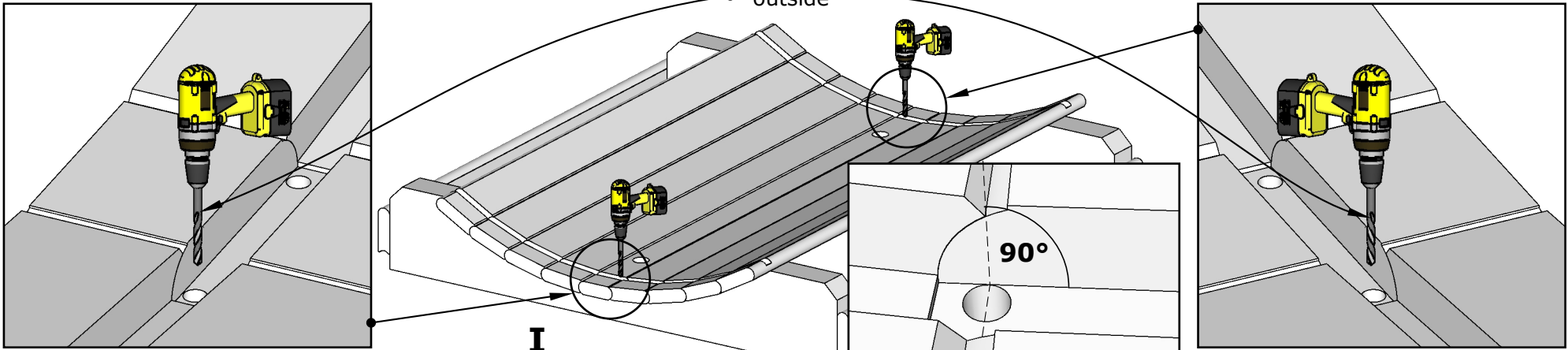


E7W Barrel Sauna 71D" x 81H"

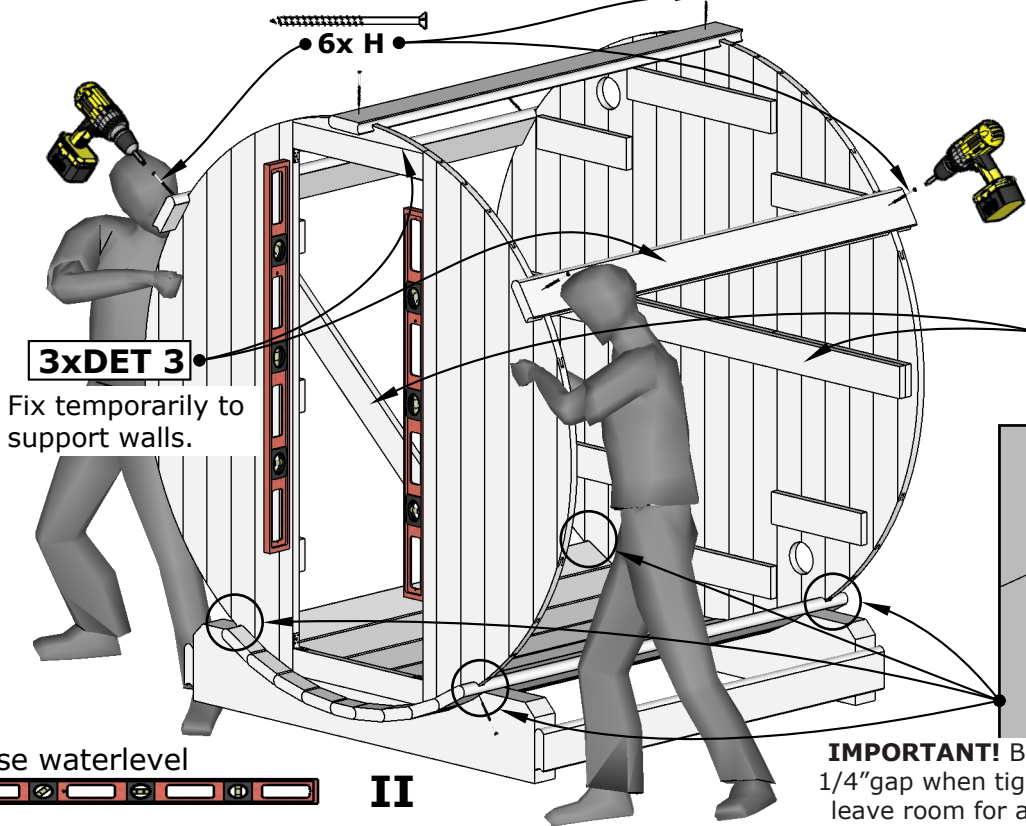


E7W Barrel Sauna 71D" x 81H"

Drill 4 holes $\varnothing 1/2"$
through DET 2
outside



I



3xDET 3

Fix temporarily to support walls.

6x H

Check walls installation manual on extra pages!

Sauna wall configuration depends on Your model!

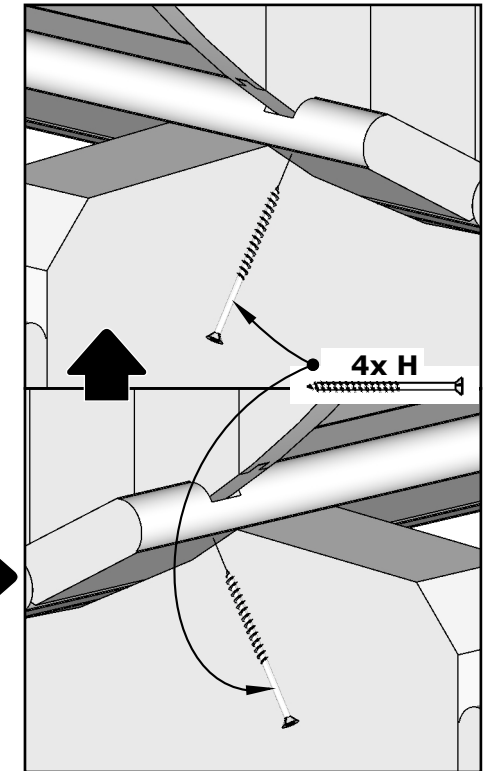
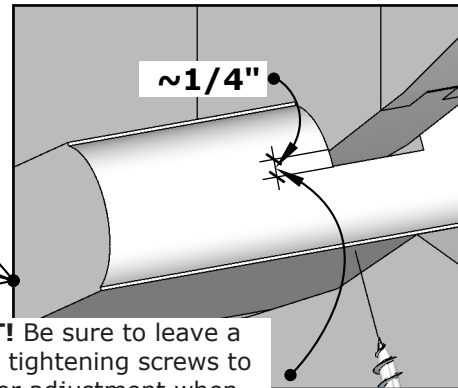
Brackets inside

Use waterlevel

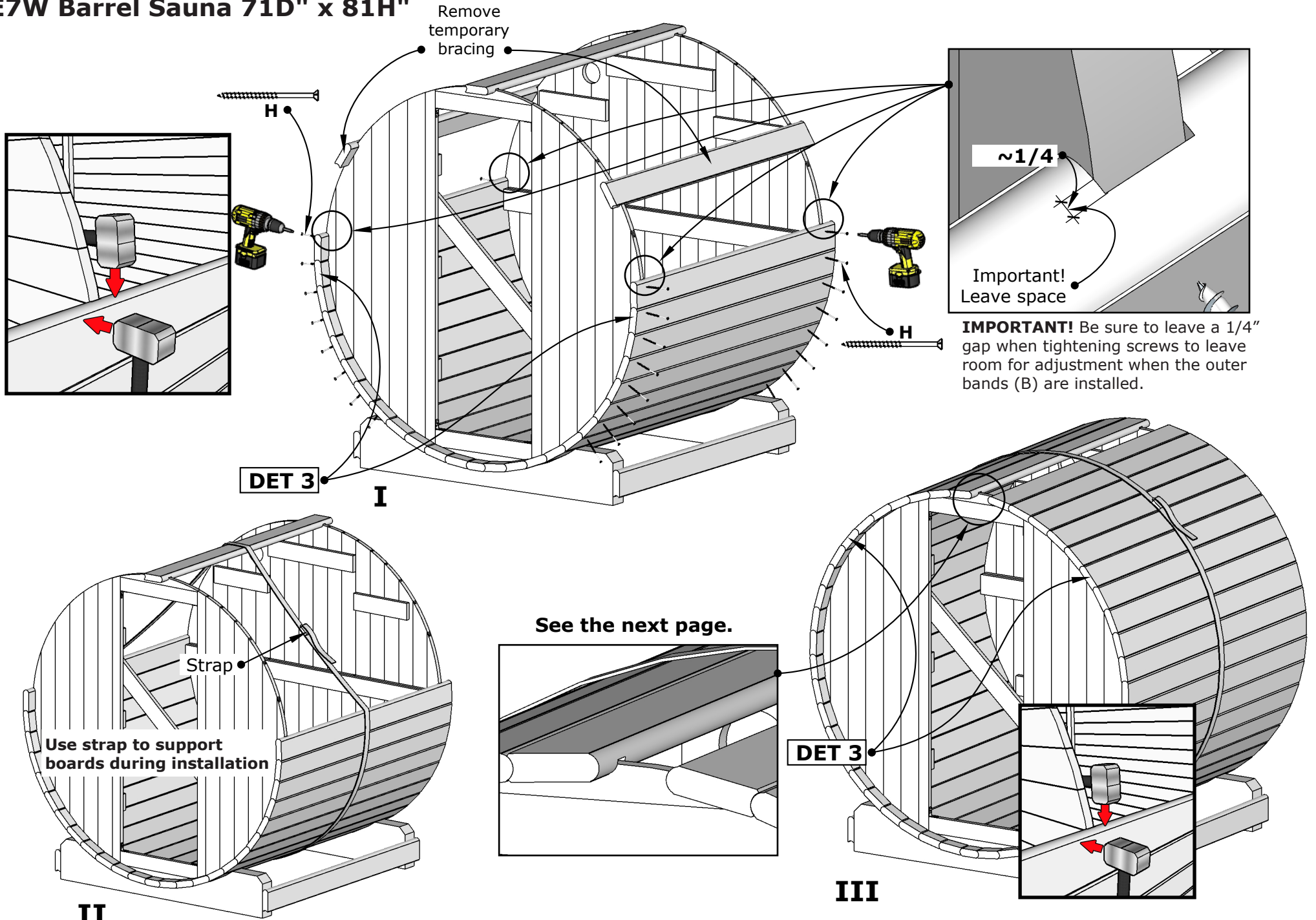


II

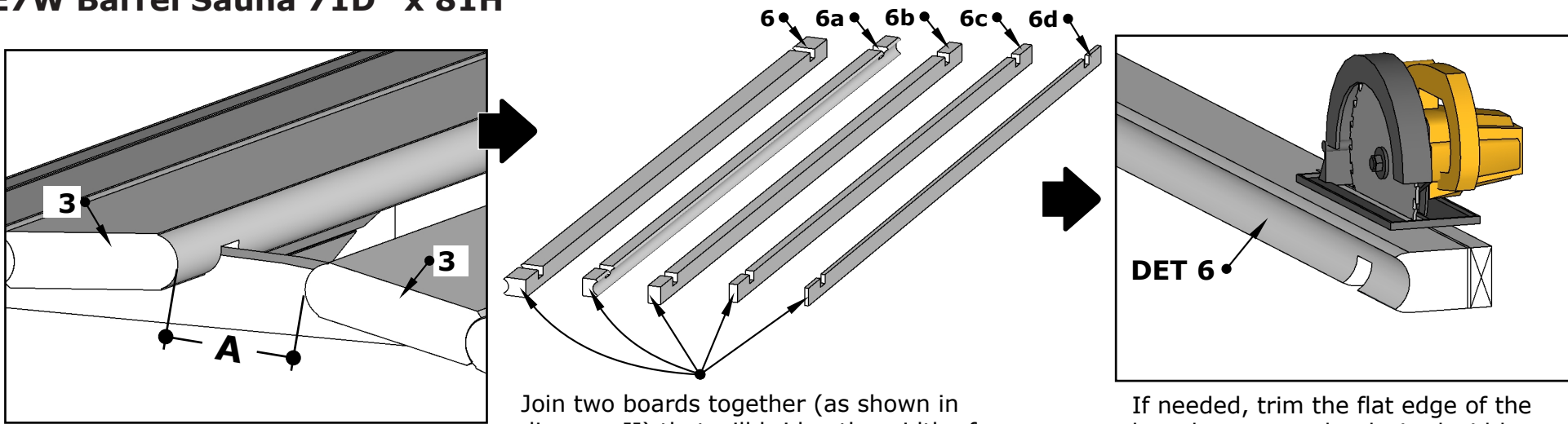
IMPORTANT! Be sure to leave a $1/4"$ gap when tightening screws to leave room for adjustment when the outer bands (B) are installed.



E7W Barrel Sauna 71D" x 81H"



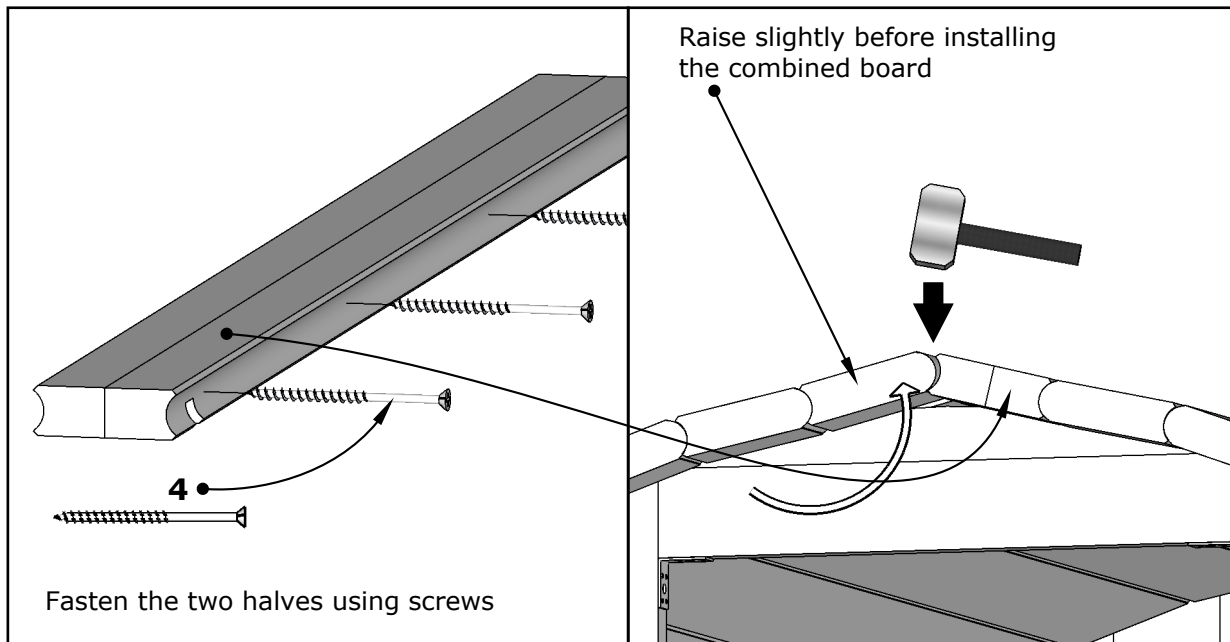
E7W Barrel Sauna 71D" x 81H"



I

Join two boards together (as shown in diagram II) that will bridge the width of the "A" gap. It is recommended that the combined boards are approximately 1/4" wider than the gap.

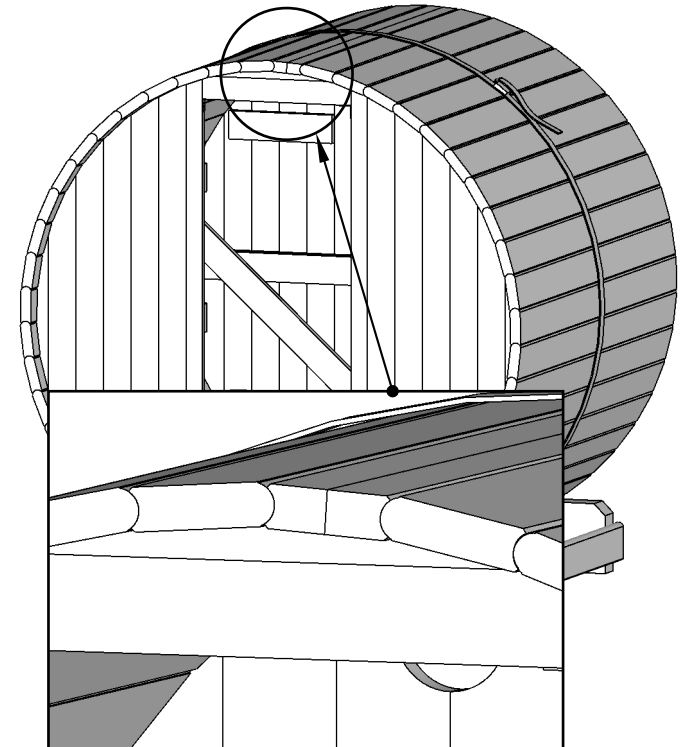
If needed, trim the flat edge of the board to create the desired width.



Fasten the two halves using screws

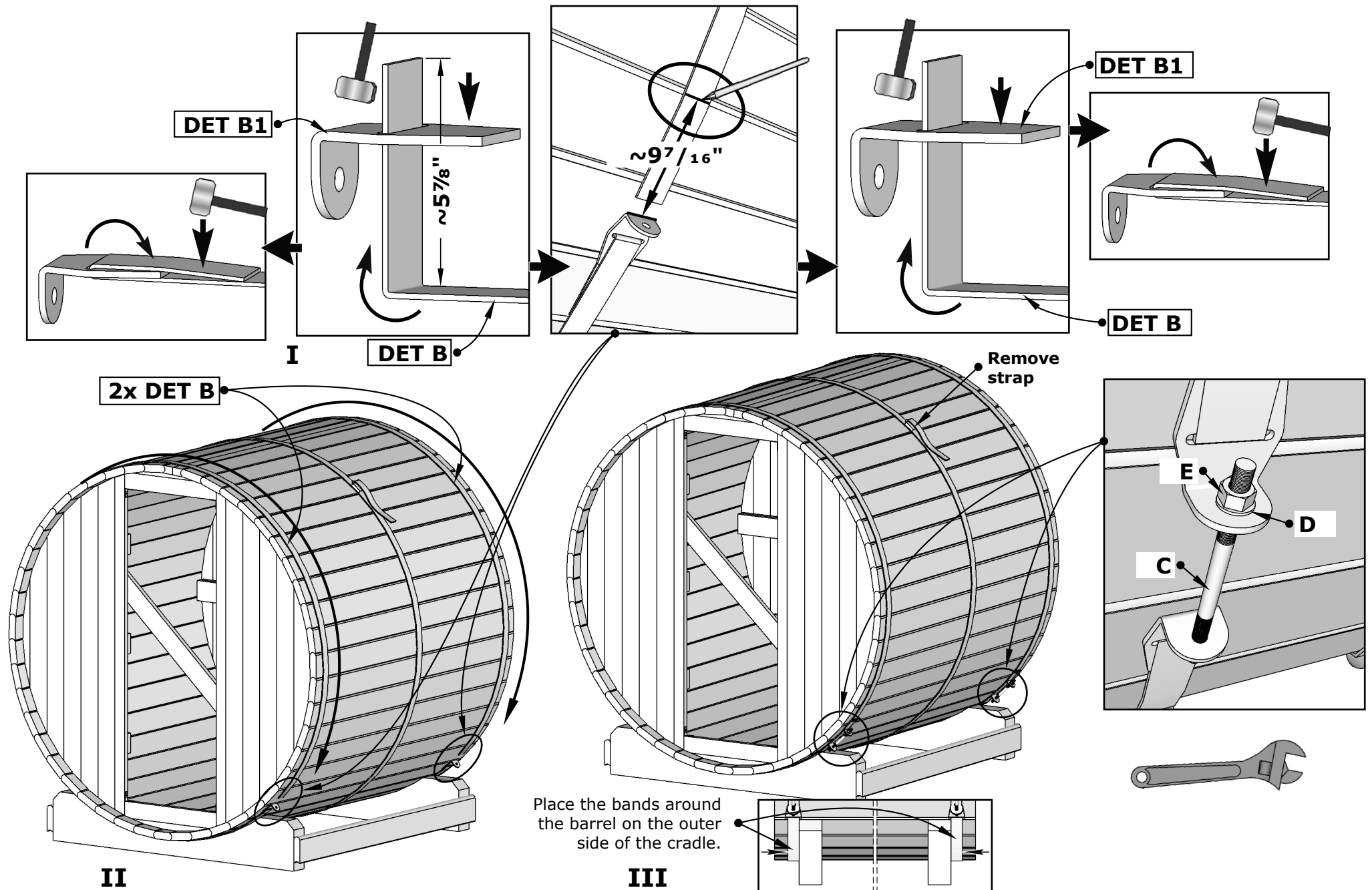
Raise slightly before installing the combined board

II



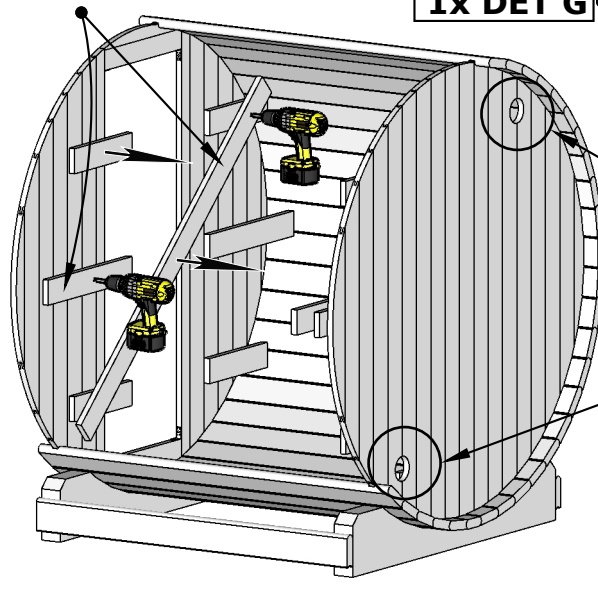
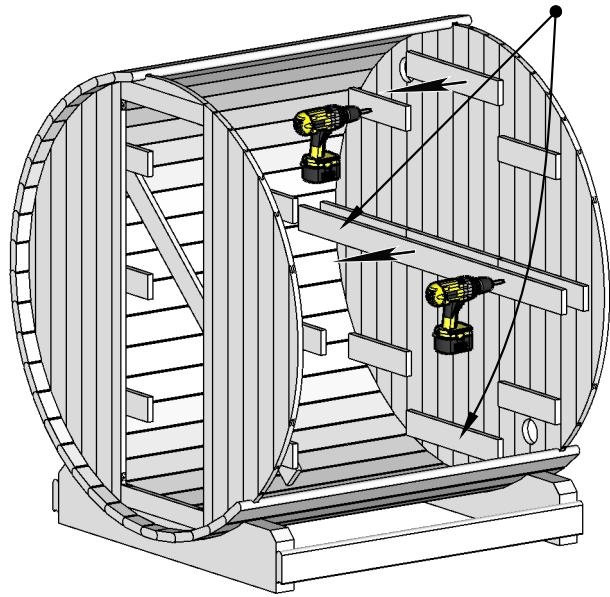
III

E7W Barrel Sauna 71D" x 81H"

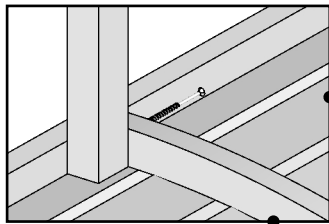
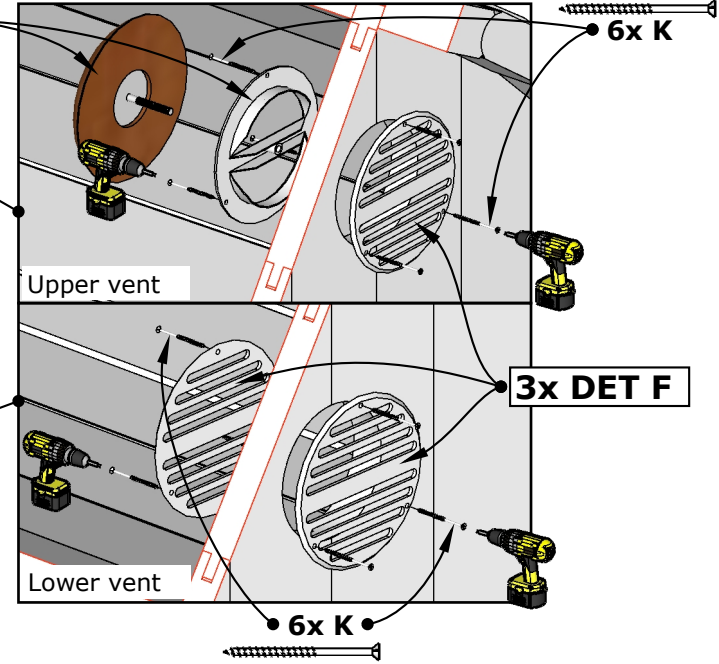


E7W Barrel Sauna 71D" x 81H"

Remove all temporary braces



1x DET G

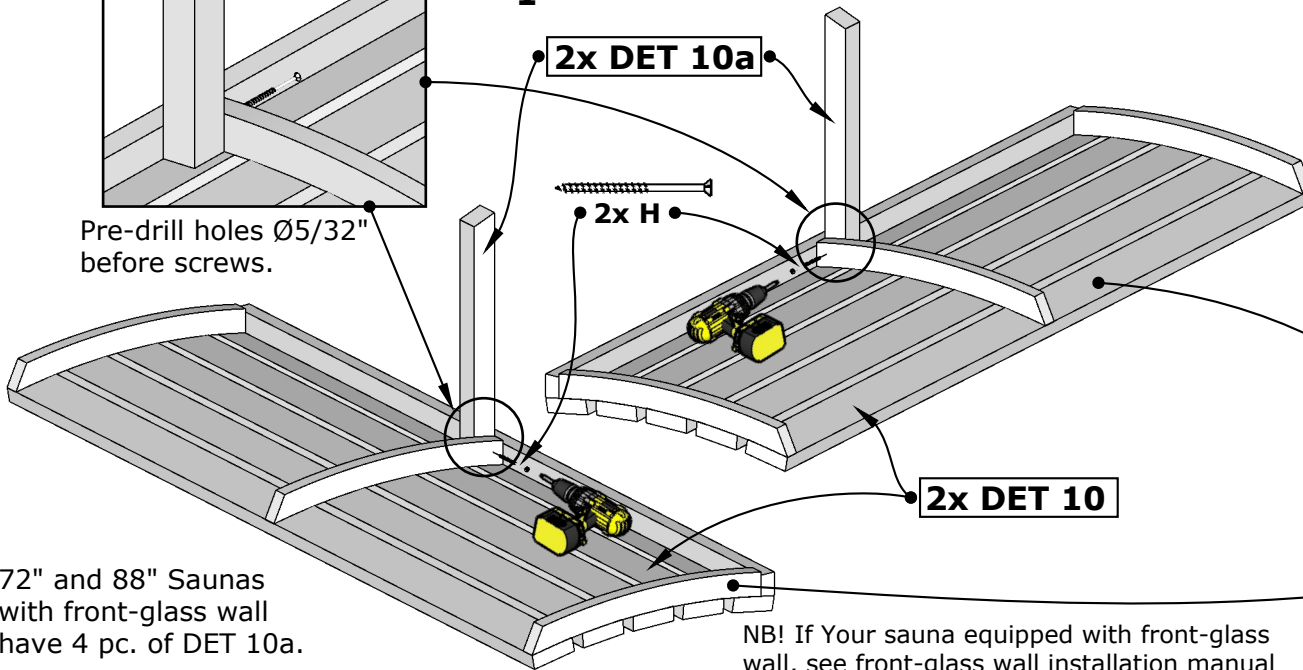


Pre-drill holes Ø5/32" before screws.

I

2x DET 10a

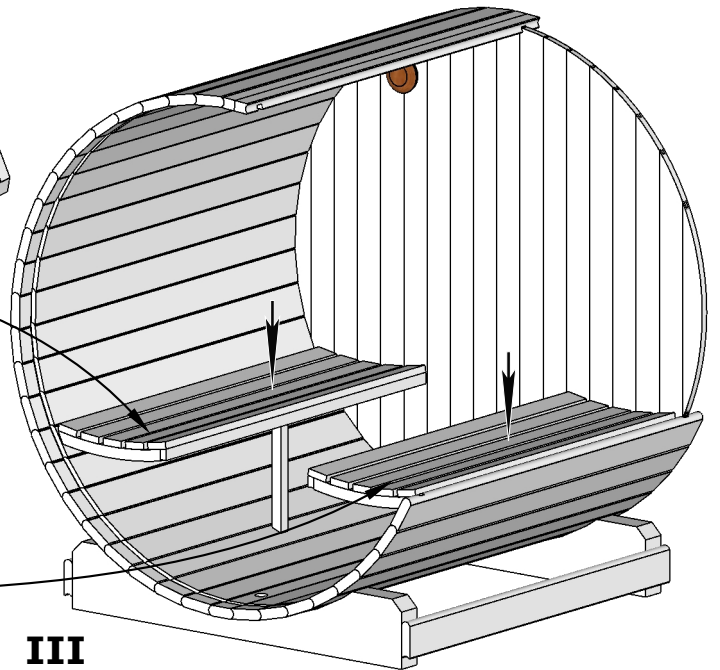
2x H



2x DET 10

72" and 88" Saunas with front-glass wall have 4 pc. of DET 10a.

NB! If Your sauna equipped with front-glass wall, see front-glass wall installation manual for proper benches installation.

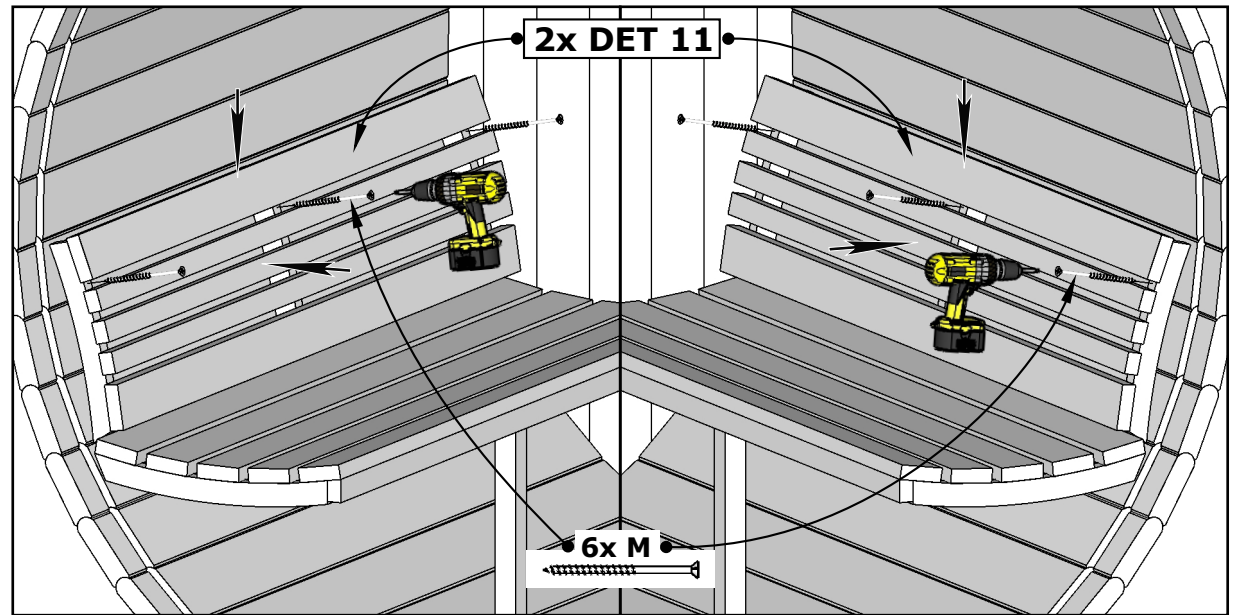
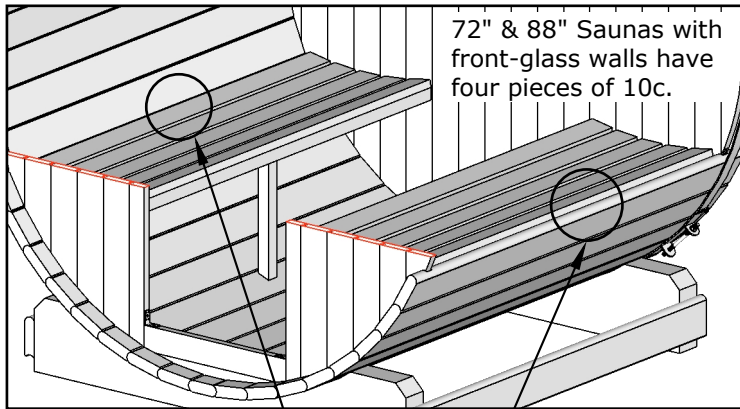
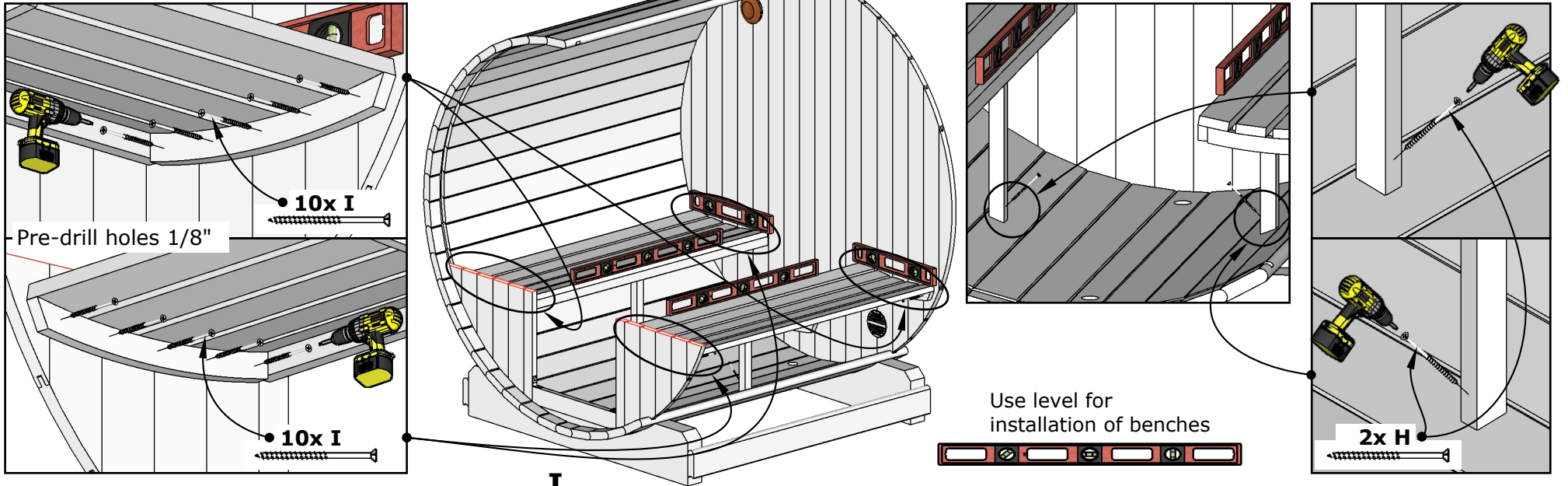


III

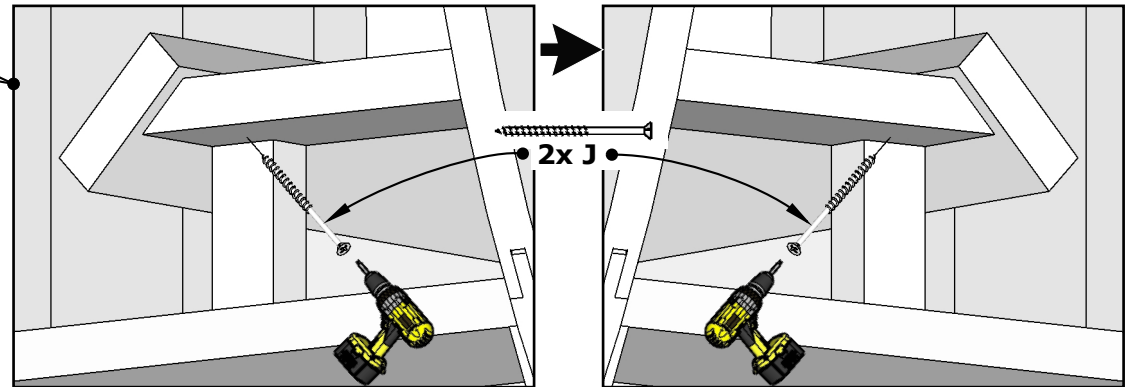
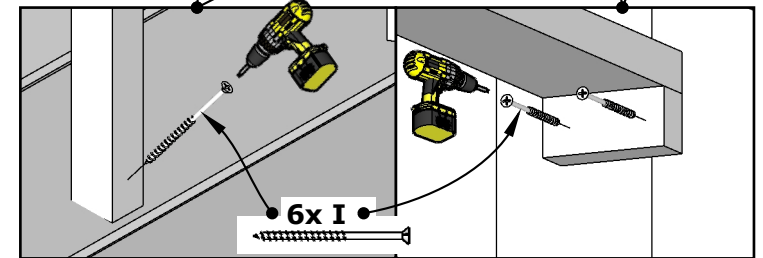
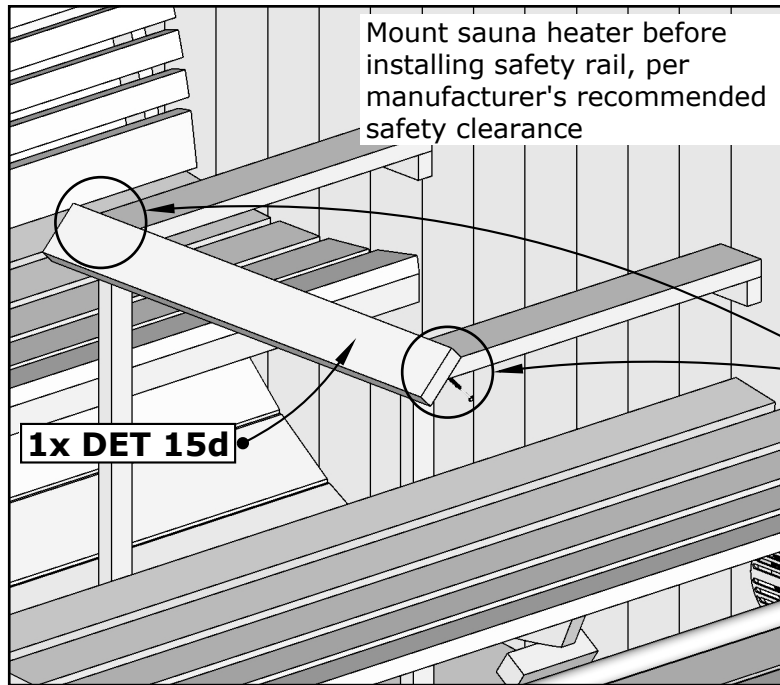
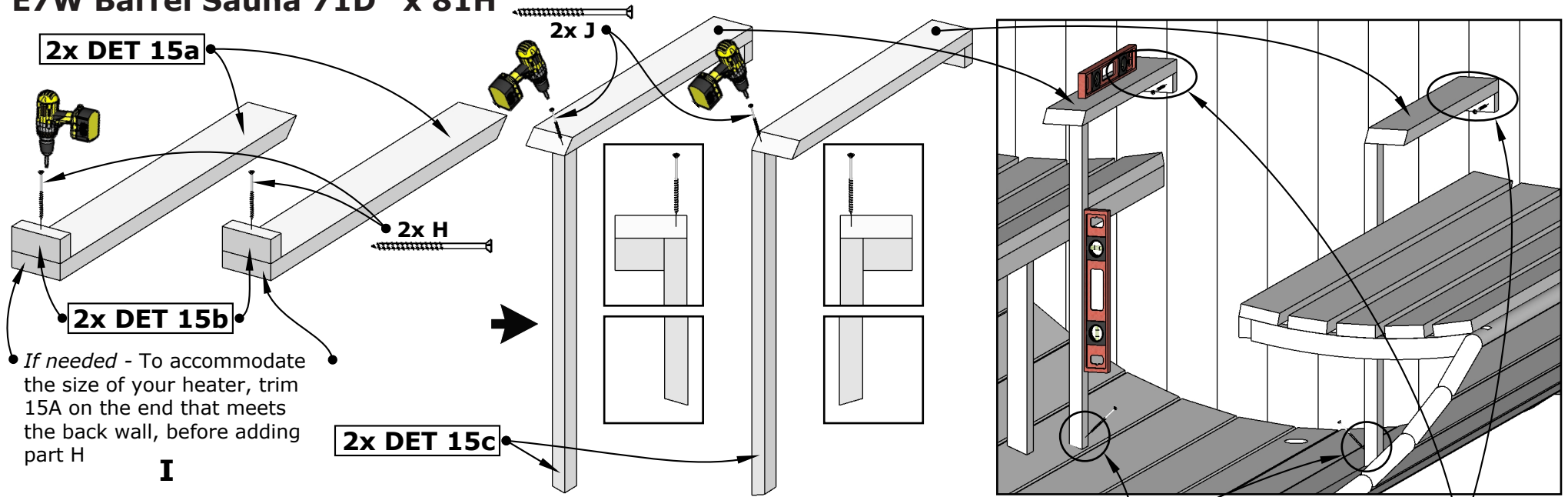
8.

II

E7W Barrel Sauna 71D" x 81H"

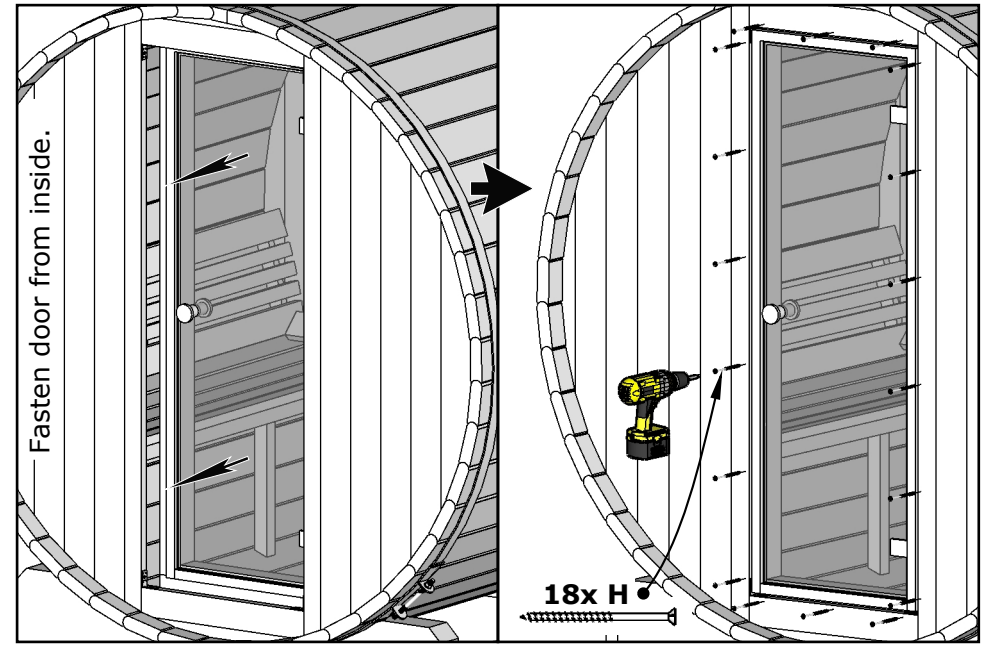
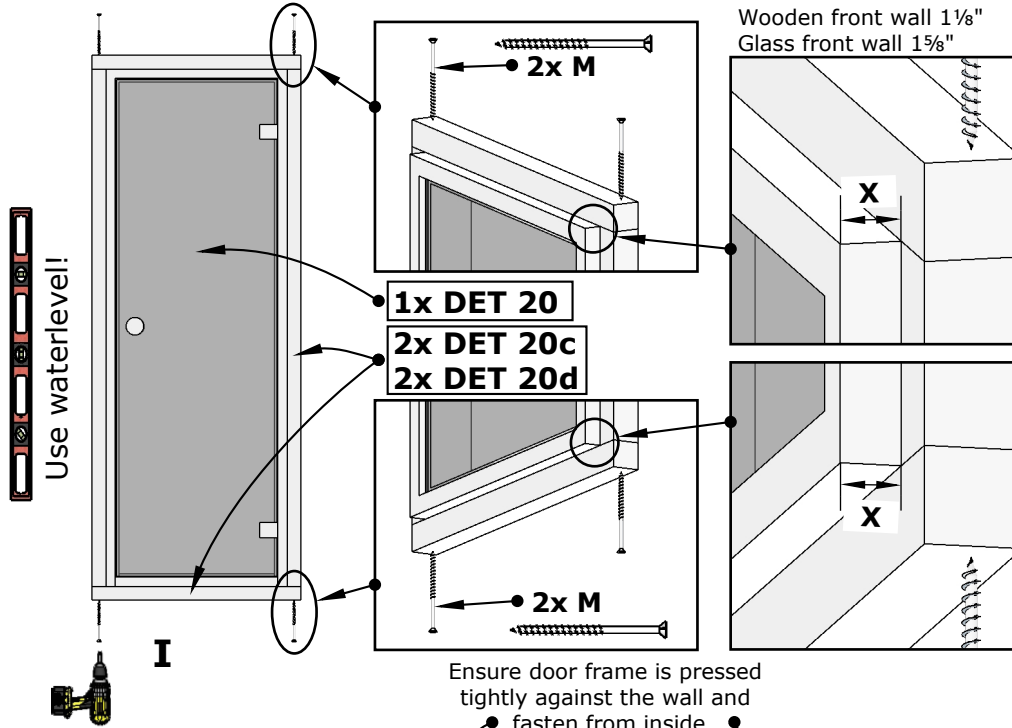


E7W Barrel Sauna 71D" x 81H"



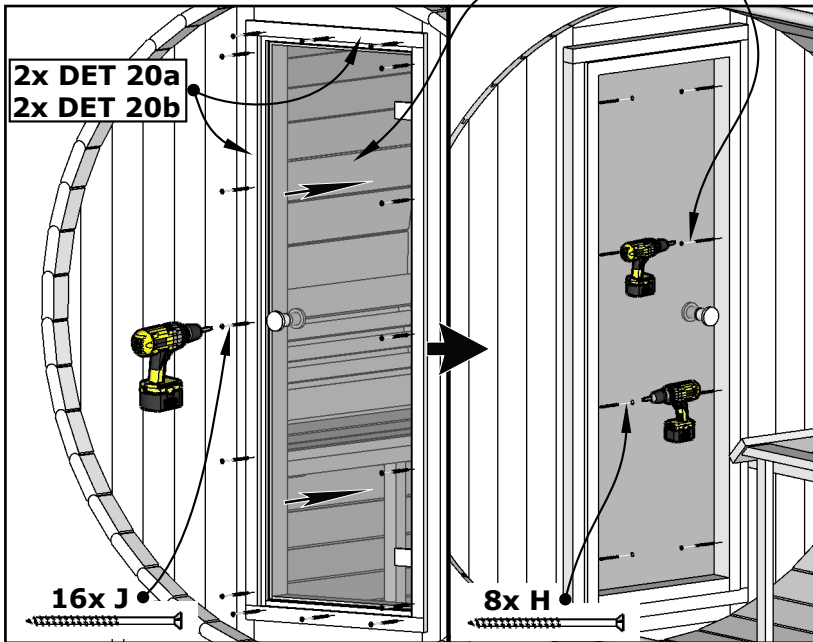
E7W Barrel Sauna 71D" x 81H"

X= Front wall thickness
 Wooden front wall 1 1/8"
 Glass front wall 1 5/8"

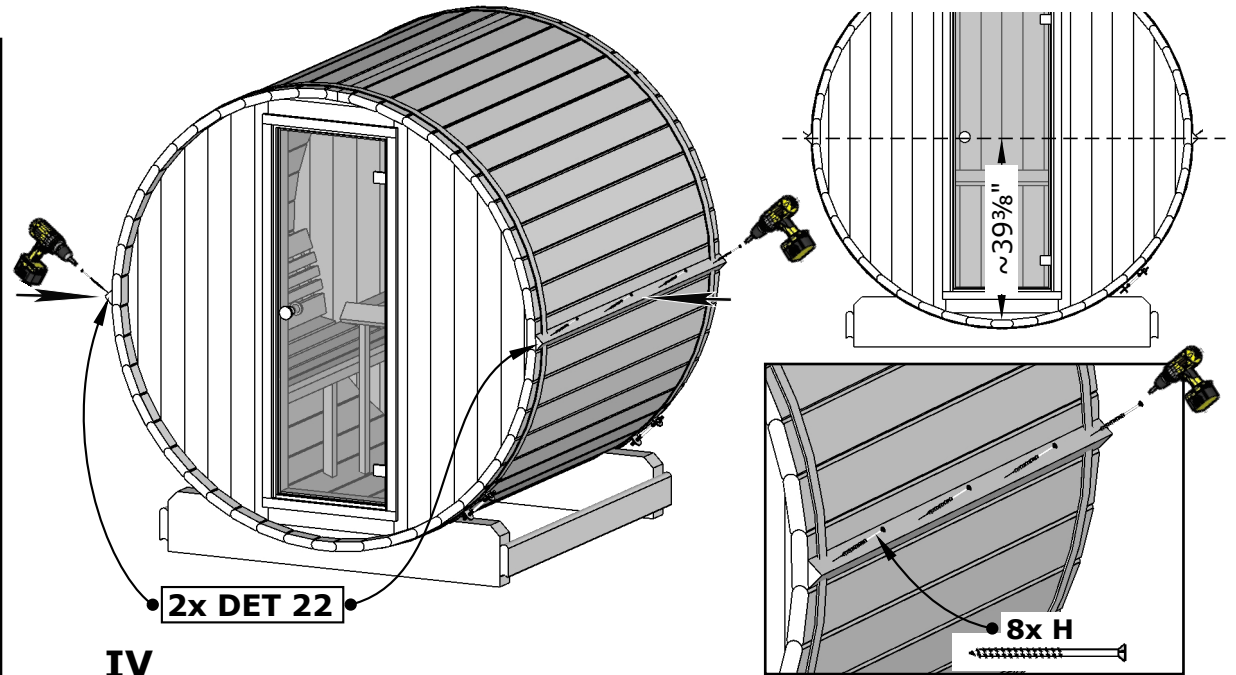


II

Ensure door frame is pressed tightly against the wall and fasten from inside



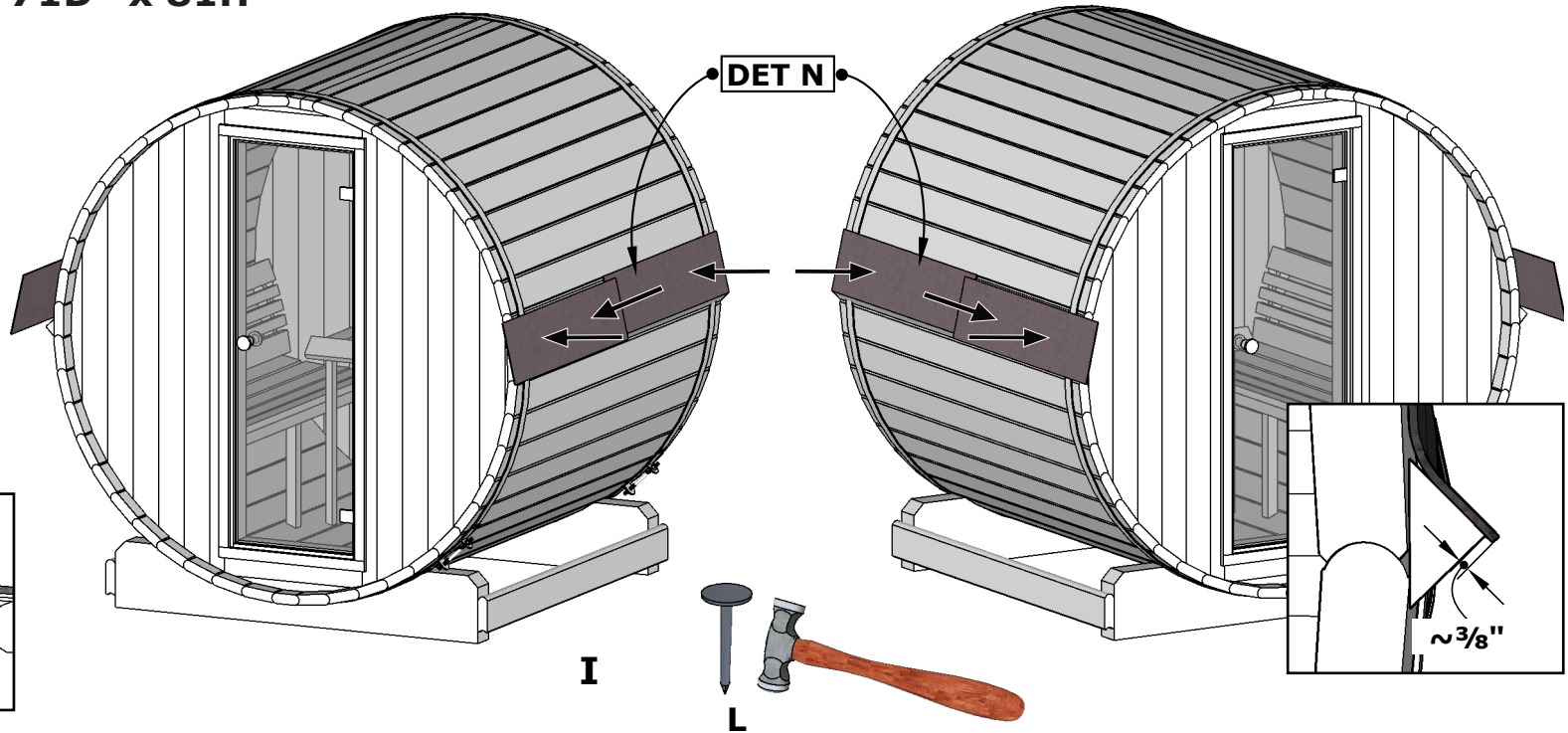
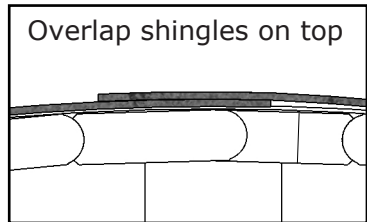
11. III



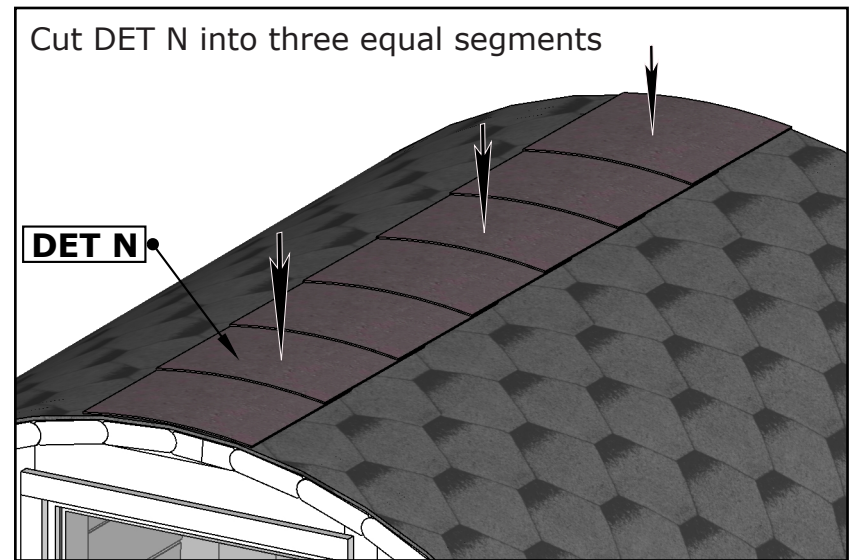
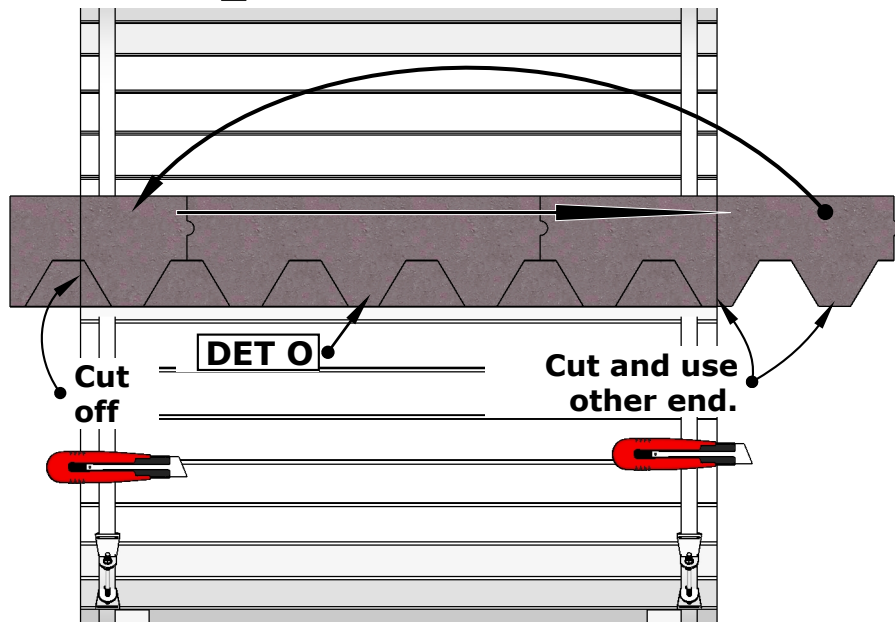
IV

E7W Barrel Sauna 71D" x 81H"

See the installation manual inside the shingles package



Check also roof shingles installation manual inside package.



E7W Barrel Sauna 71D" x 81H"

