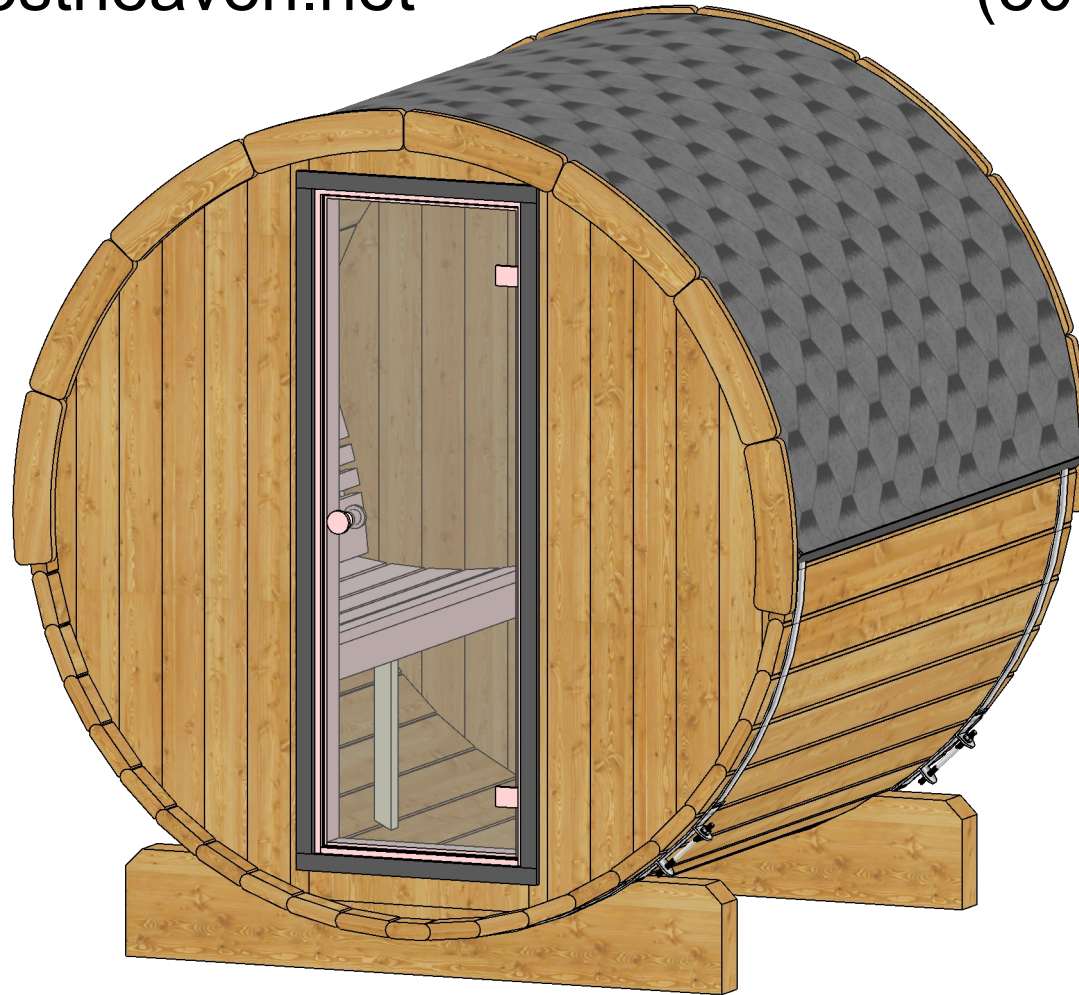




Ergo-Series E8 Barrel Sauna

87D" x 81H"

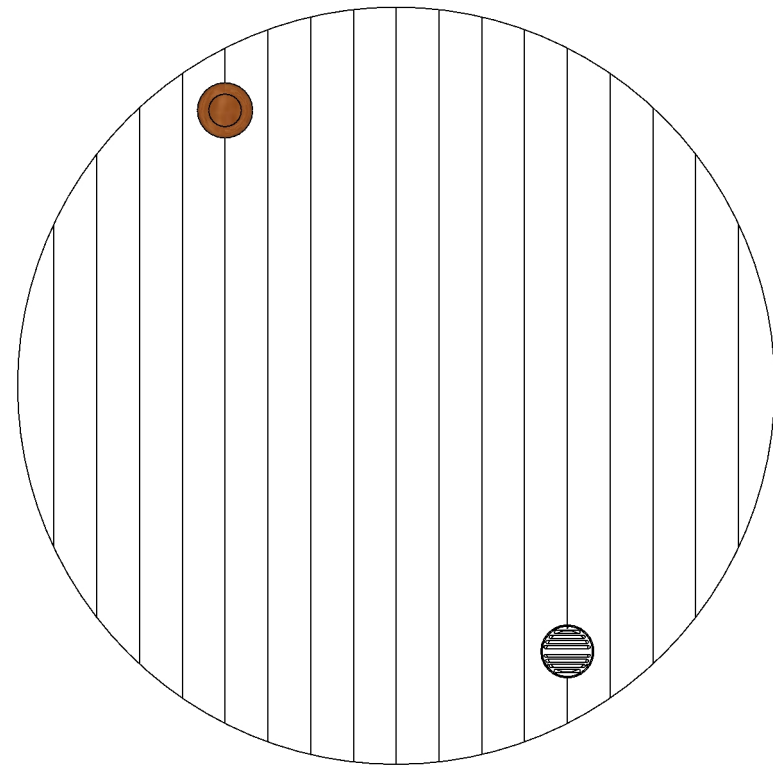
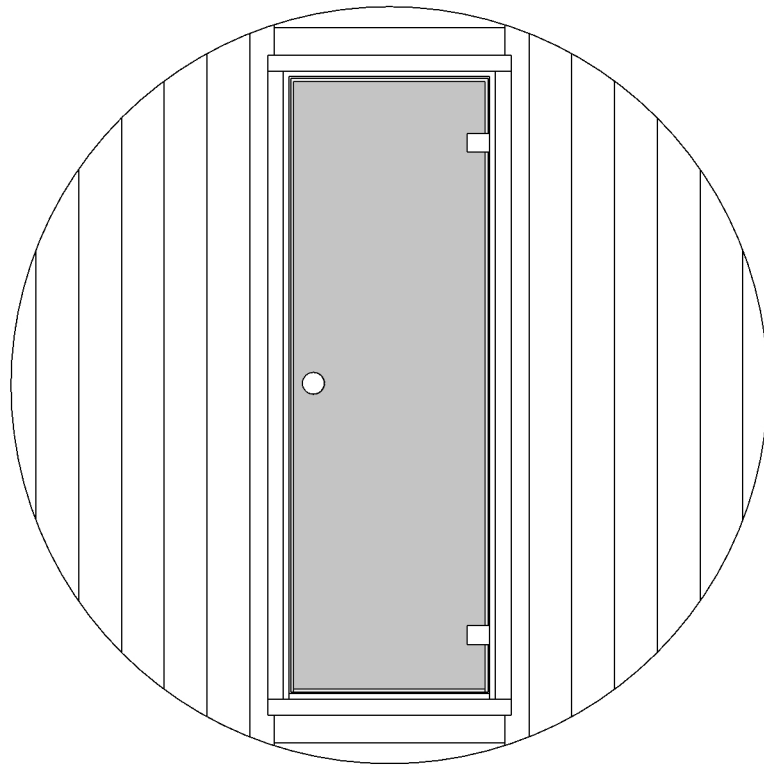
Almost Heaven Group LLC - <https://www.almostheaven.net>
sales@almostheaven.net (304) 645-2310



Note: Please read manual before construction

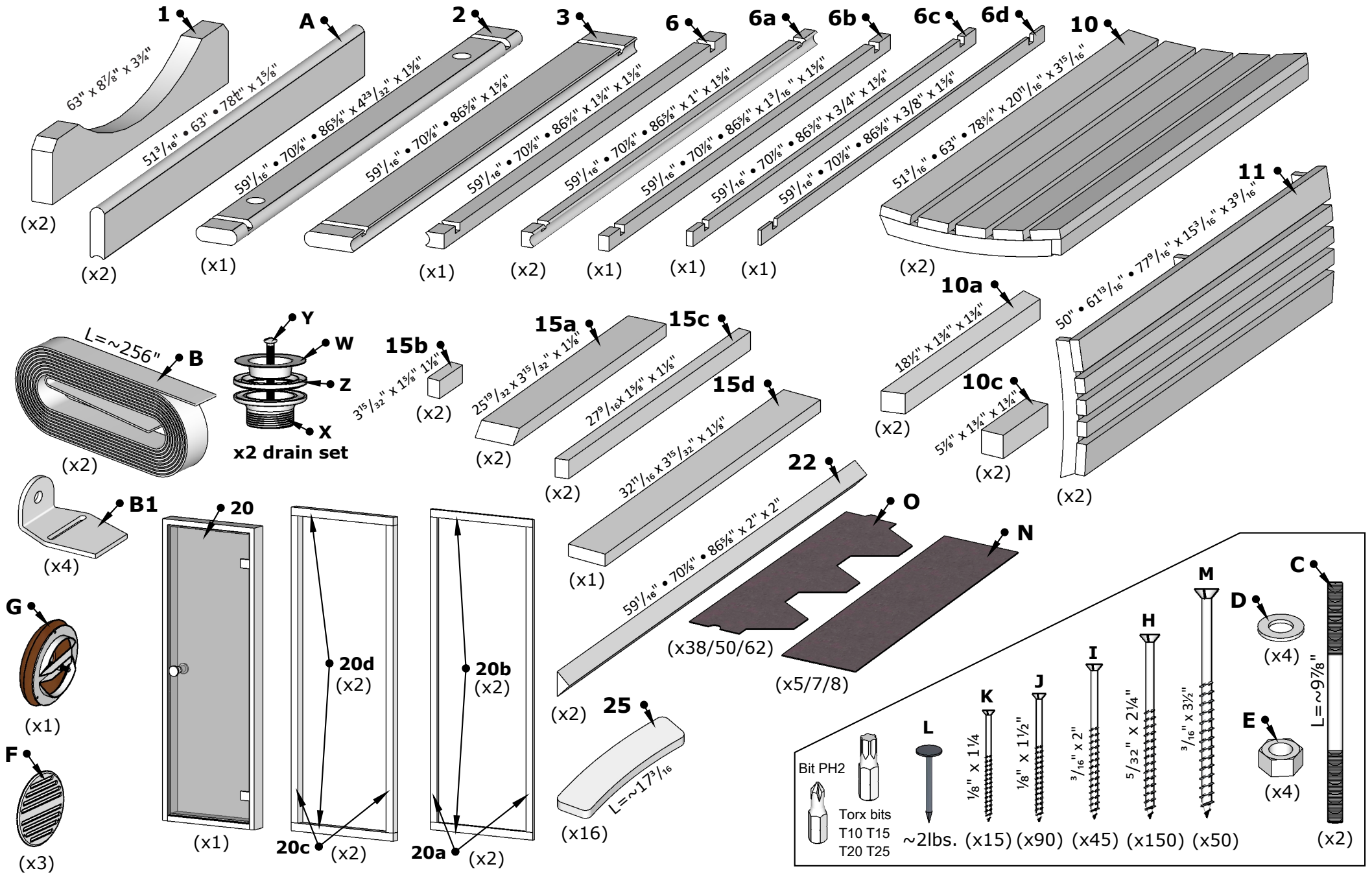
Rev 4/2023

Front & Back Walls

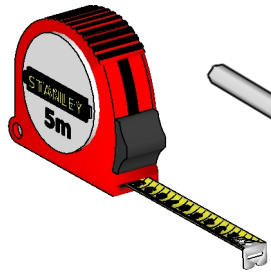


E8 Barrel Sauna 87D" x 81H"

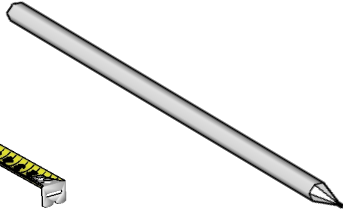
Details list.



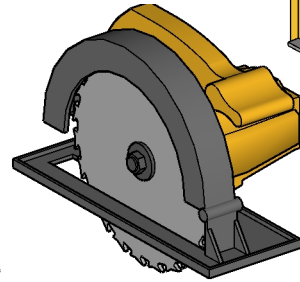
Tools needed



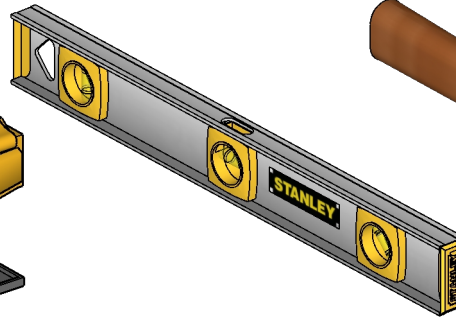
Measuring tape



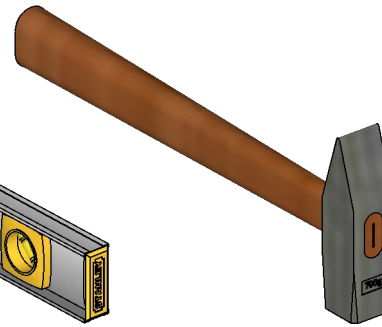
Marker pen



Circular saw



Water level



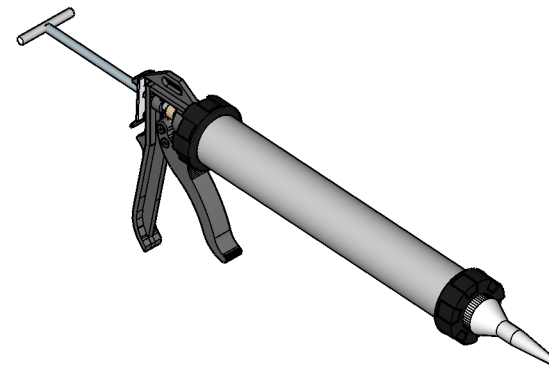
Hammer



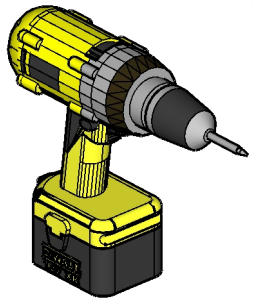
Extra hands



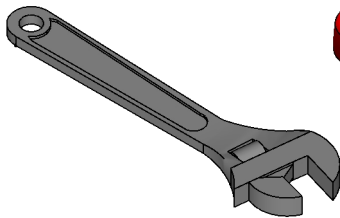
Ratchet strap



Silicone gun
(Only glass-wall models)



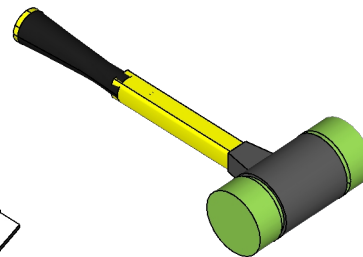
Drill



Crescent wrench



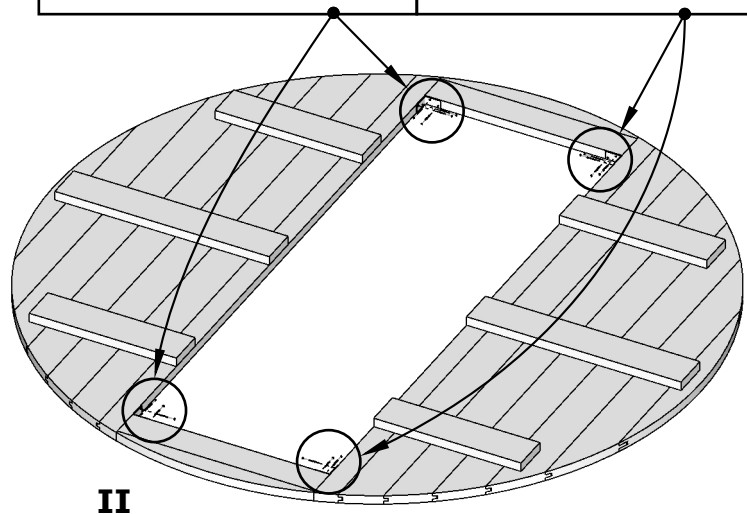
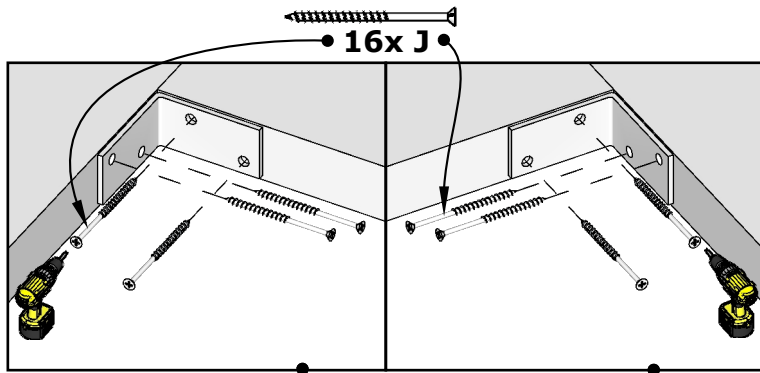
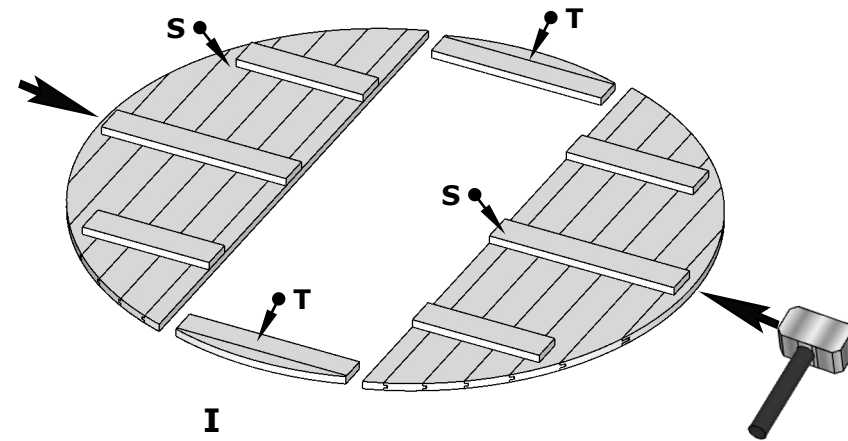
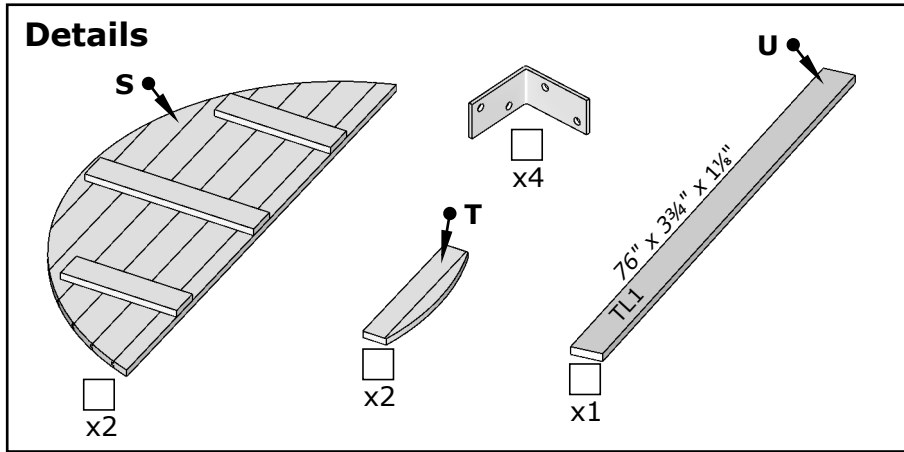
Utility knife



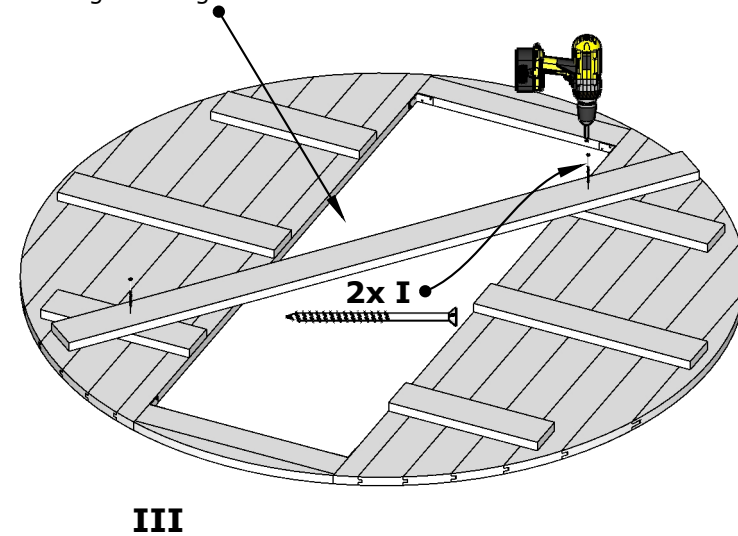
Rubber mallet

Wooden front wall installation

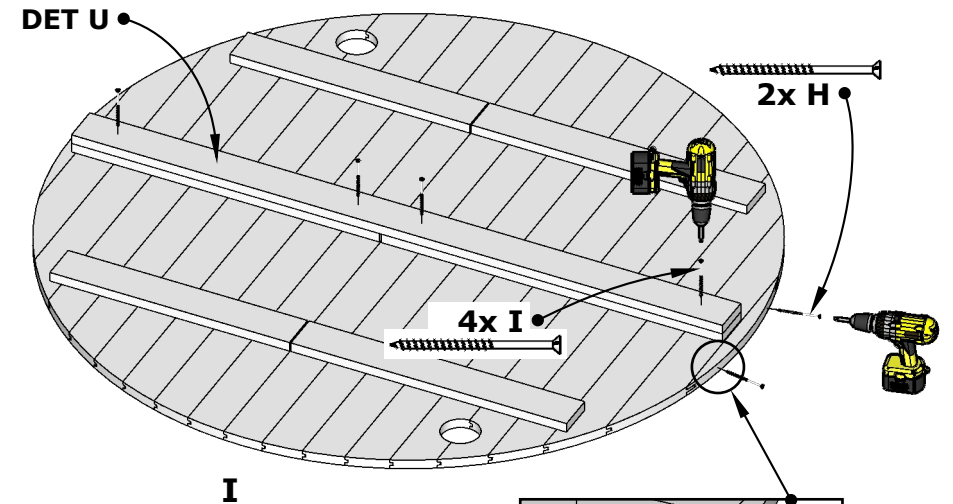
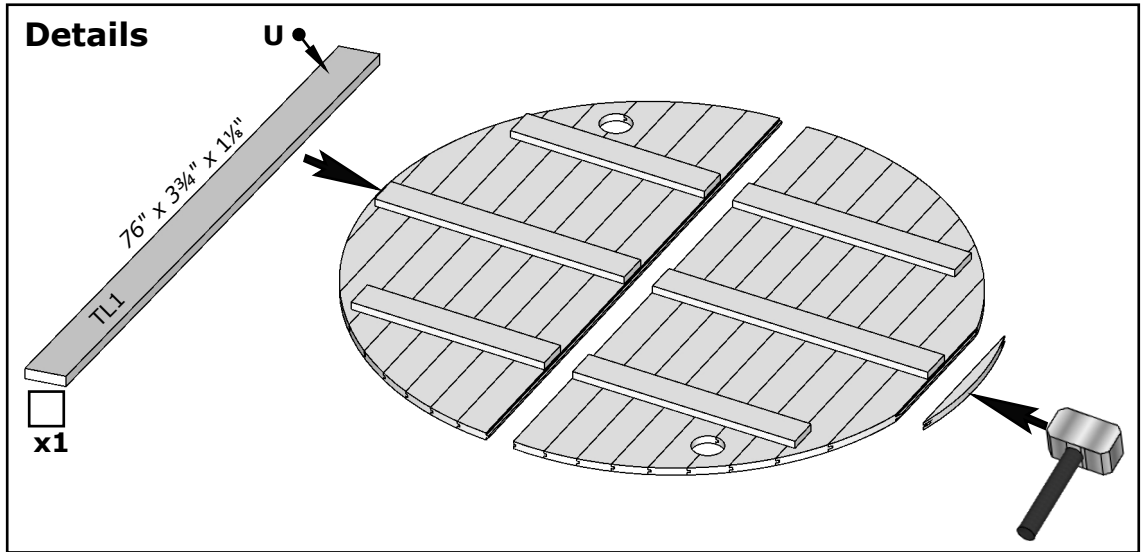
Details



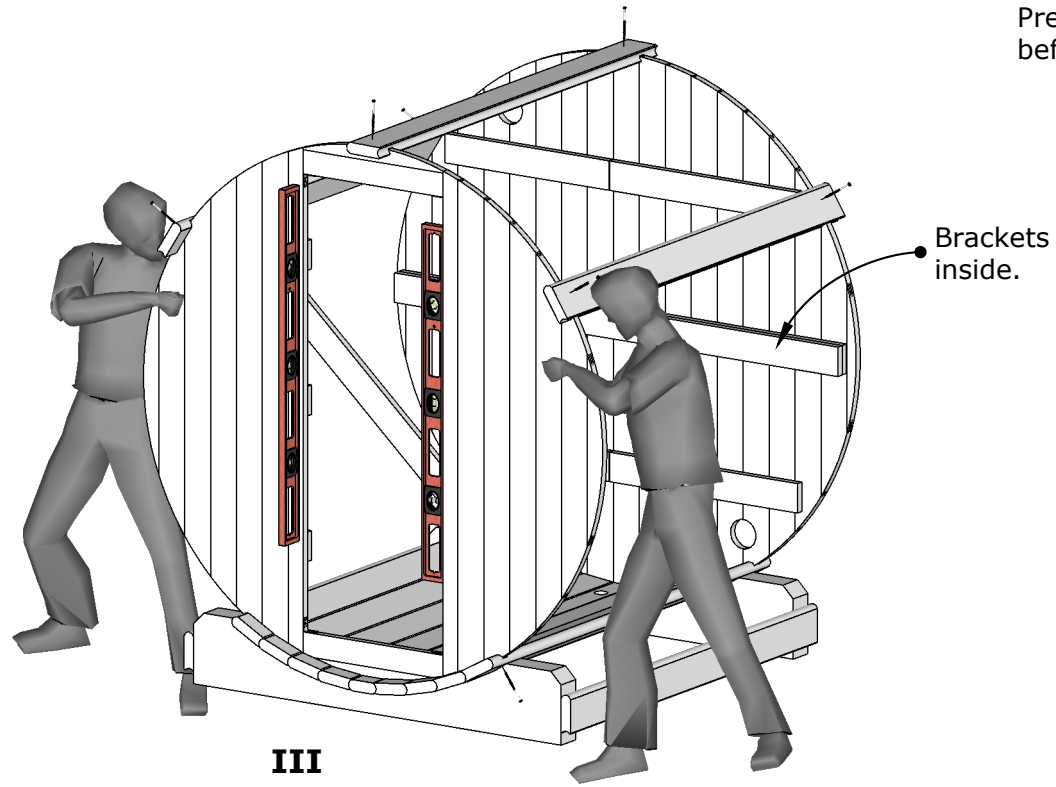
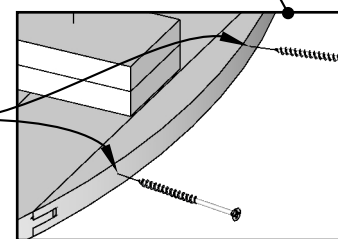
DET U Fix it diagonally to make wall more rigid during the installation.



Wooden back wall installation

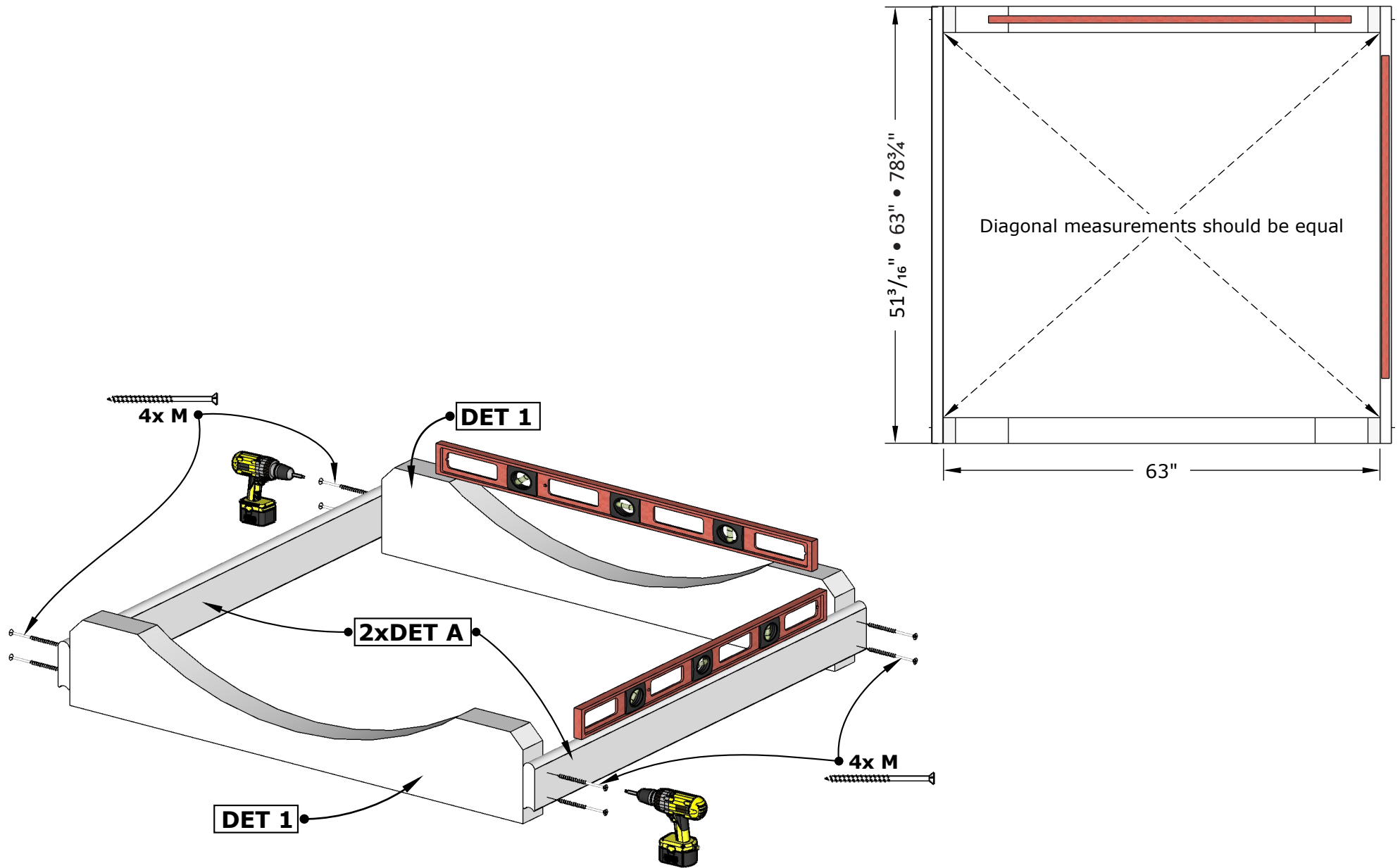


Pre-drill holes 5/32" before screws.



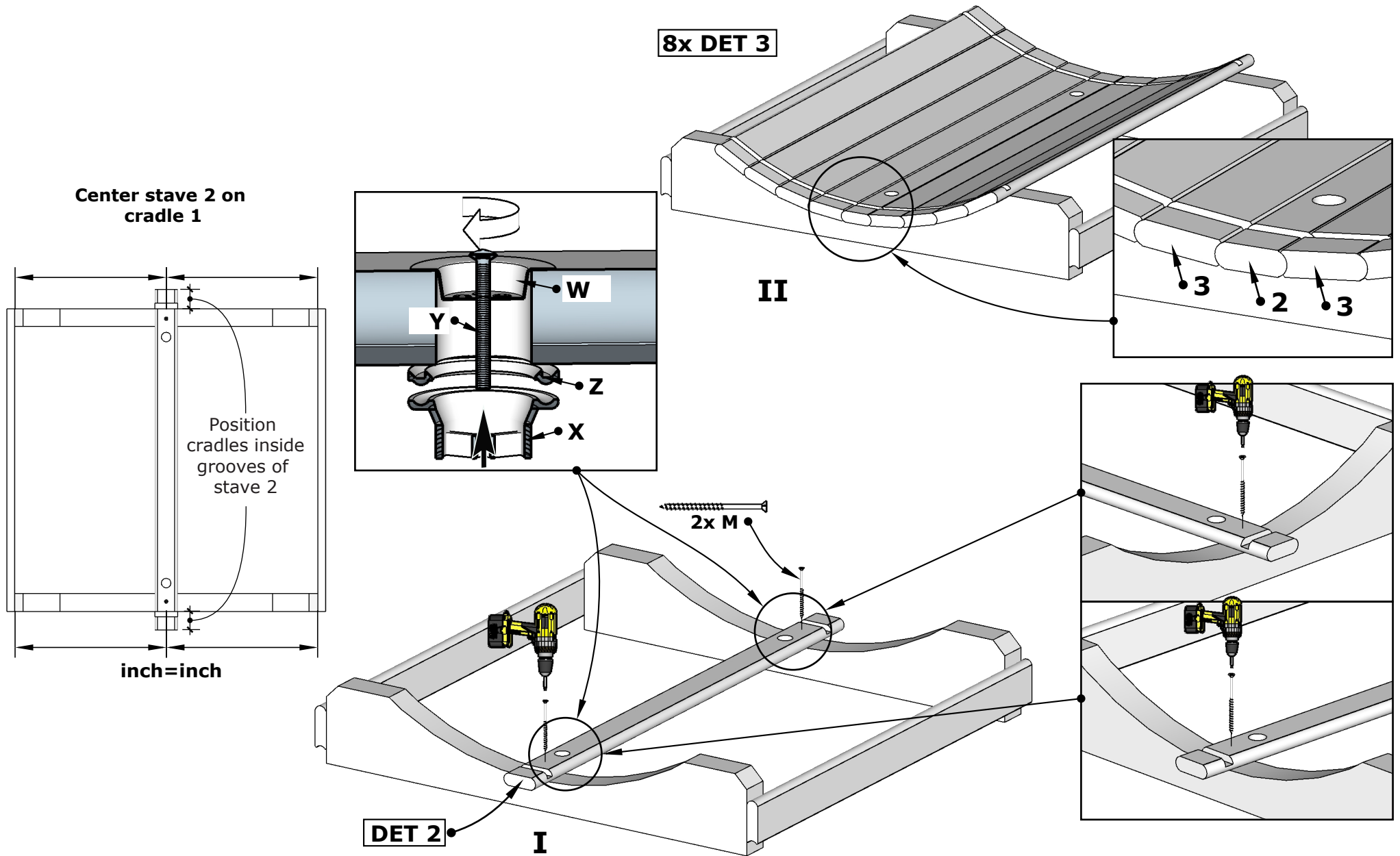
III

E8 Barrel Sauna 87D" x 81H"

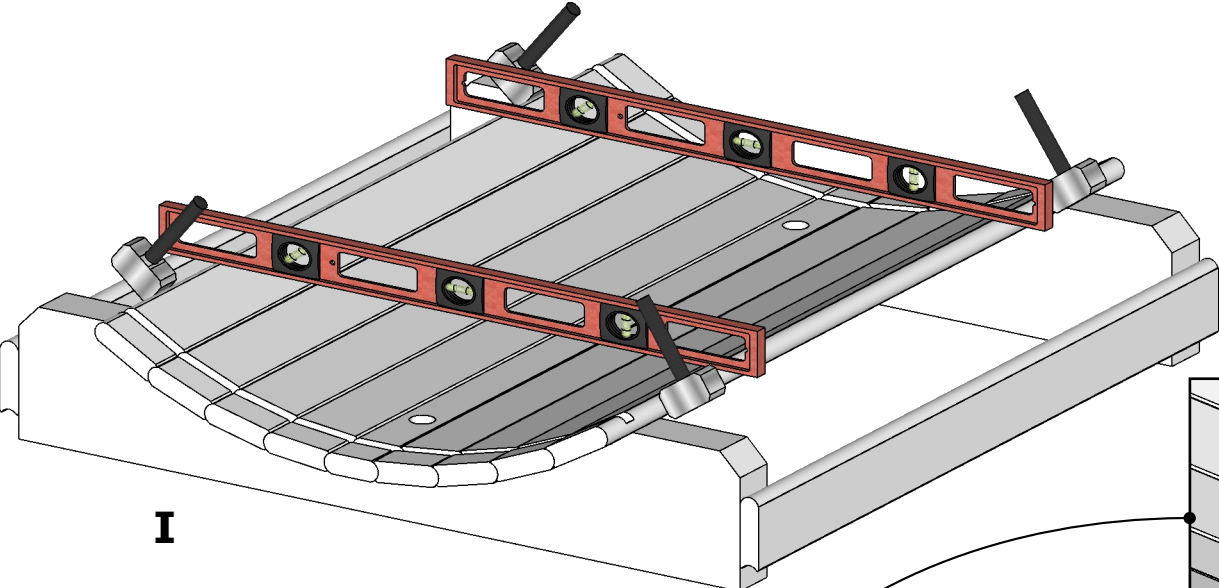


1.

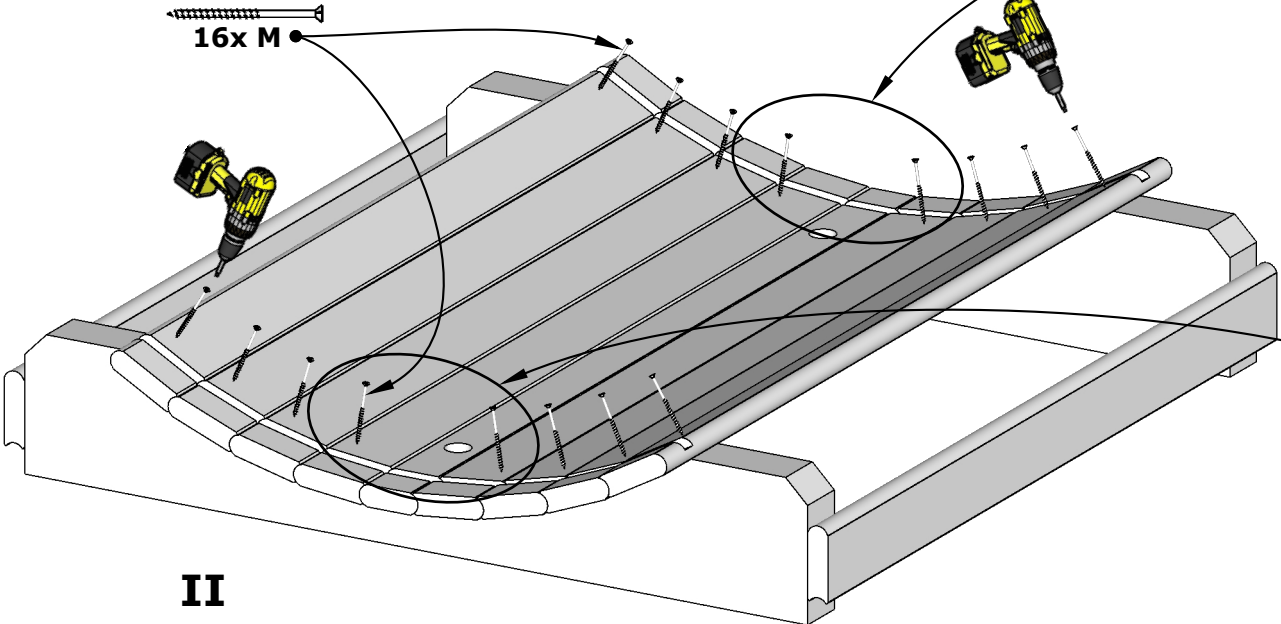
E8 Barrel Sauna 87D" x 81H"



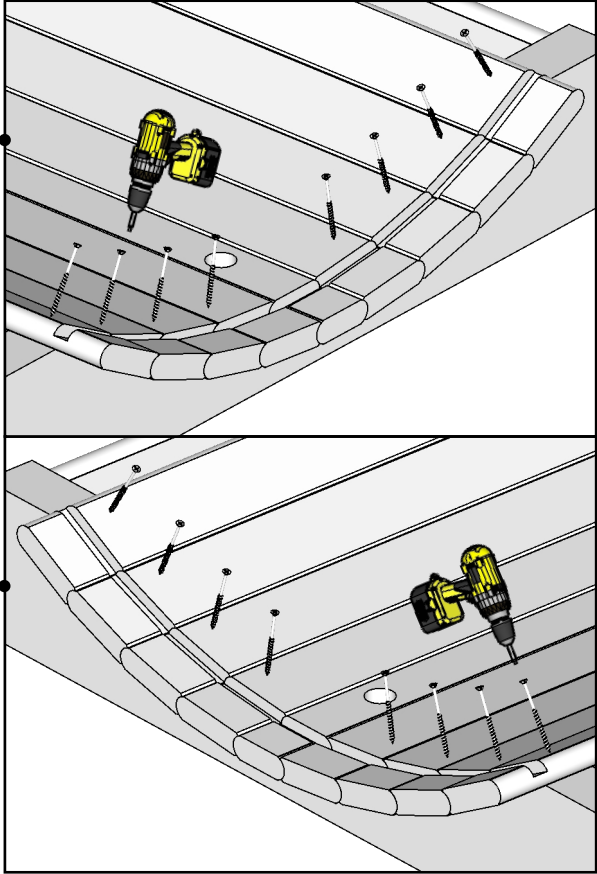
E8 Barrel Sauna 87D" x 81H"



I

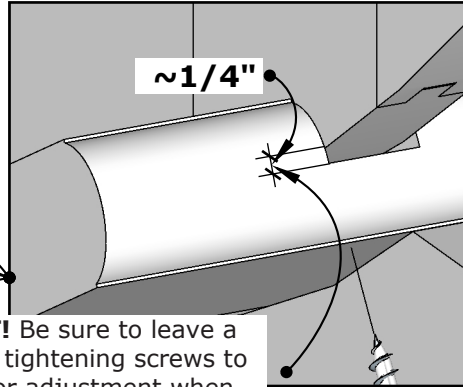
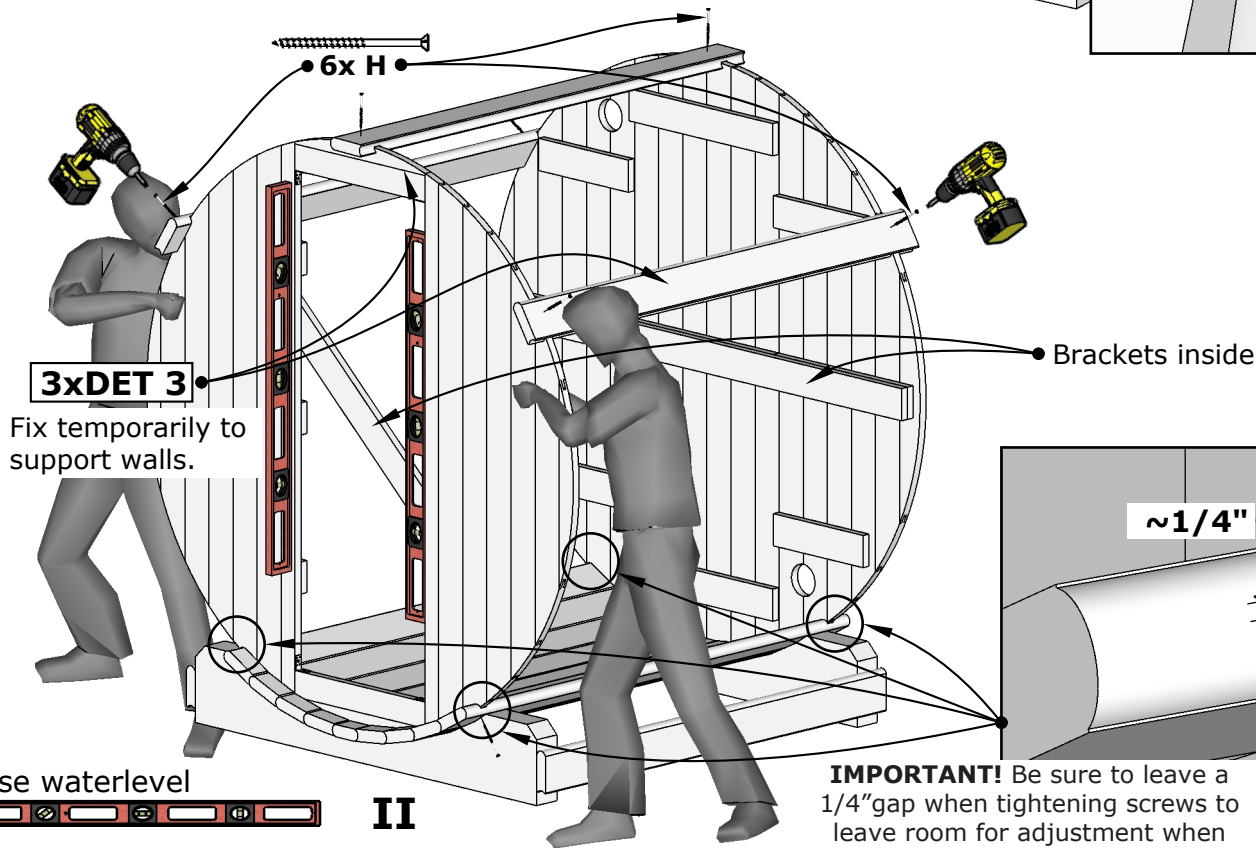
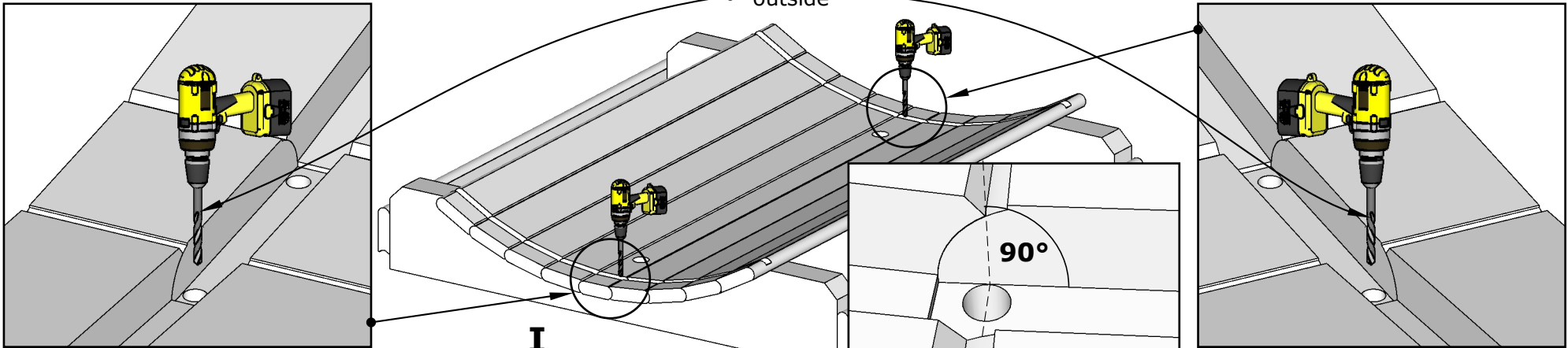


II

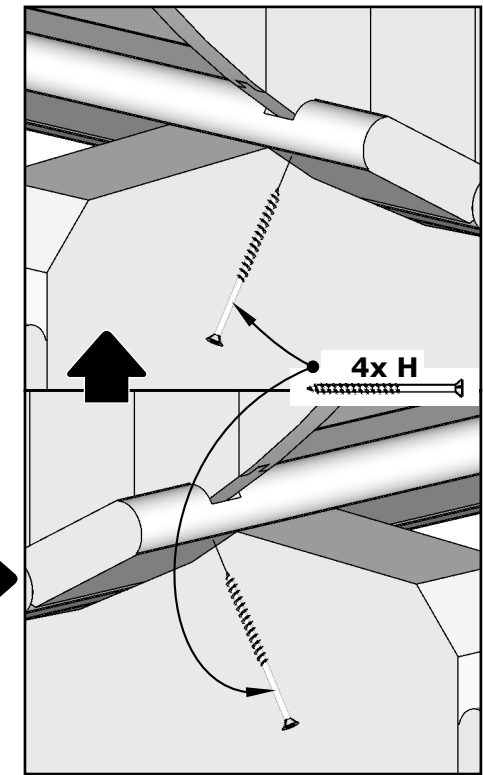


E8 Barrel Sauna 87D" x 81H"

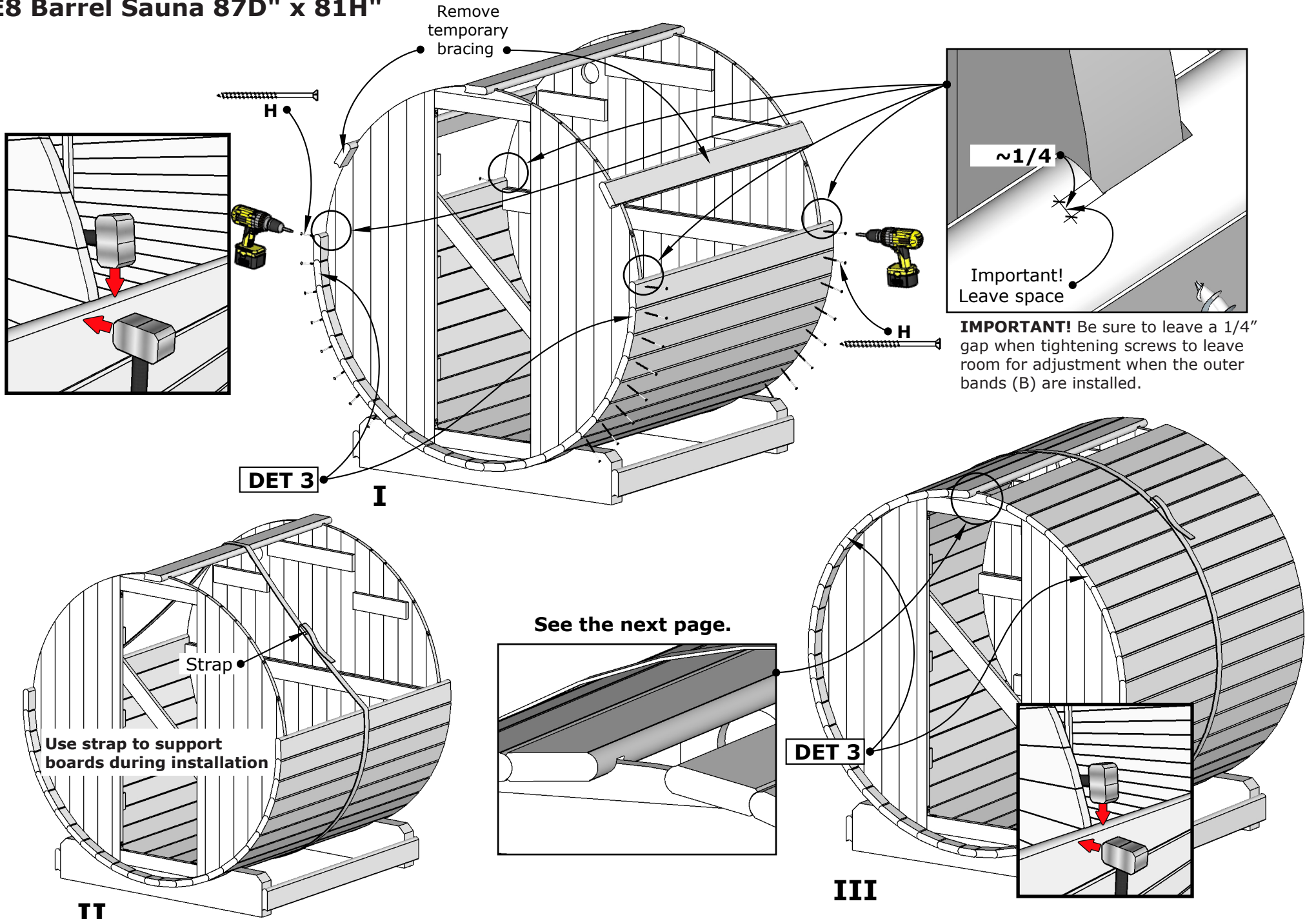
Drill 4 holes $\varnothing 1/2"$
through DET 2
outside



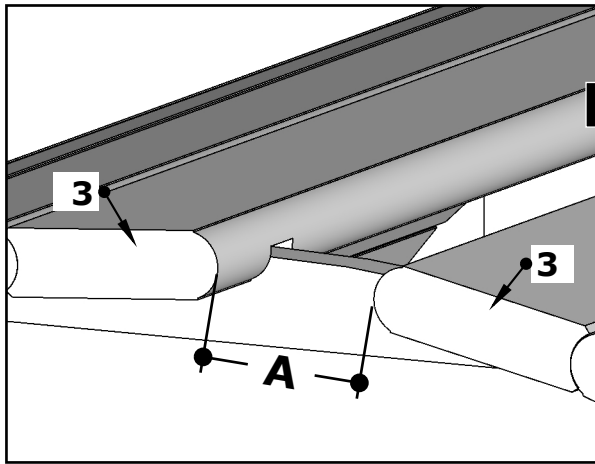
IMPORTANT! Be sure to leave a $1/4"$ gap when tightening screws to leave room for adjustment when the outer bands (B) are installed.



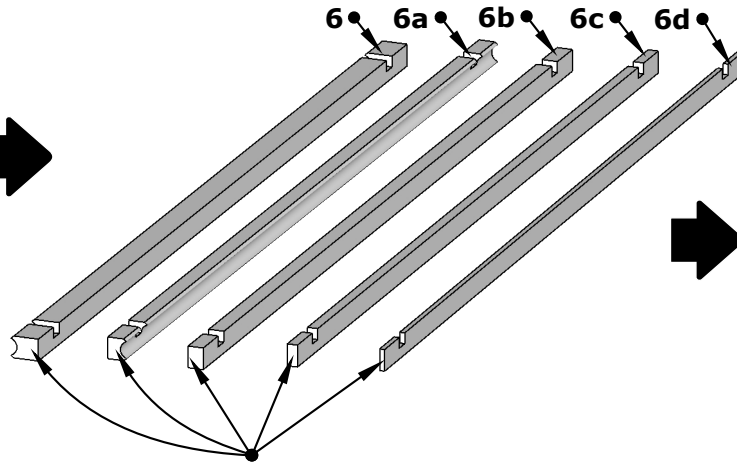
E8 Barrel Sauna 87D" x 81H"



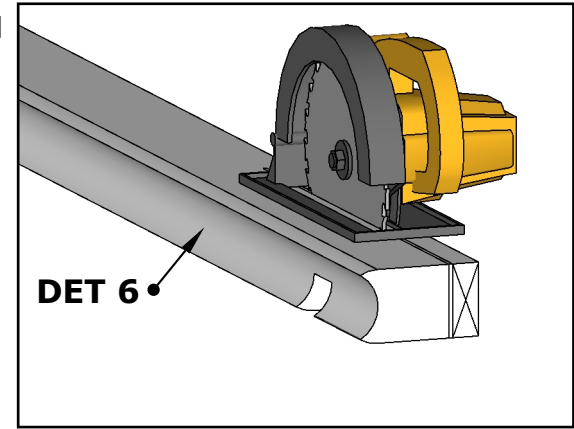
E8 Barrel Sauna 87D" x 81H"



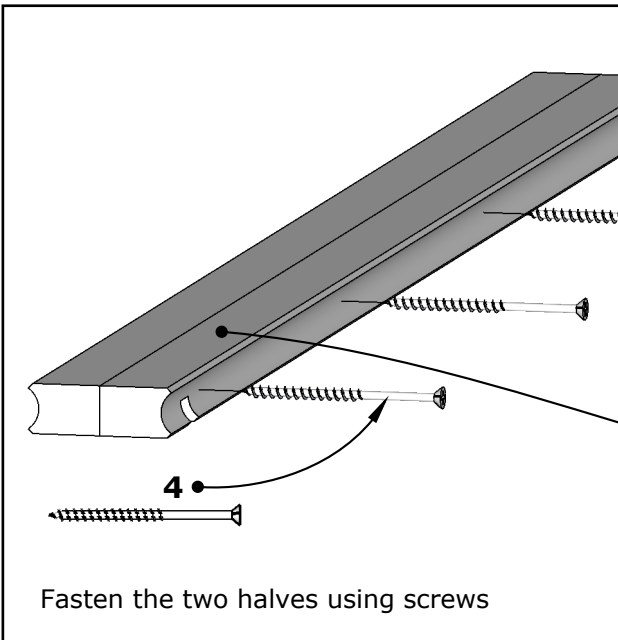
I



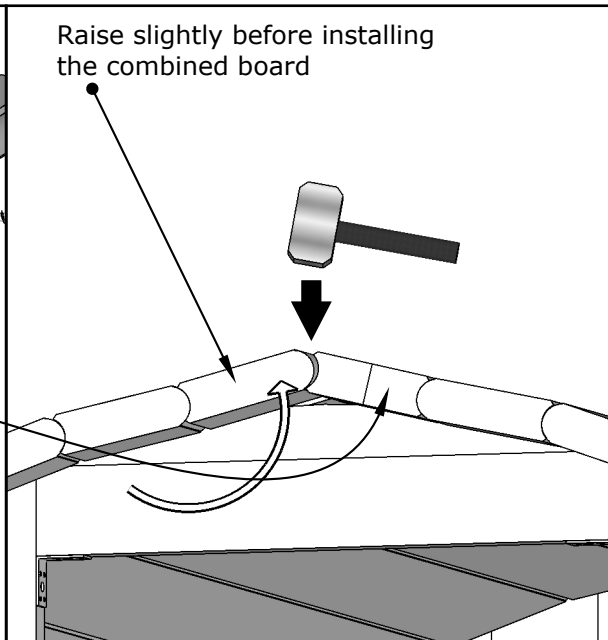
Join two boards together (as shown in diagram II) that will bridge the width of the "A" gap. It is recommended that the combined boards are approximately 1/4" wider than the gap.



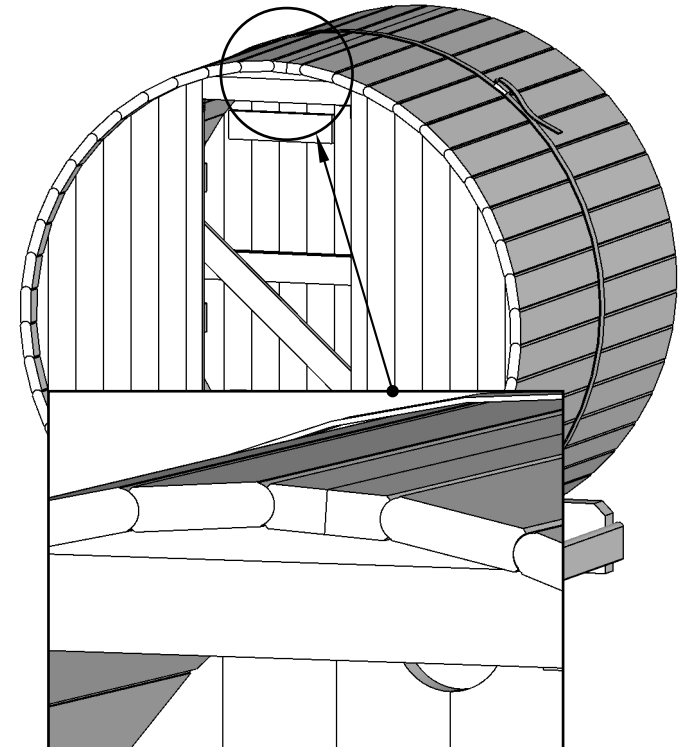
If needed, trim the flat edge of the board to create the desired width.



Fasten the two halves using screws

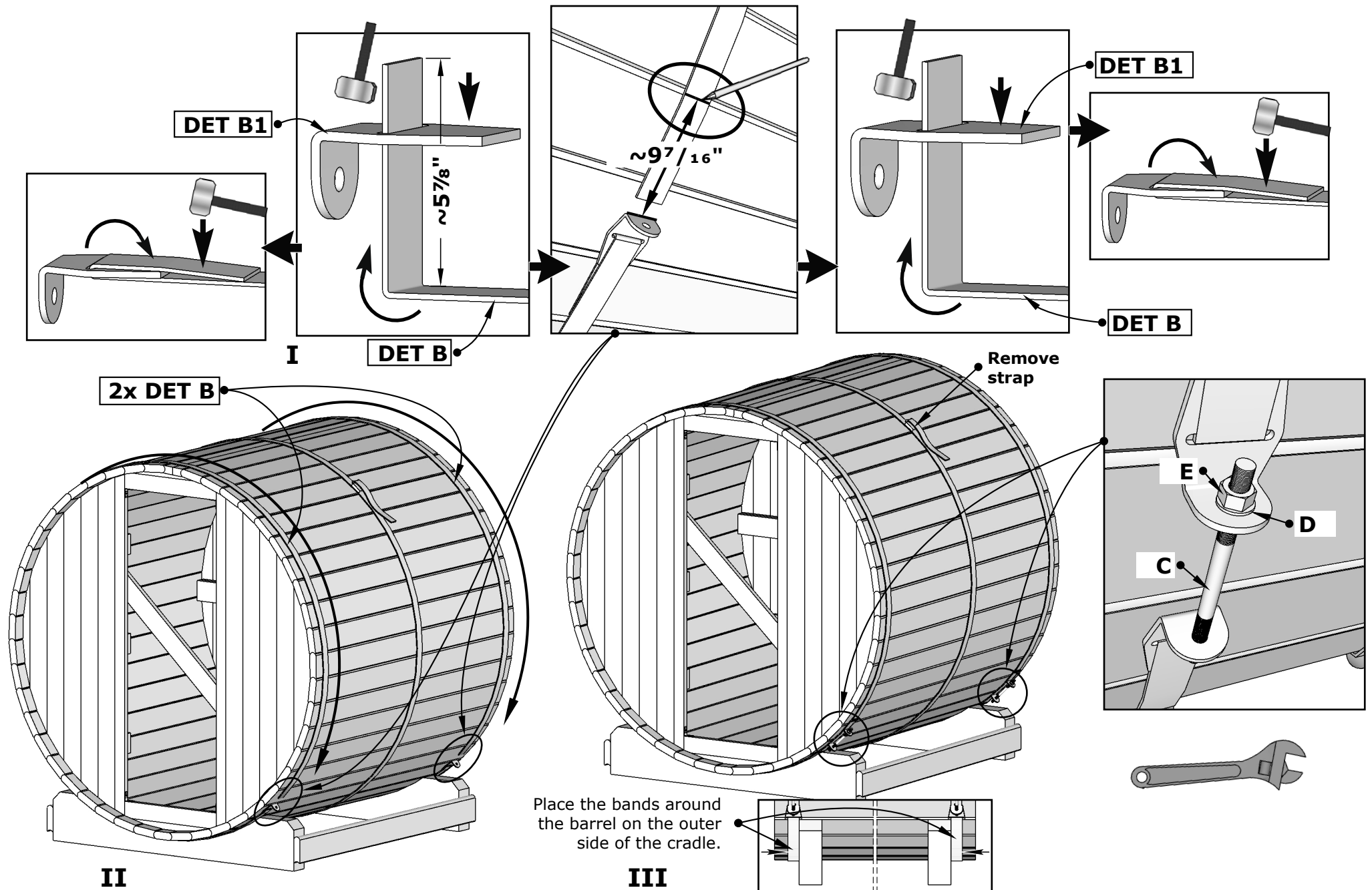


Raise slightly before installing the combined board



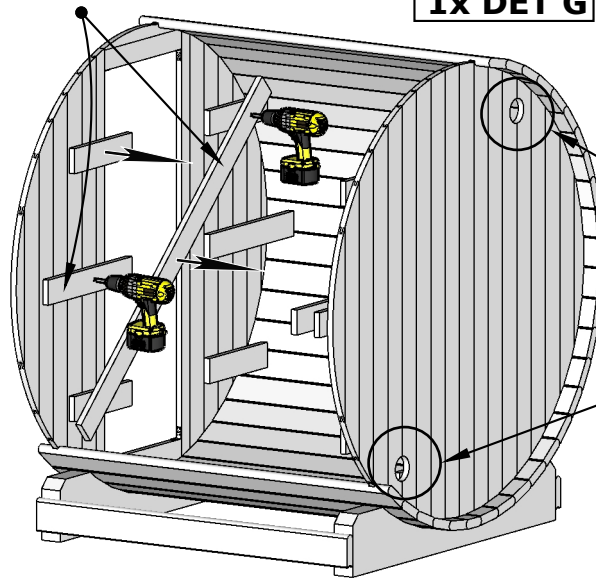
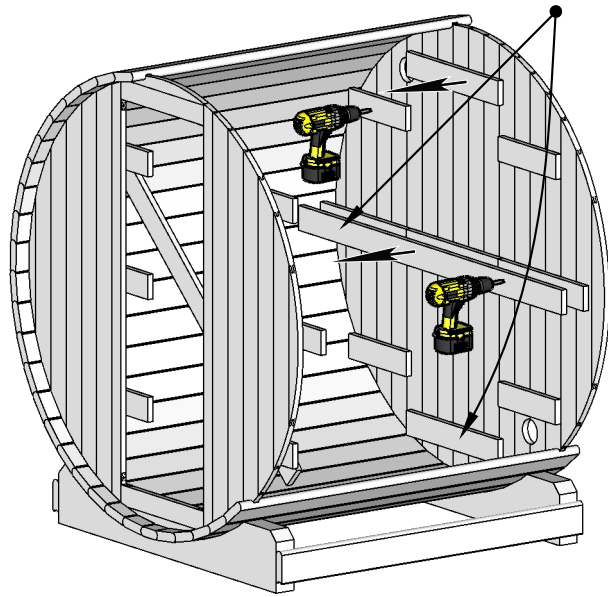
III

E8 Barrel Sauna 87D" x 81H"

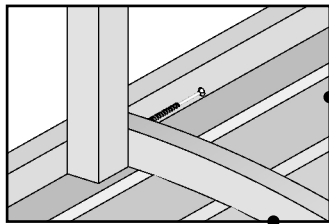
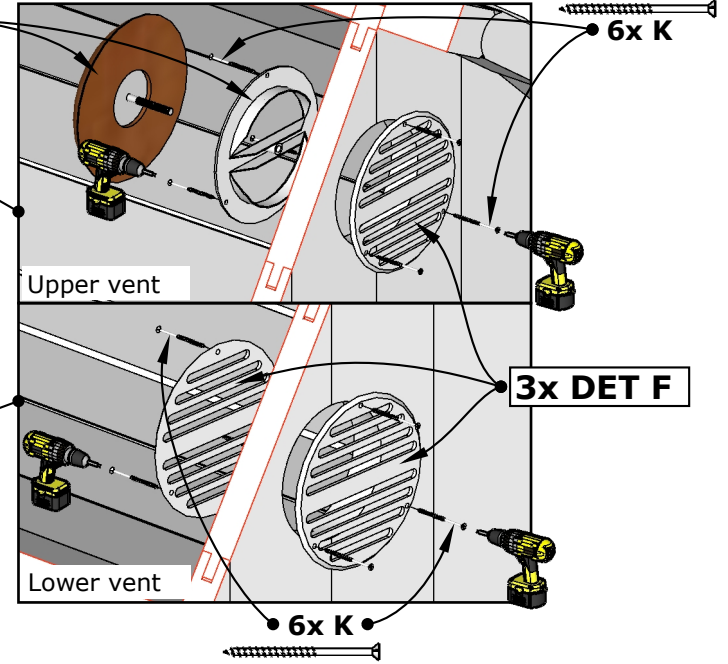


E8 Barrel Sauna 87D" x 81H"

Remove all temporary braces



1x DET G

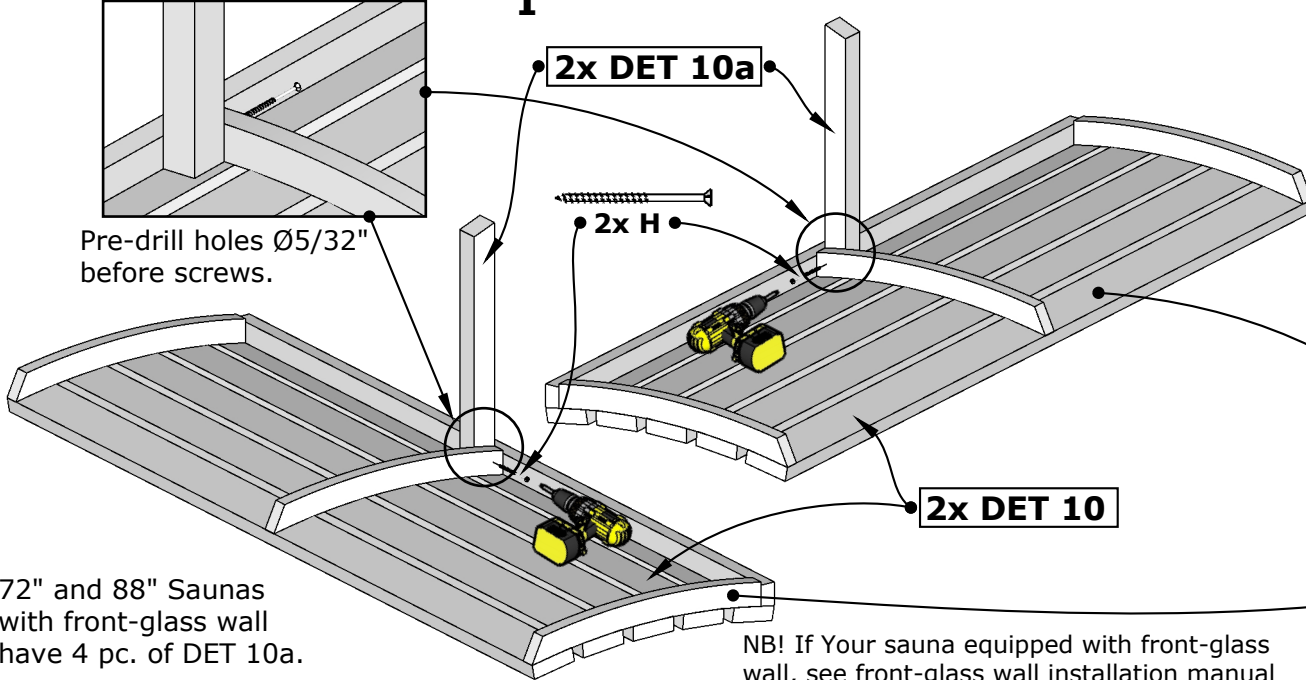


Pre-drill holes $\text{Ø}5/32''$ before screws.

I

2x DET 10a

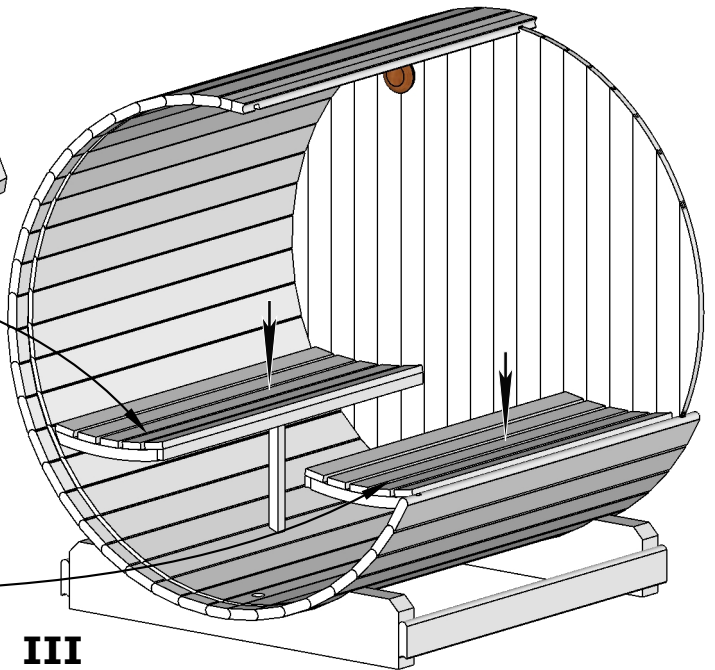
2x H



2x DET 10

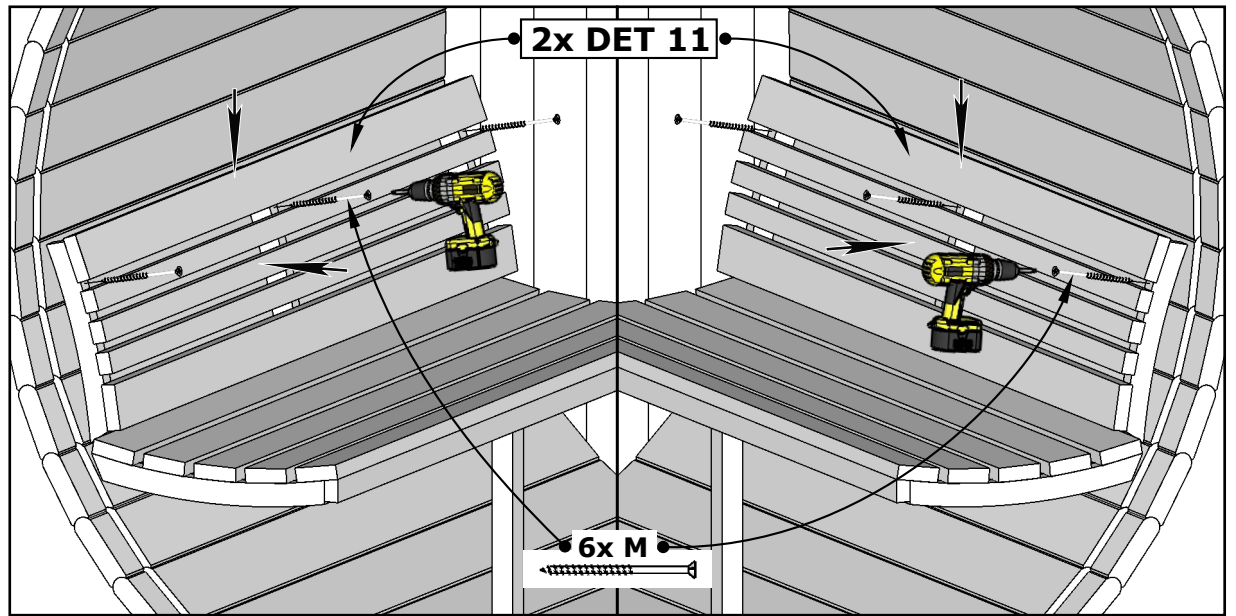
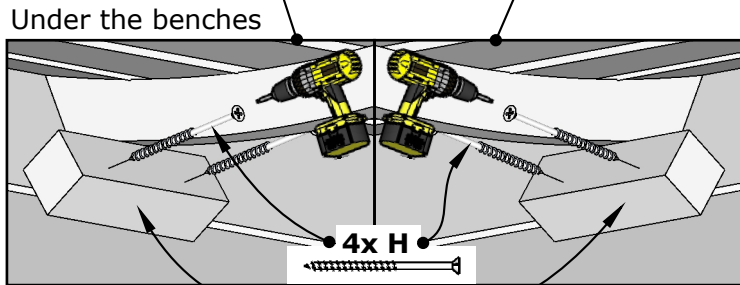
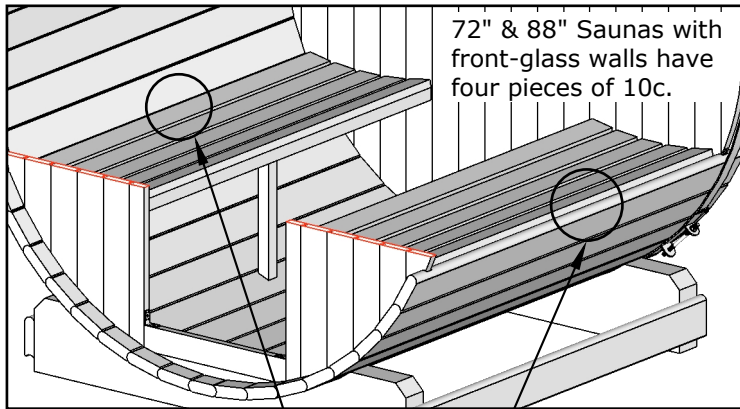
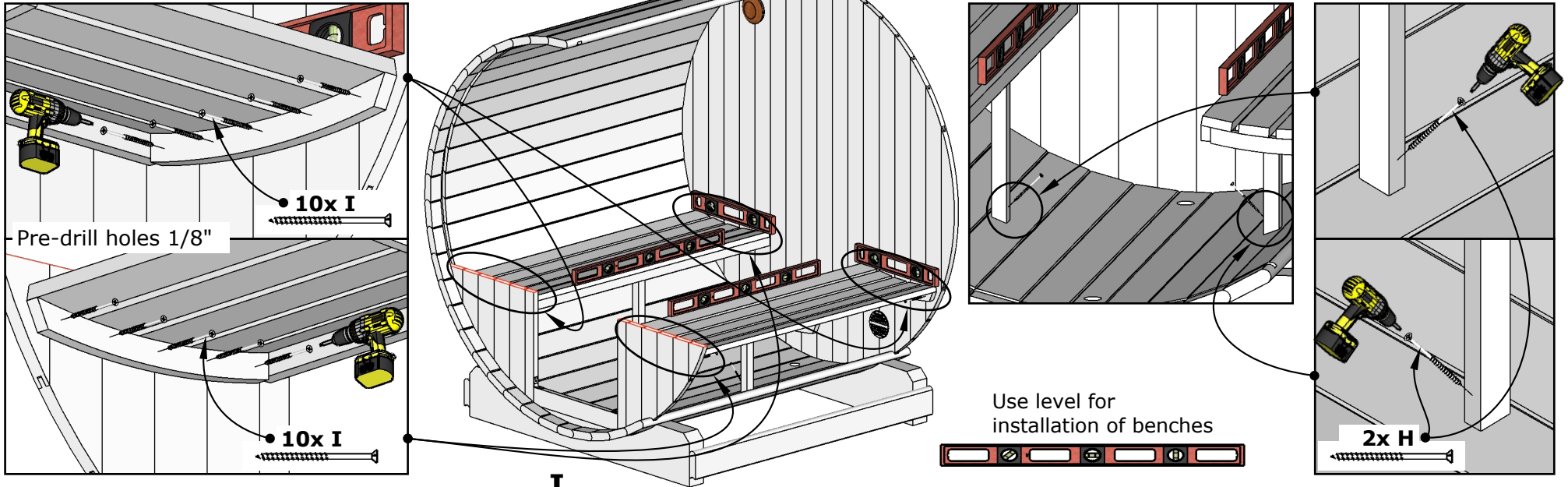
72" and 88" Saunas with front-glass wall have 4 pc. of DET 10a.

NB! If Your sauna equipped with front-glass wall, see front-glass wall installation manual for proper benches installation.



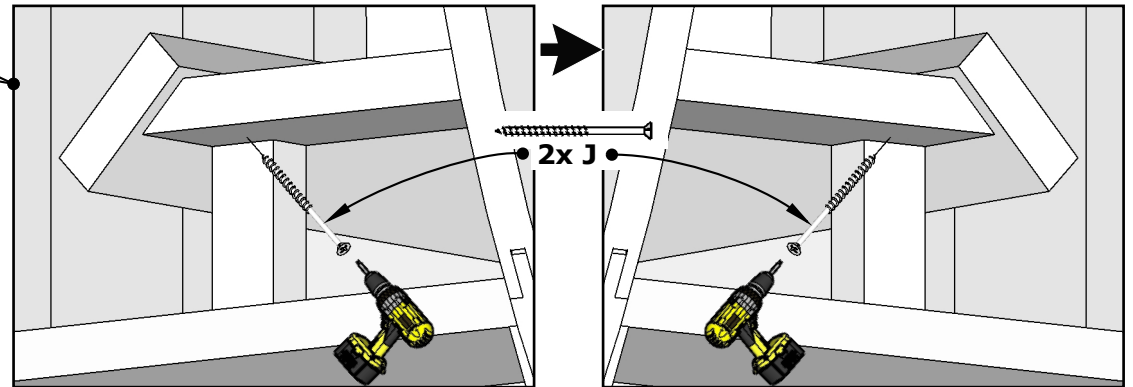
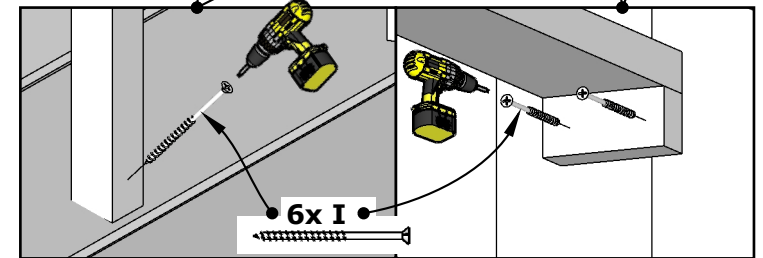
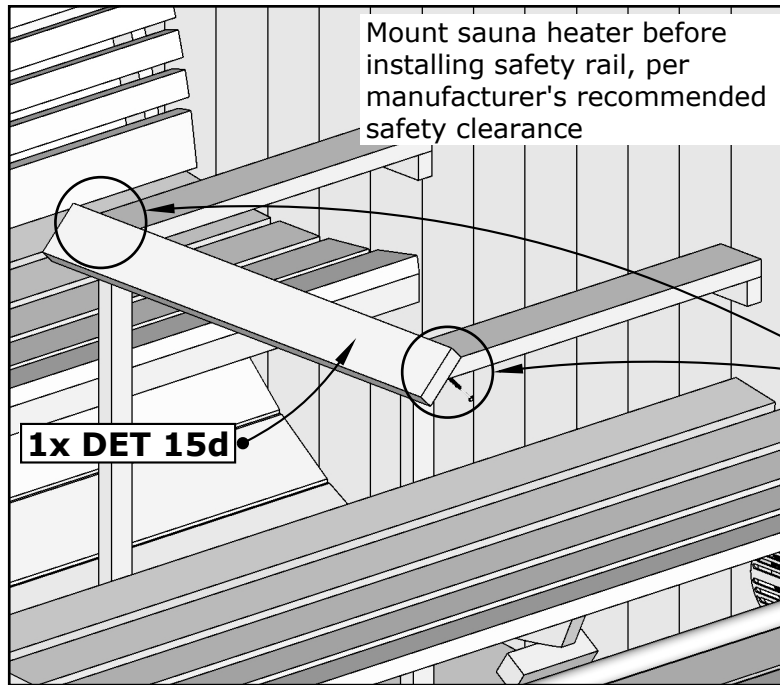
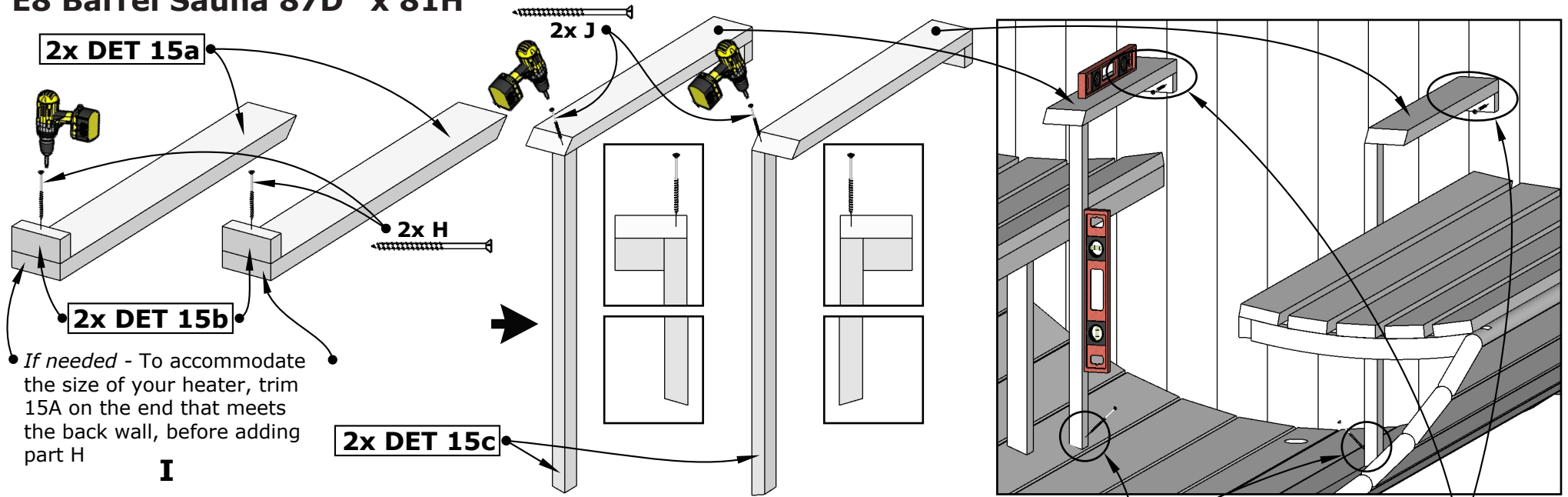
III

E8 Barrel Sauna 87D" x 81H"

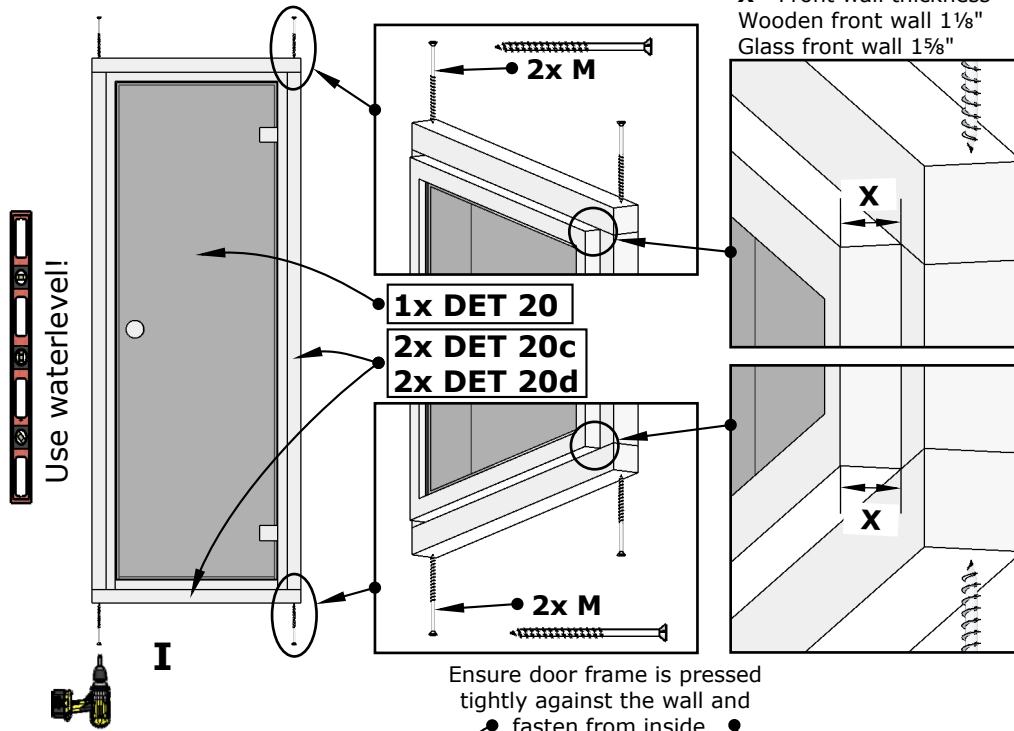


III

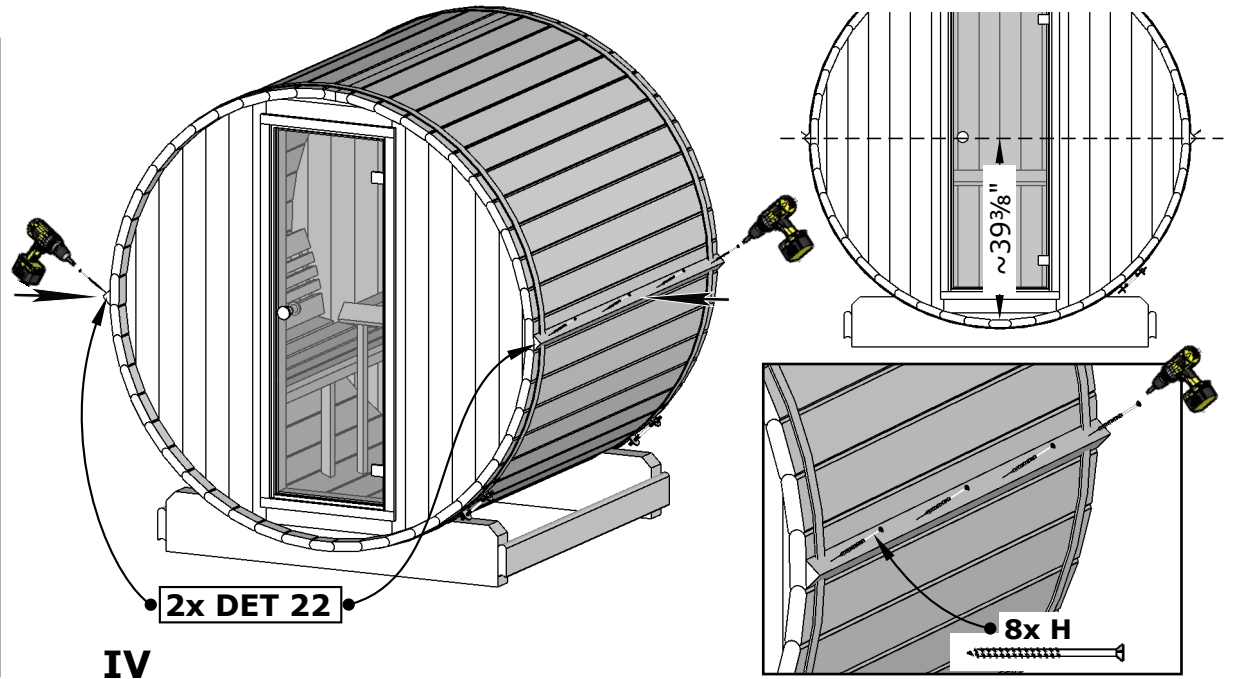
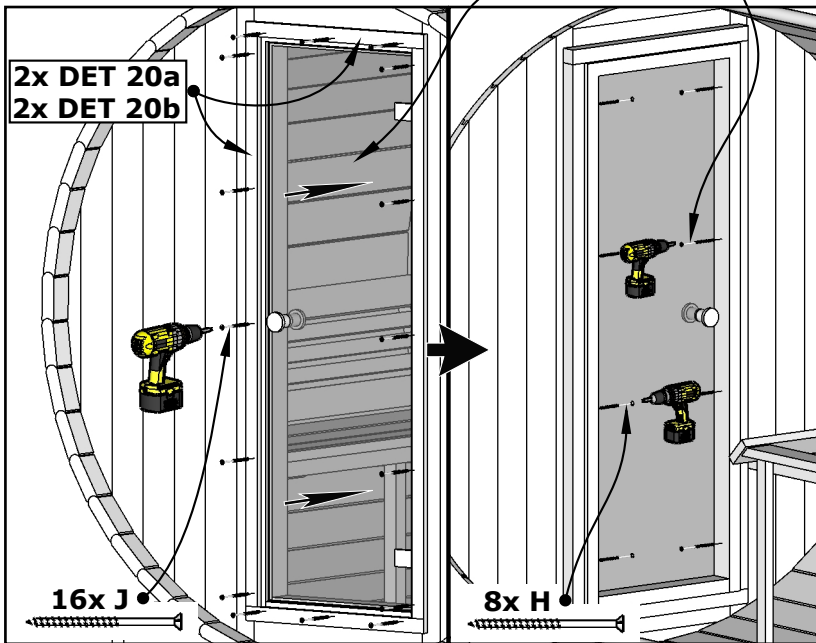
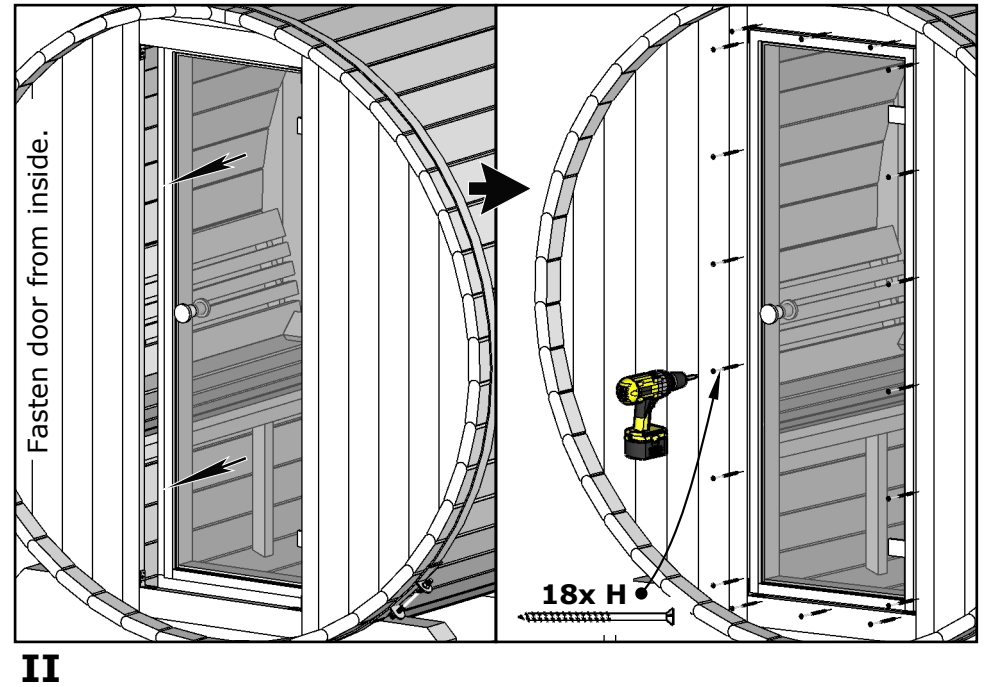
E8 Barrel Sauna 87D" x 81H"



E8 Barrel Sauna 87D" x 81H"

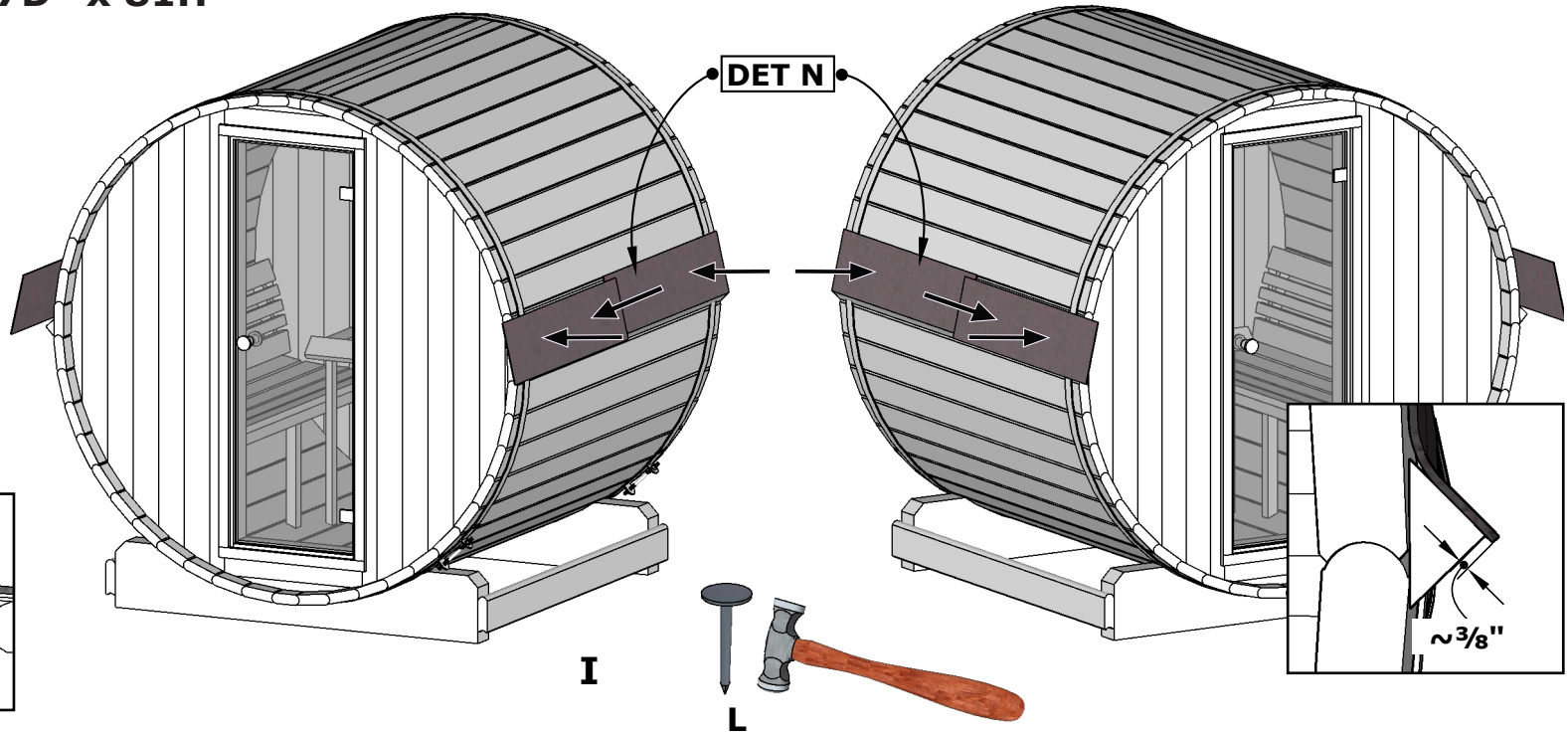
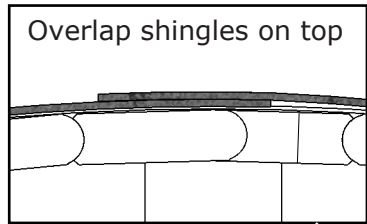


Ensure door frame is pressed tightly against the wall and fasten from inside

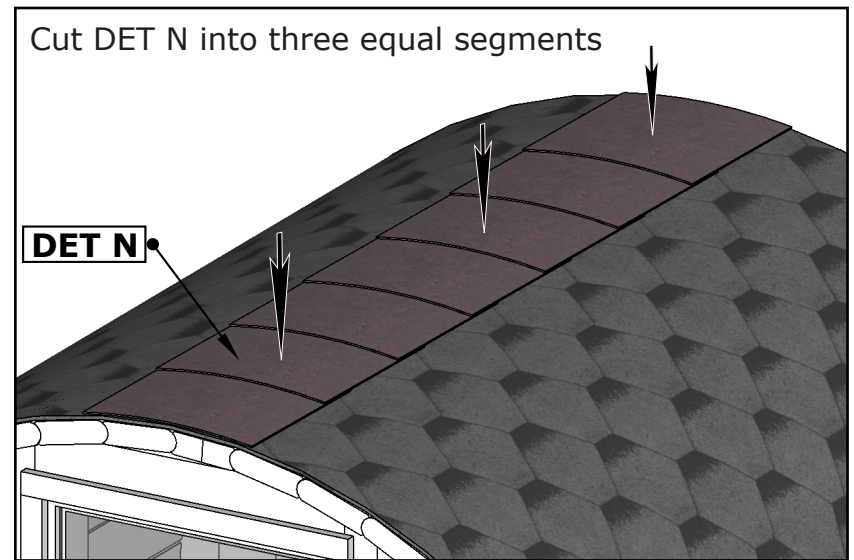
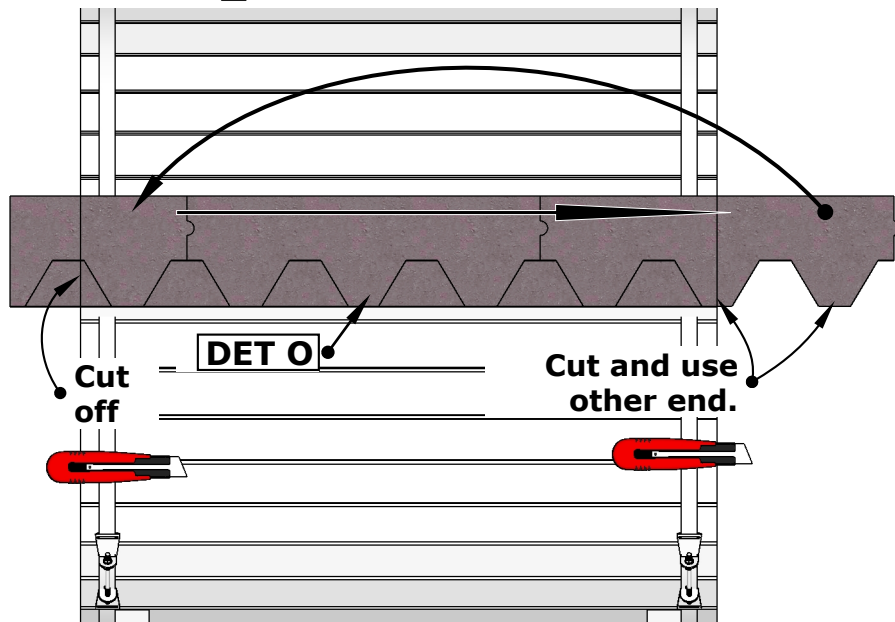


E8 Barrel Sauna 87D" x 81H"

See the installation manual inside the shingles package



Check also roof shingles installation manual inside package.



E8 Barrel Sauna 87D" x 81H"

