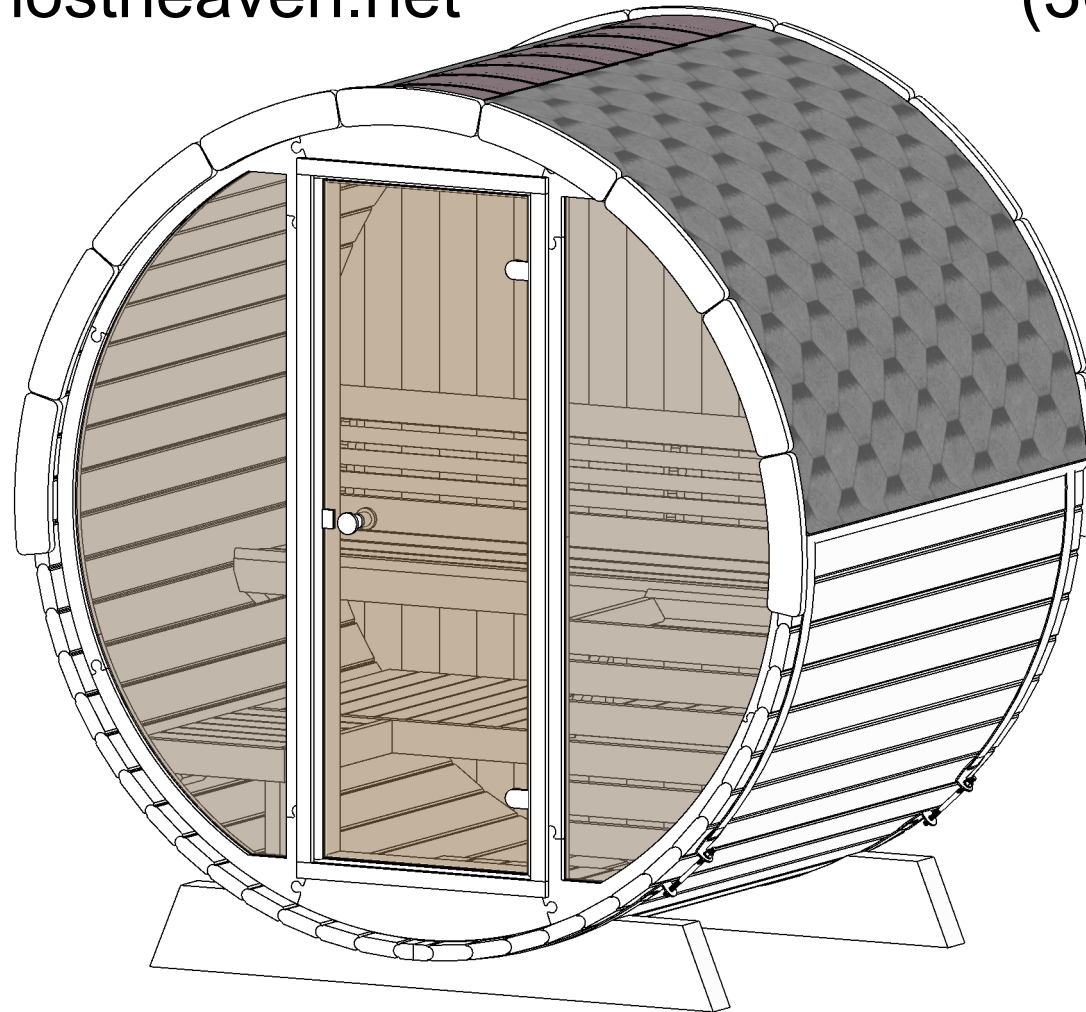




Ergo-Series EE6G Barrel Sauna
Full Glass Front 63D" x 90H"

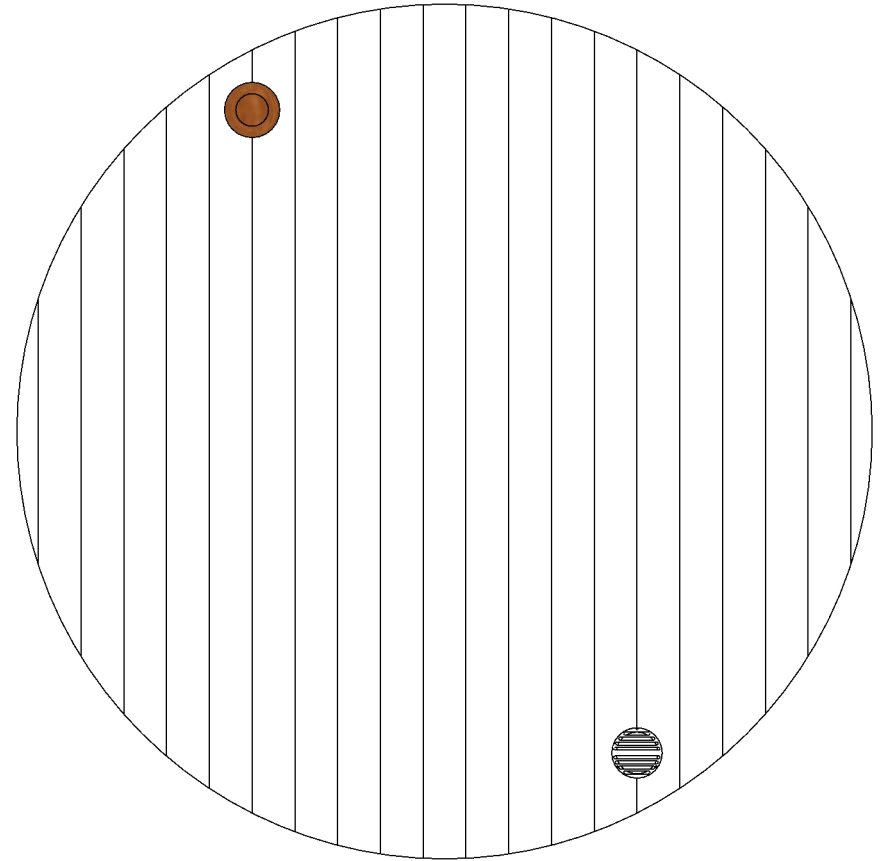
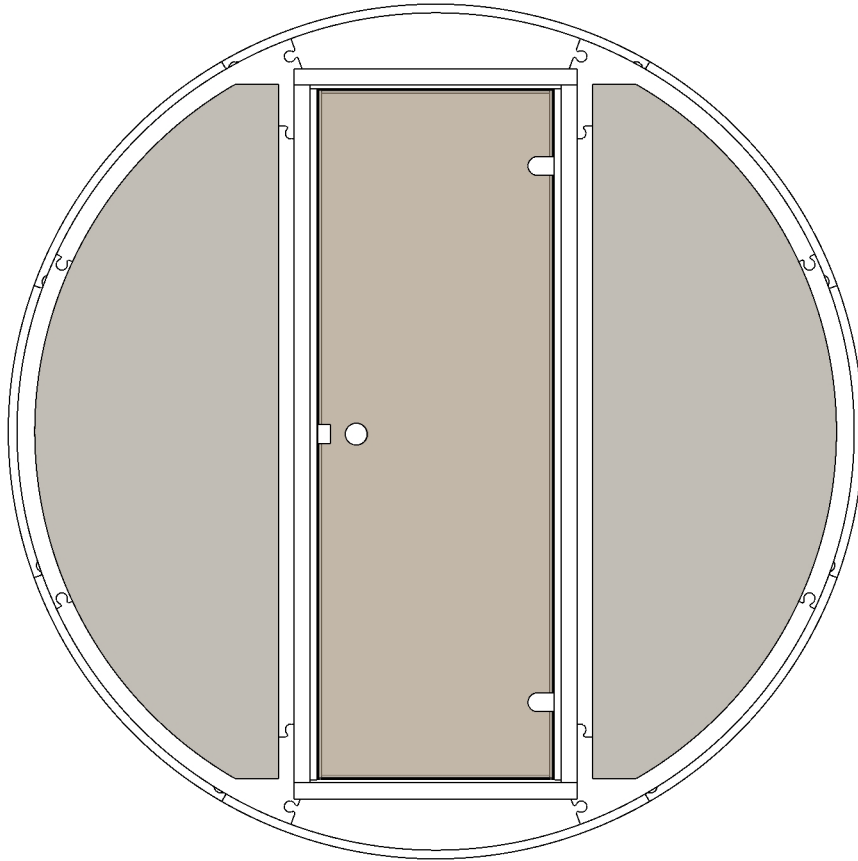
Almost Heaven Group LLC - <https://www.almostheaven.net>
sales@almostheaven.net (304) 645-2310



Note: Please read manual before construction

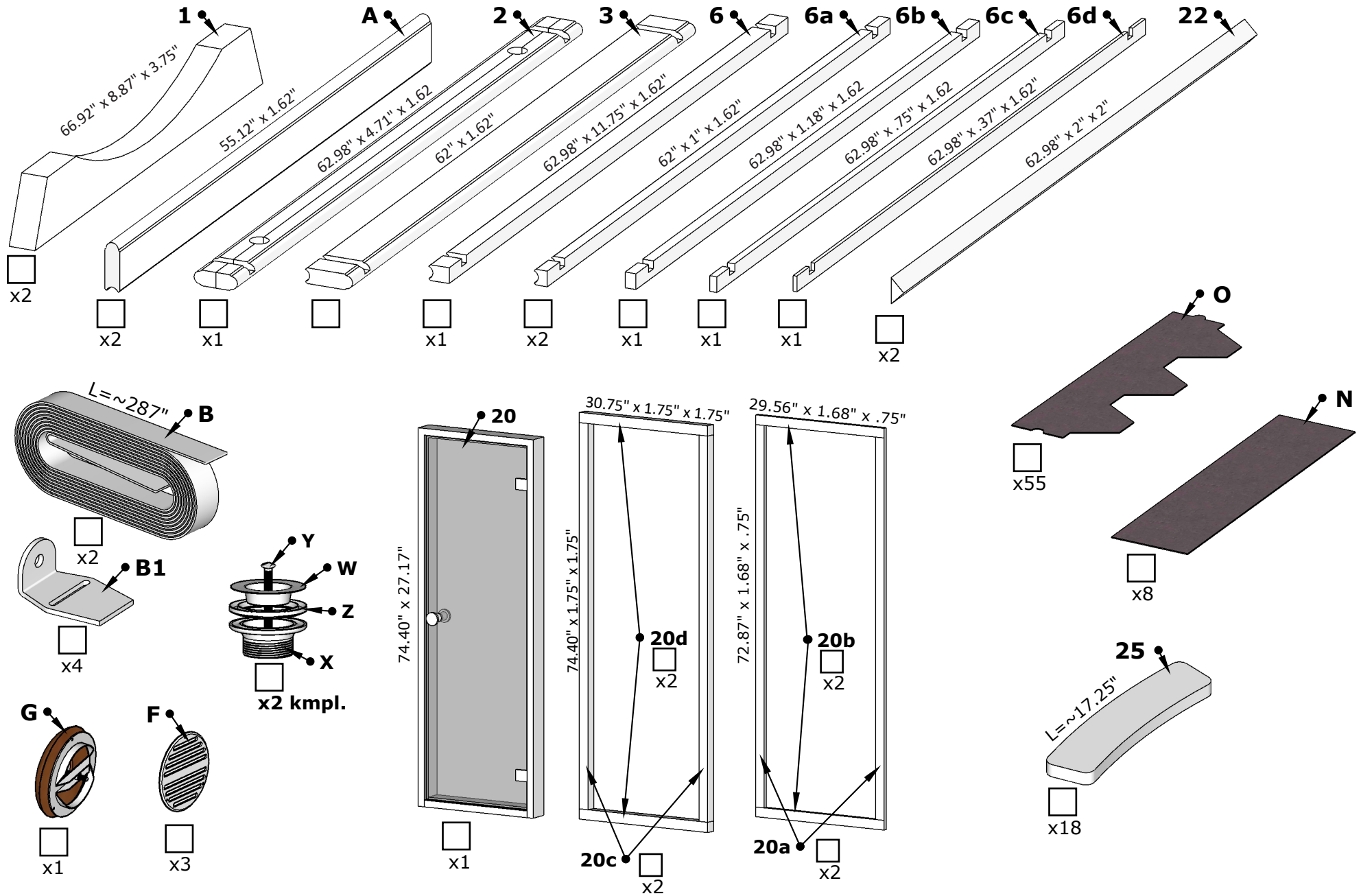
Rev: 1.0_9/2023

Front & Back Walls



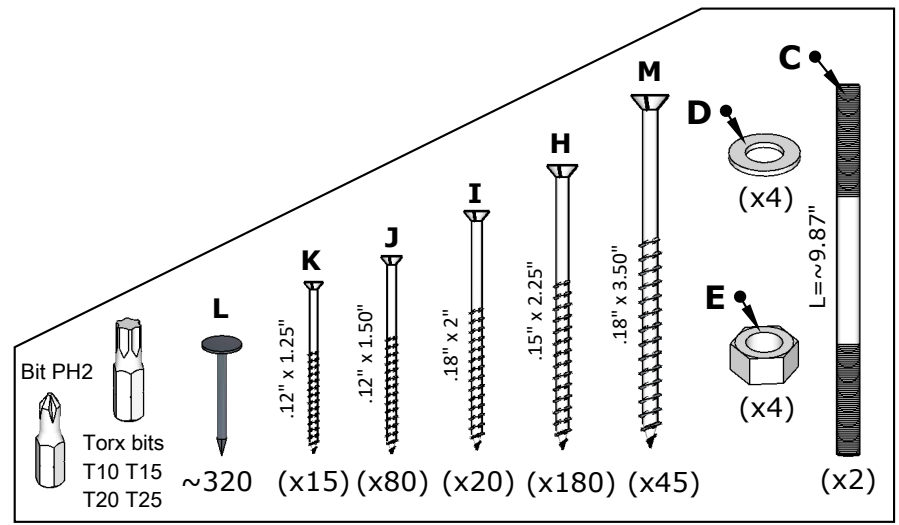
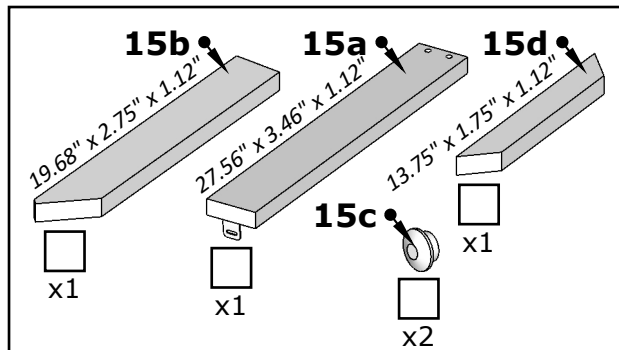
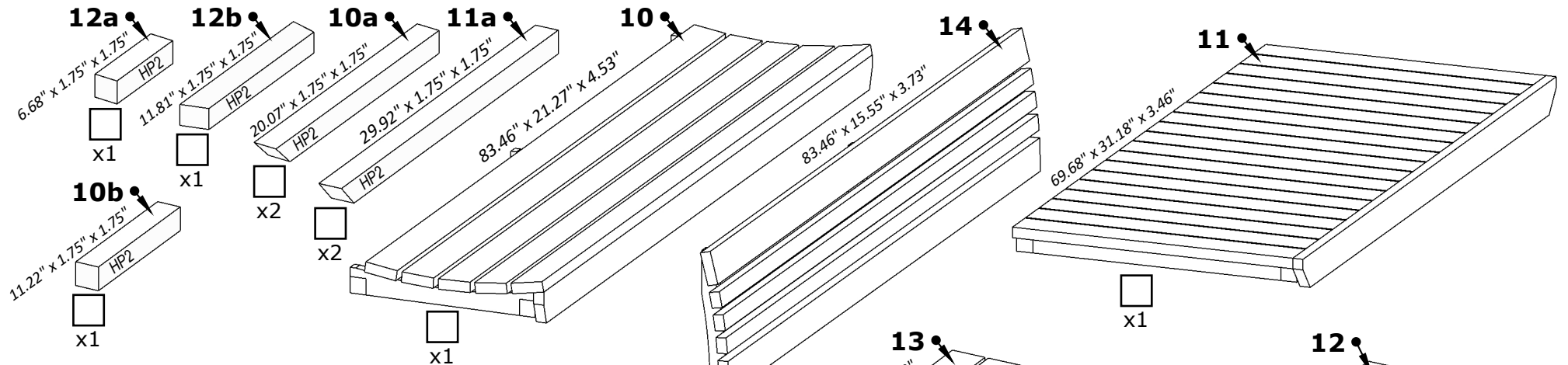
EE6G Barrel Sauna 63D" x 90H"

Details list 1.

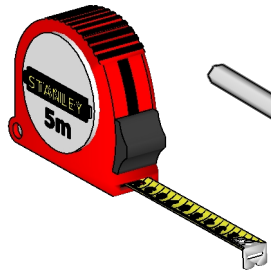


EE6G Barrel Sauna 63D" x 90H"

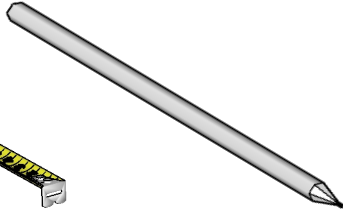
Details list 2.



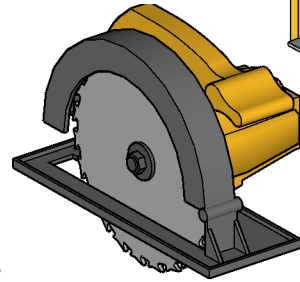
Tools needed



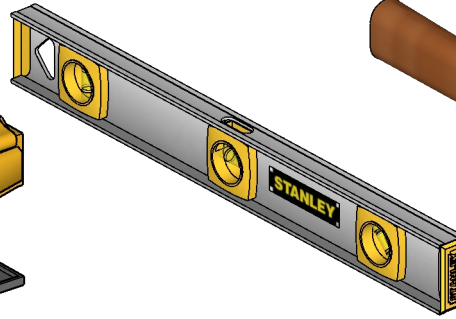
Measuring tape



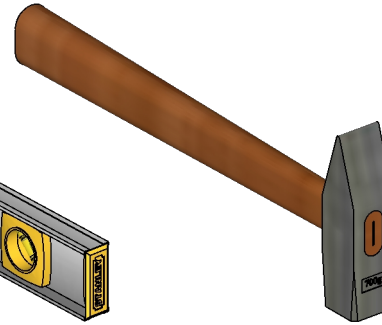
Marker pen



Circular saw



Water level



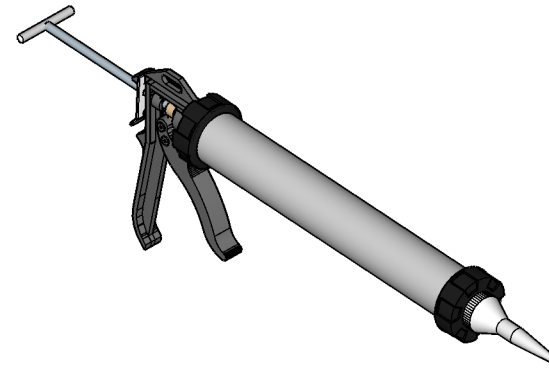
Hammer



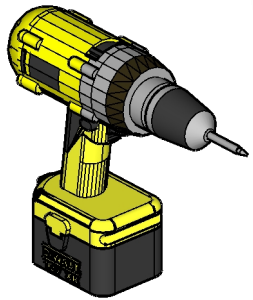
Extra hands



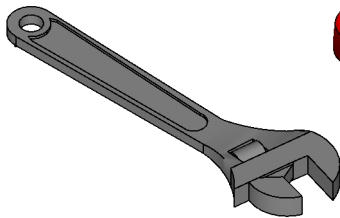
Ratchet strap



Silicone gun
(Only glass-wall models)



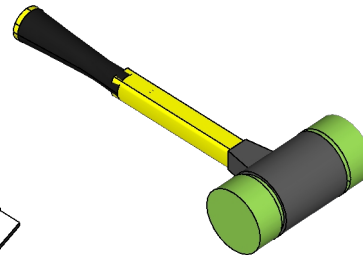
Drill



Crescent wrench

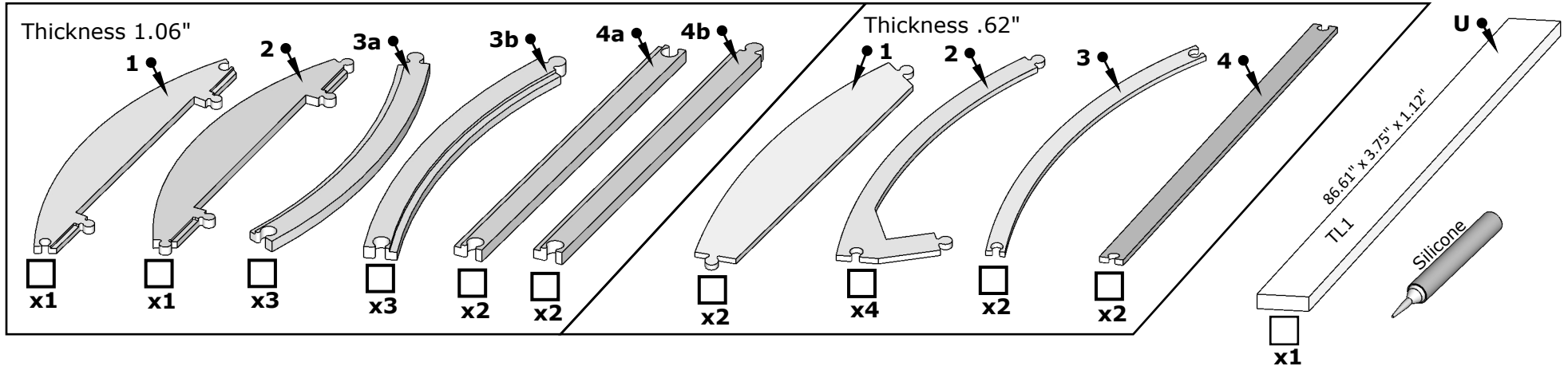


Utility knife

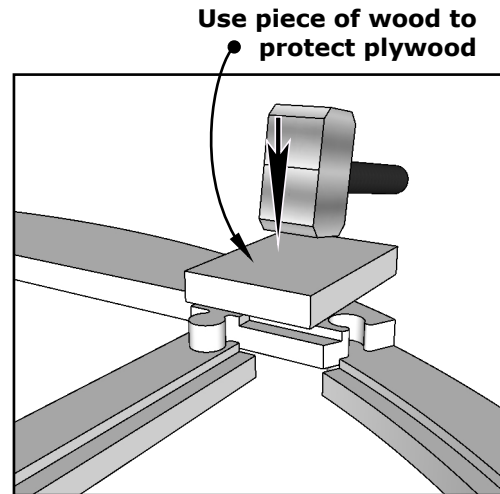
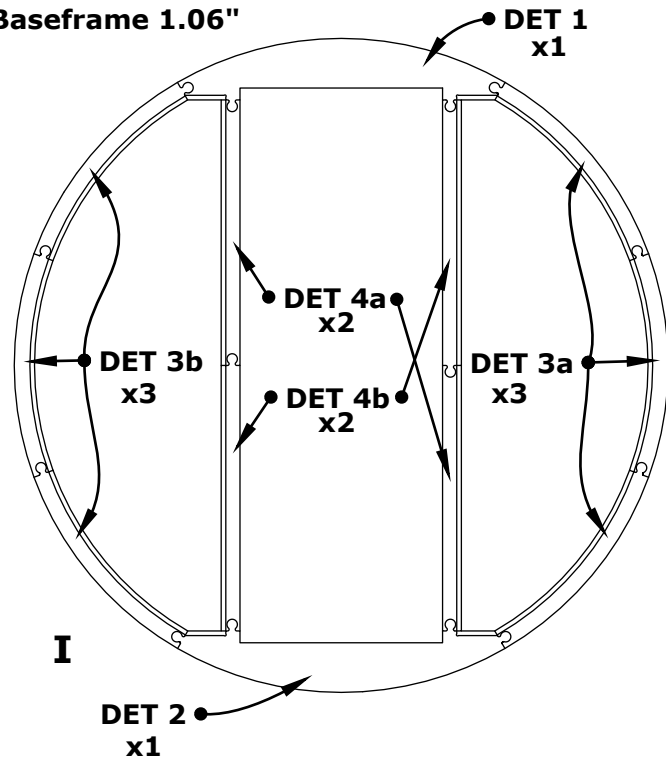


Rubber mallet

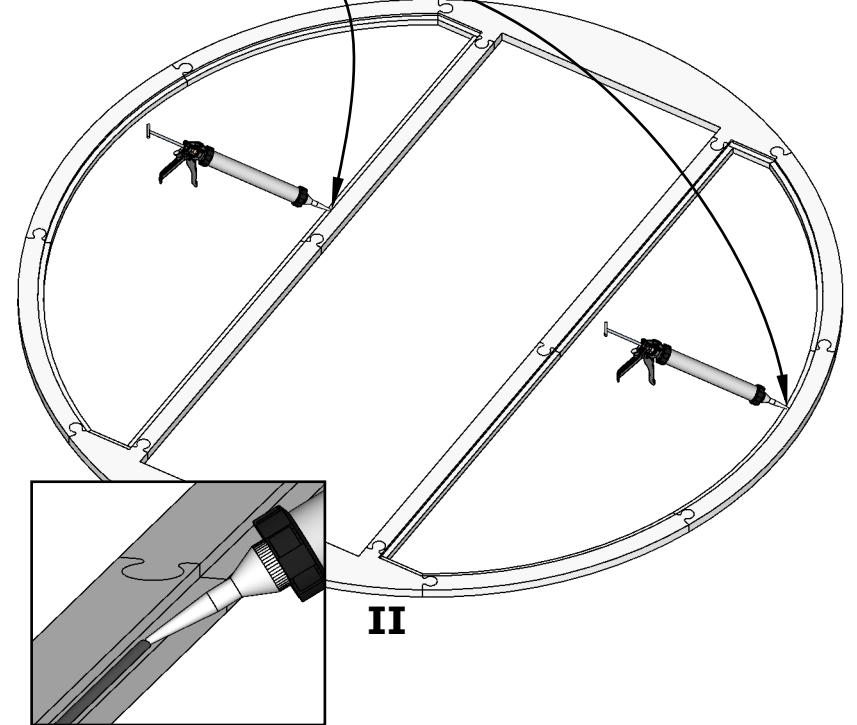
Front glass wall installation



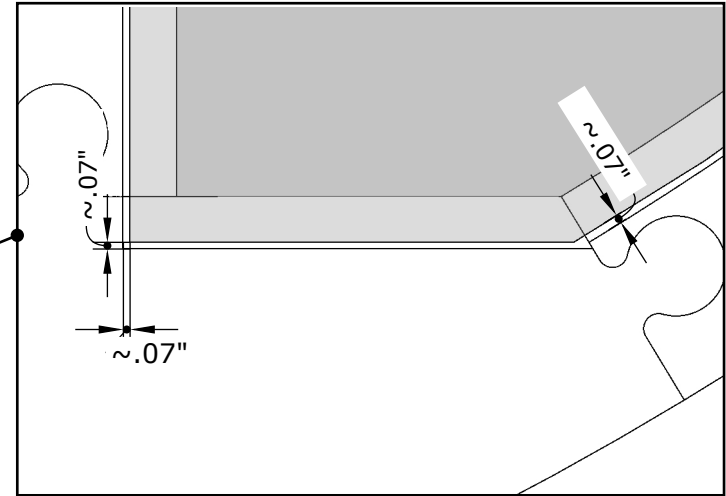
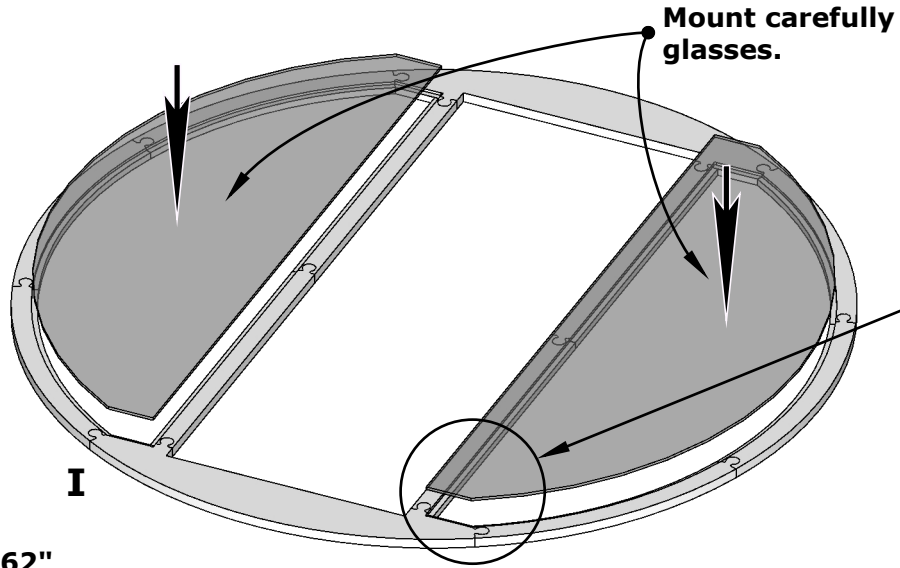
Baseframe 1.06"



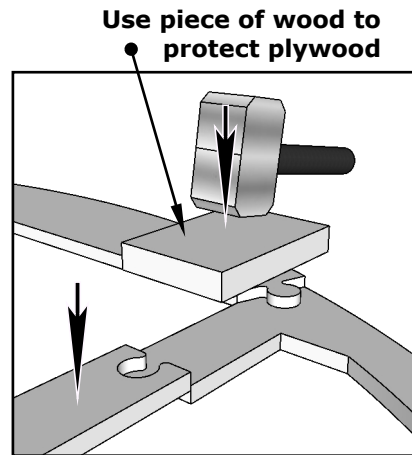
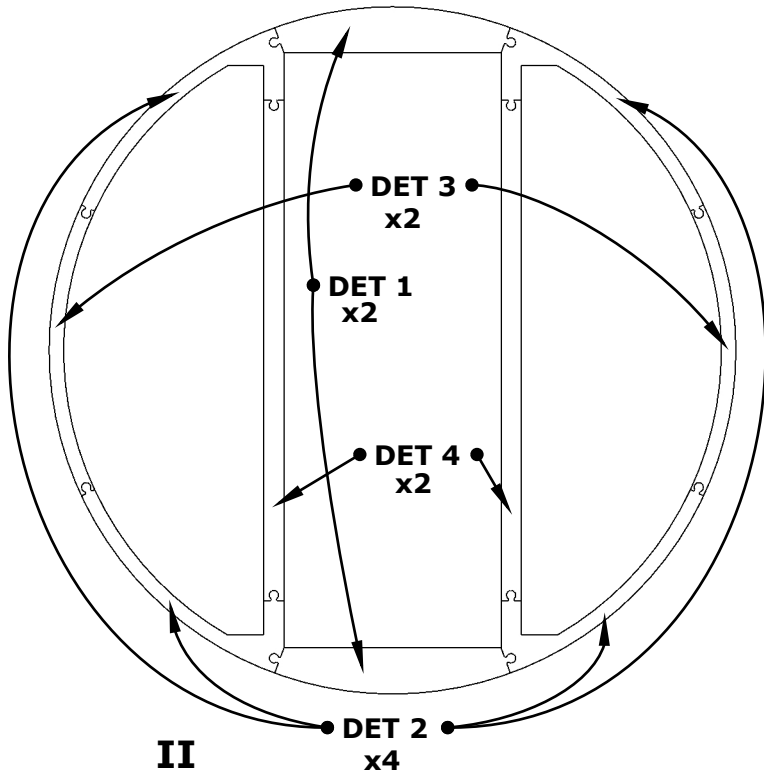
Apply waterproof silicone to the groove



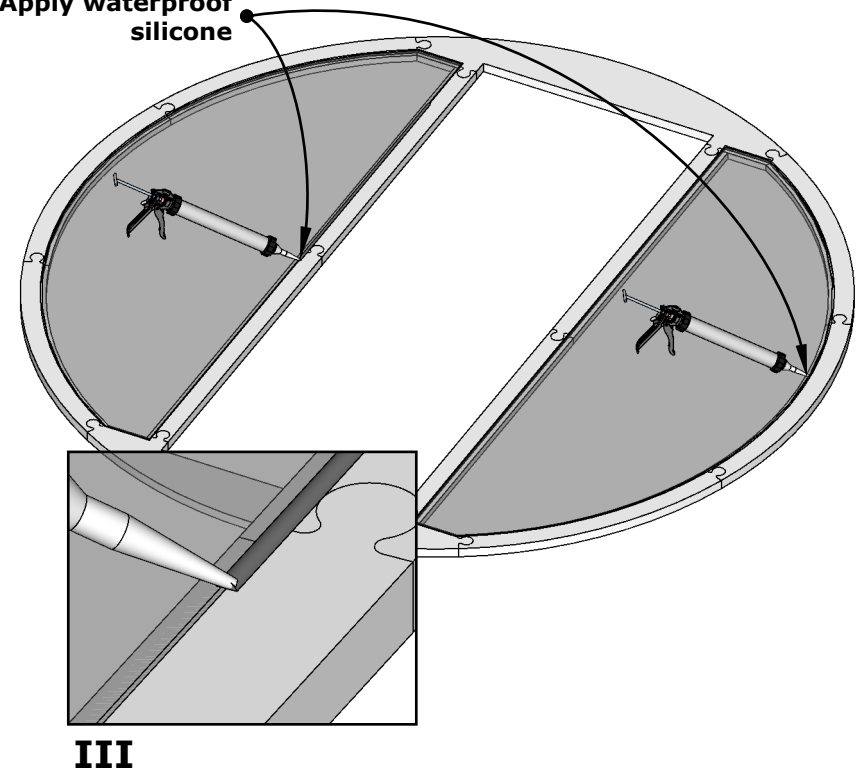
Front glass wall installation



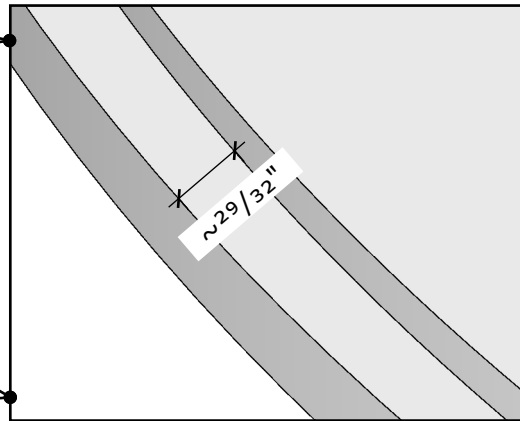
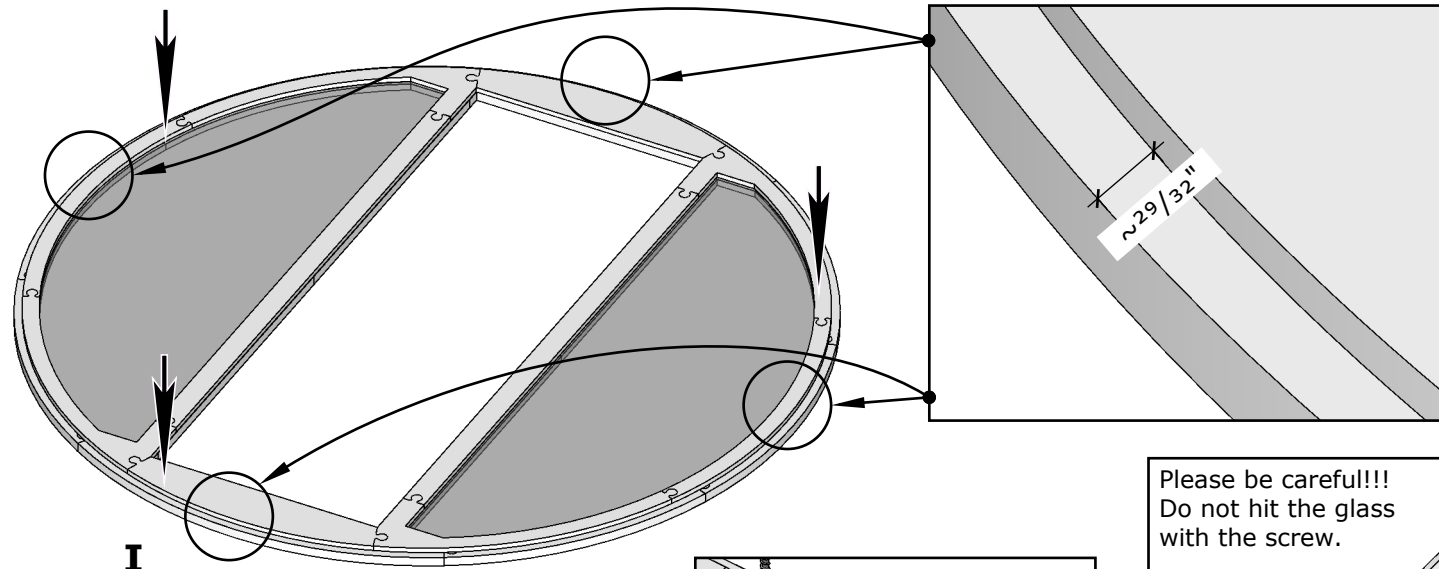
Coverframe .62"



Apply waterproof silicone

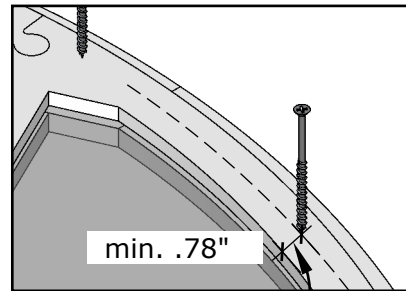
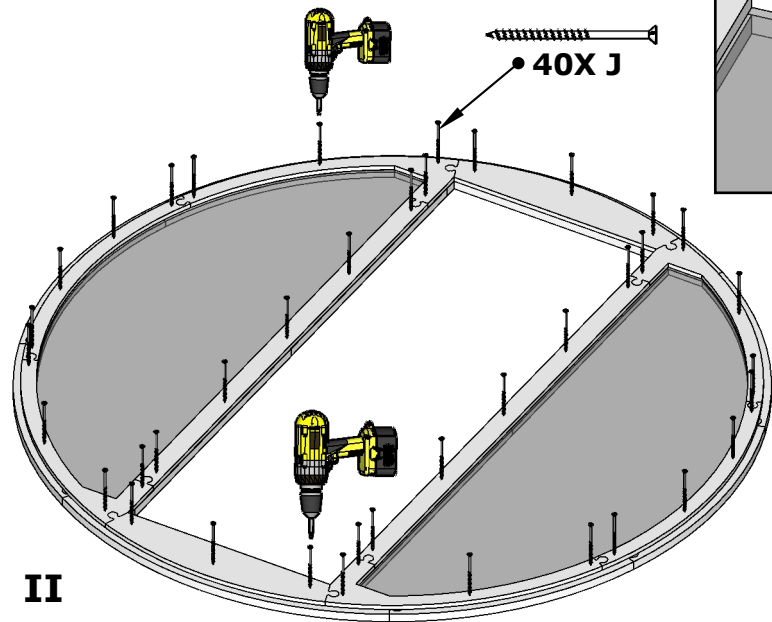


Front glass wall installation



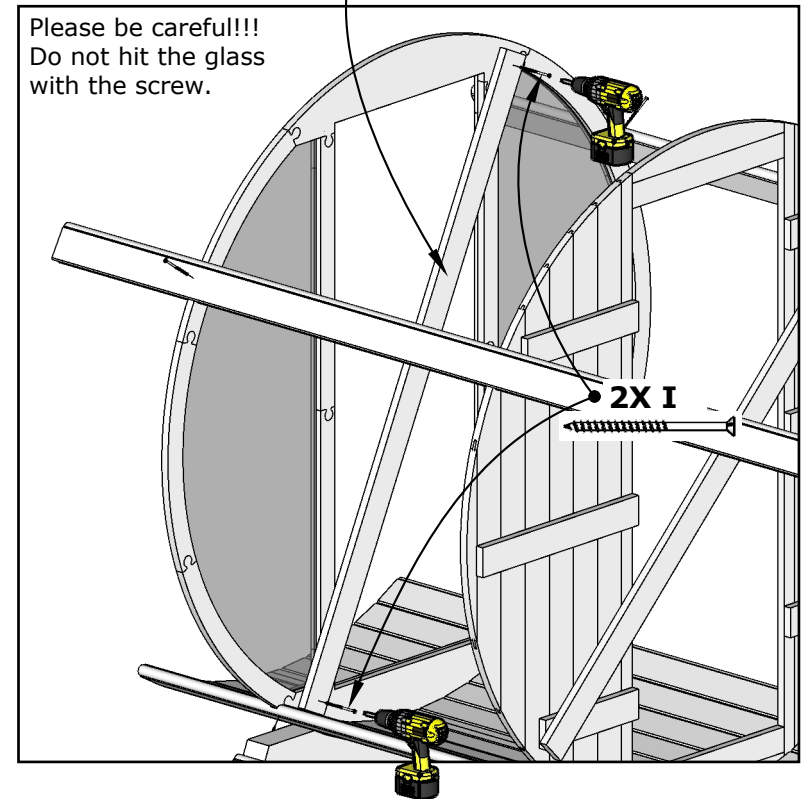
DET U
• Fix it diagonally to make wall more rigid during the installation.

I



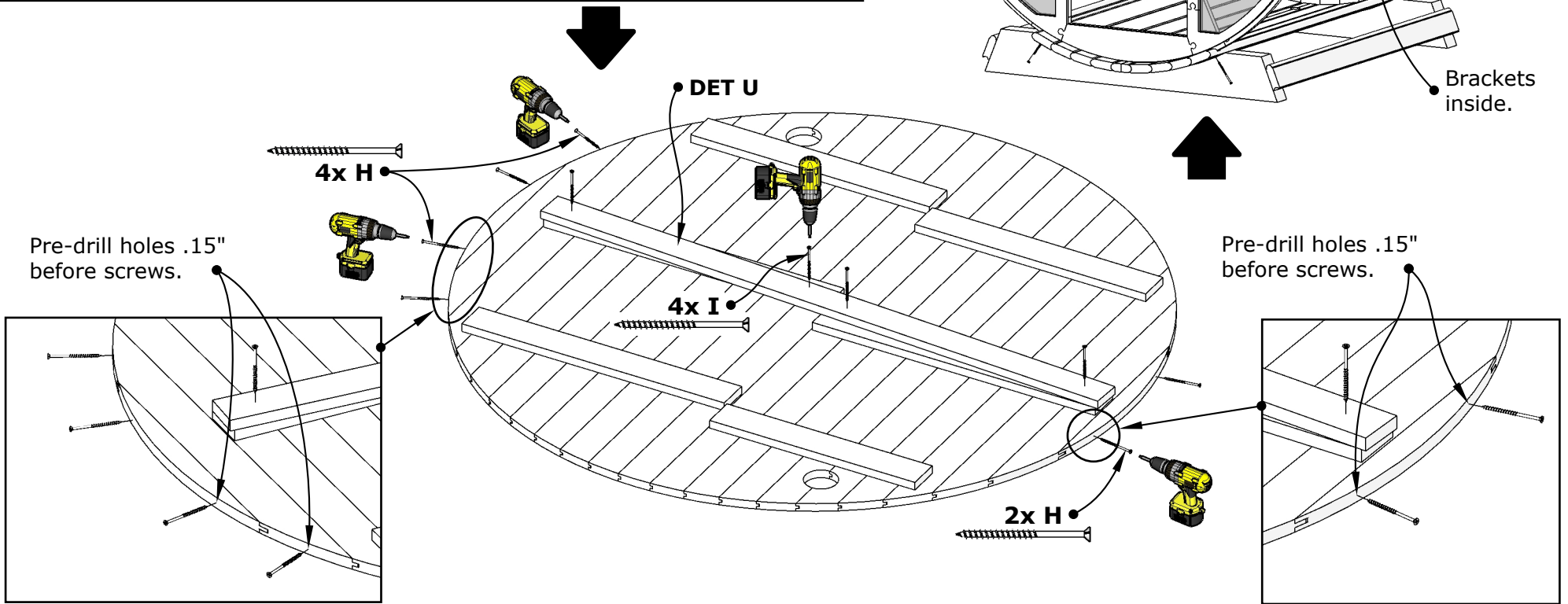
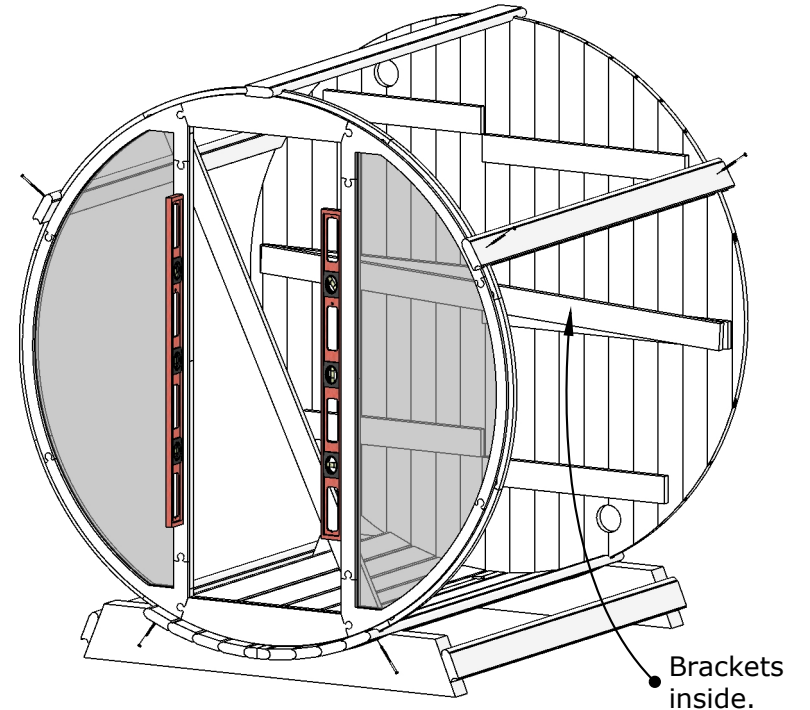
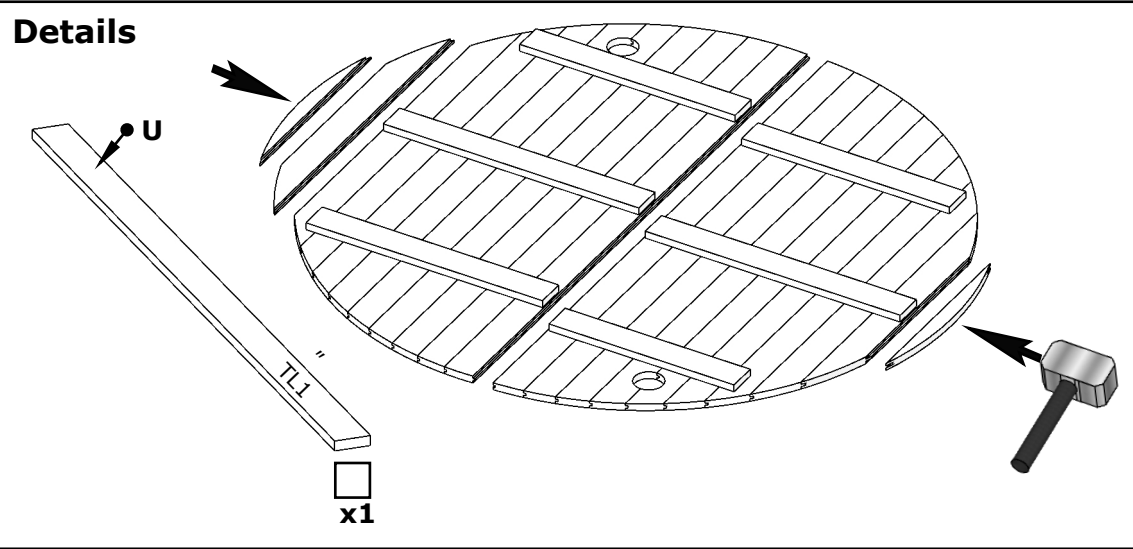
Please be careful!!!
Do not hit the glass
with the screw.

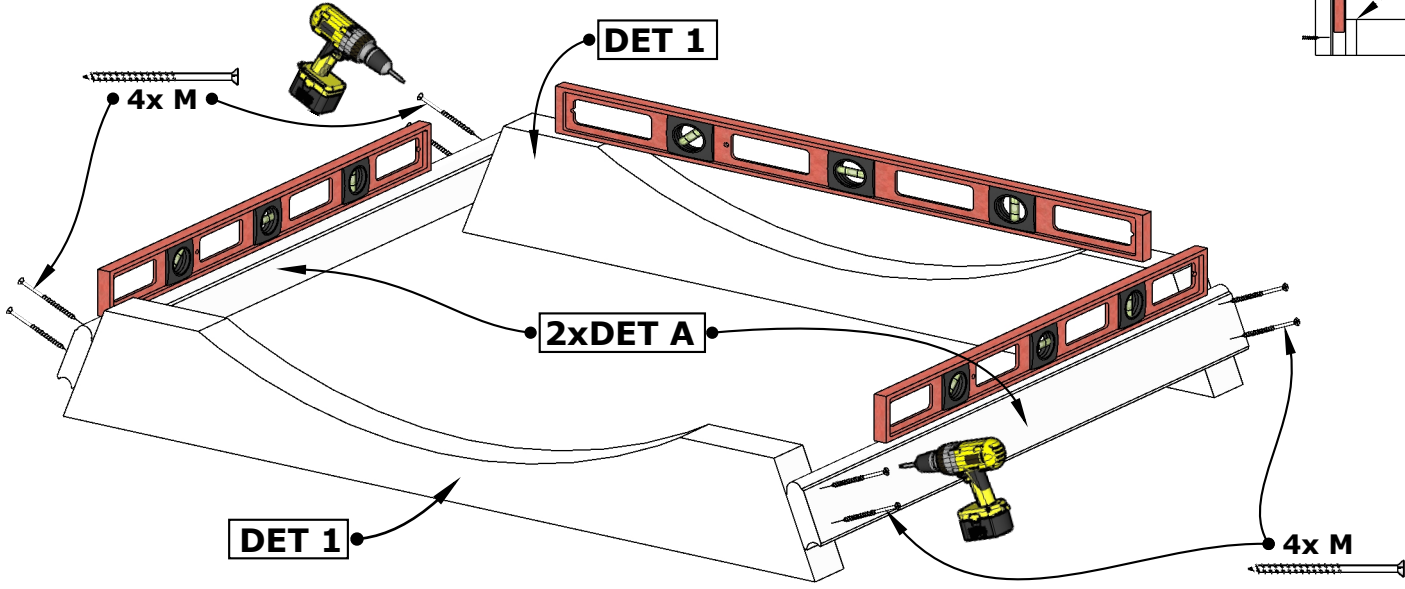
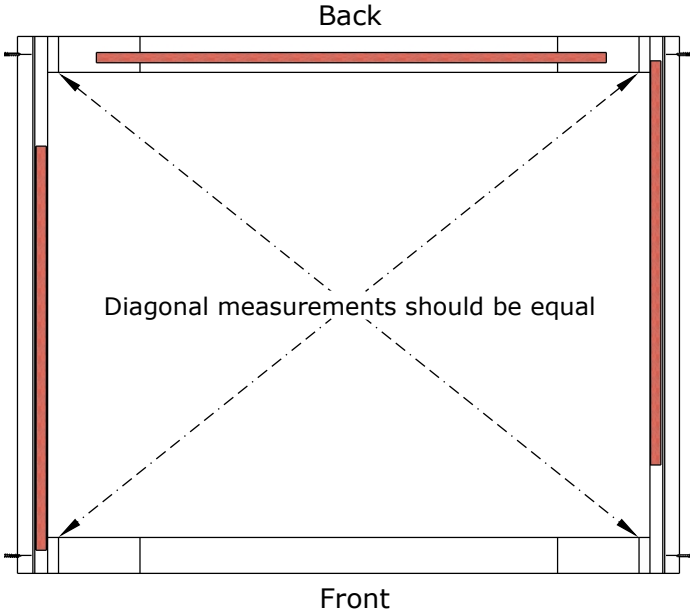
II



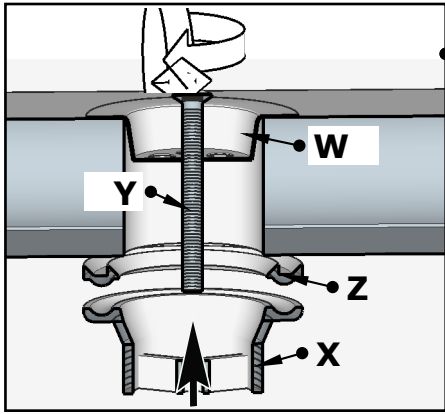
III

Wooden back wall assembly

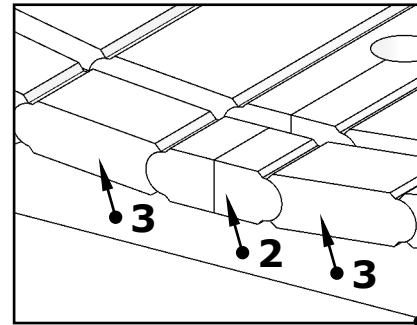
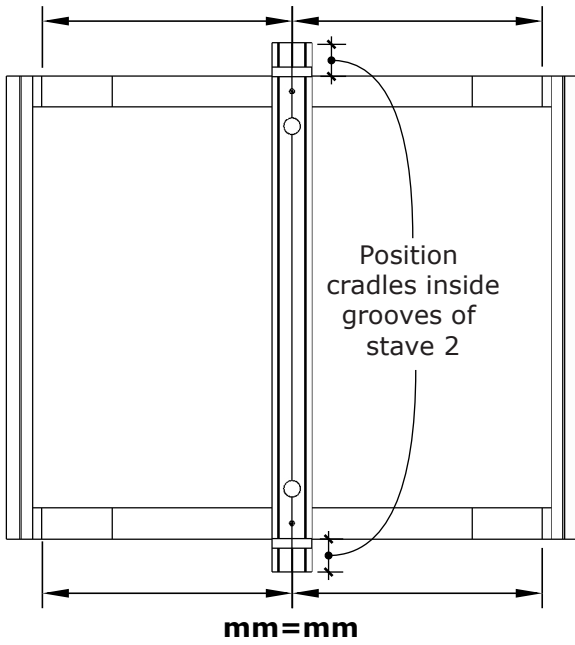
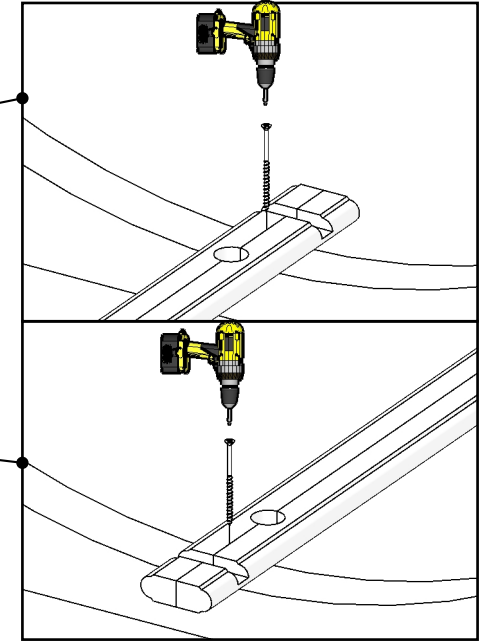
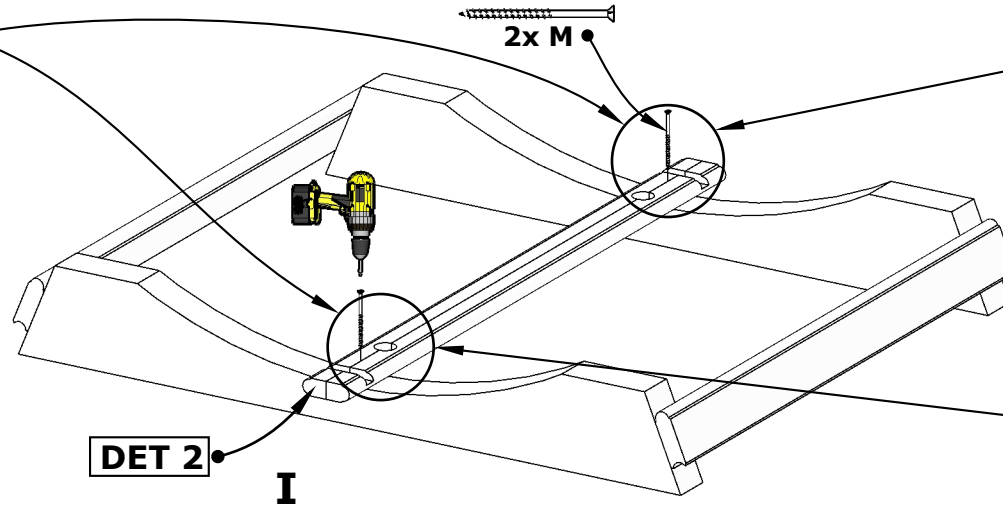




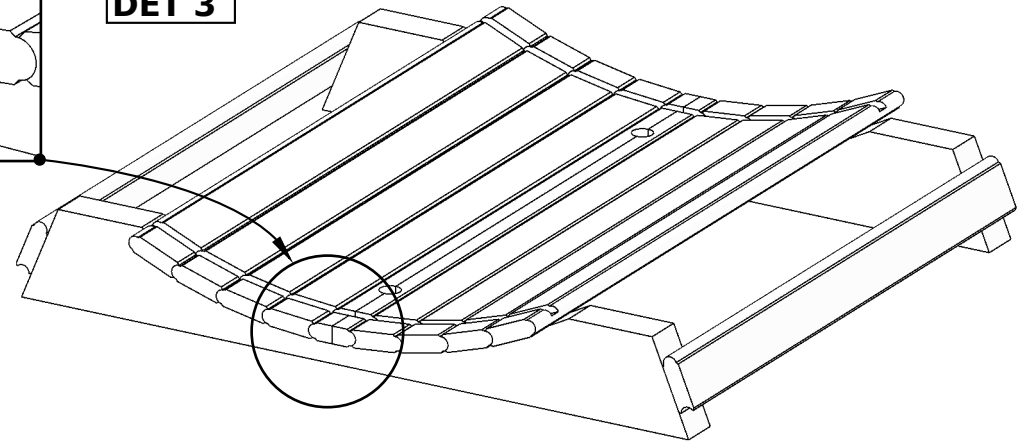
EE6G Barrel Sauna 63D" x 90H"



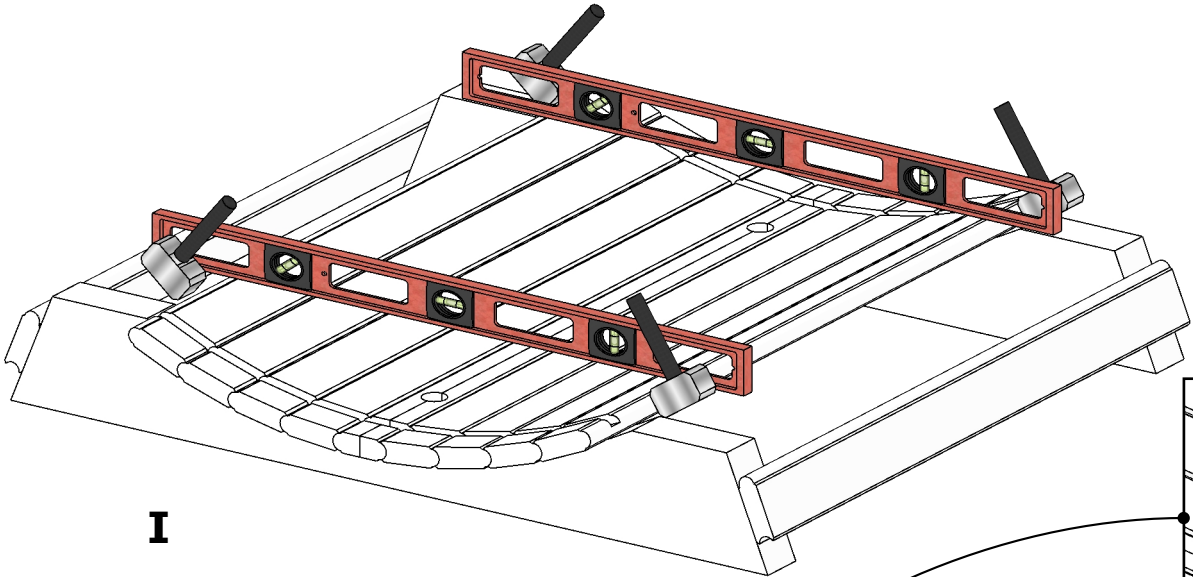
Center stave 2 on cradle 1



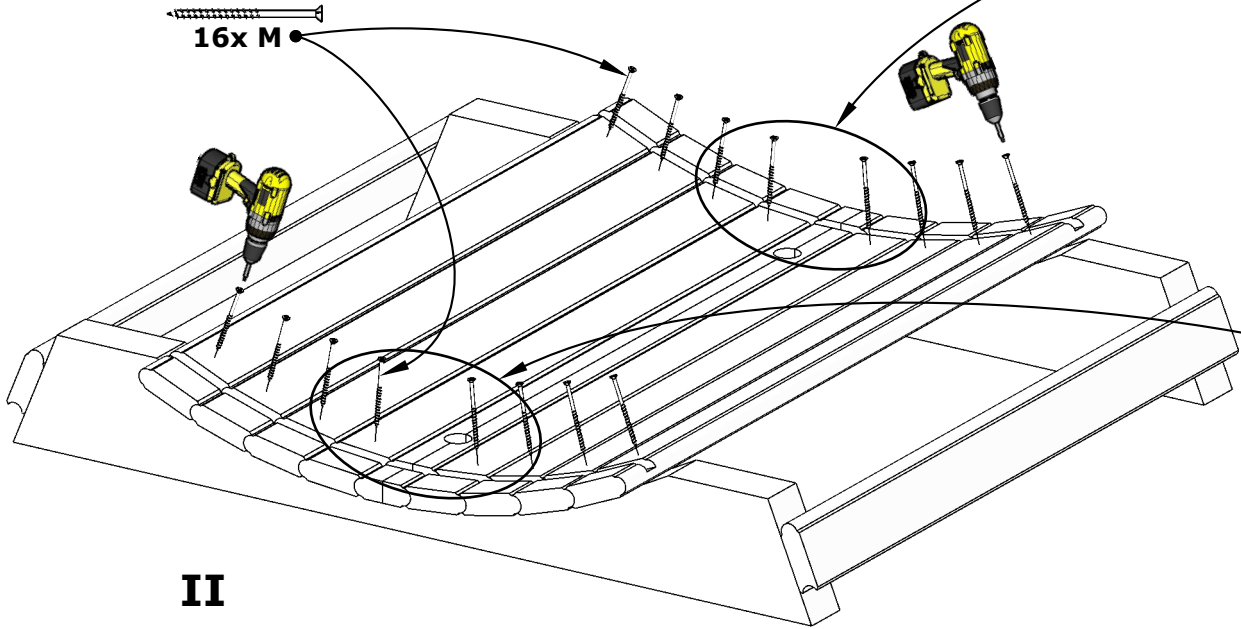
DET 3



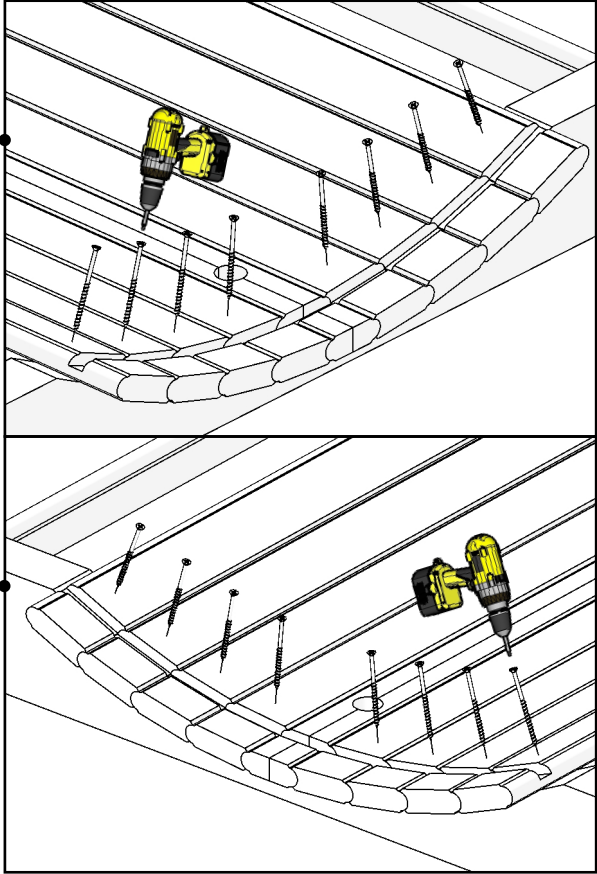
II



I

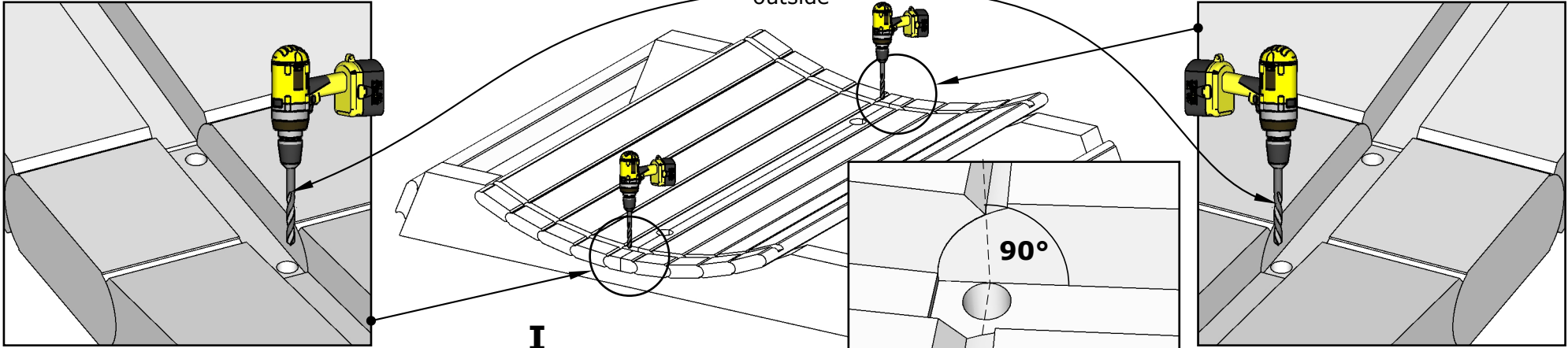


II

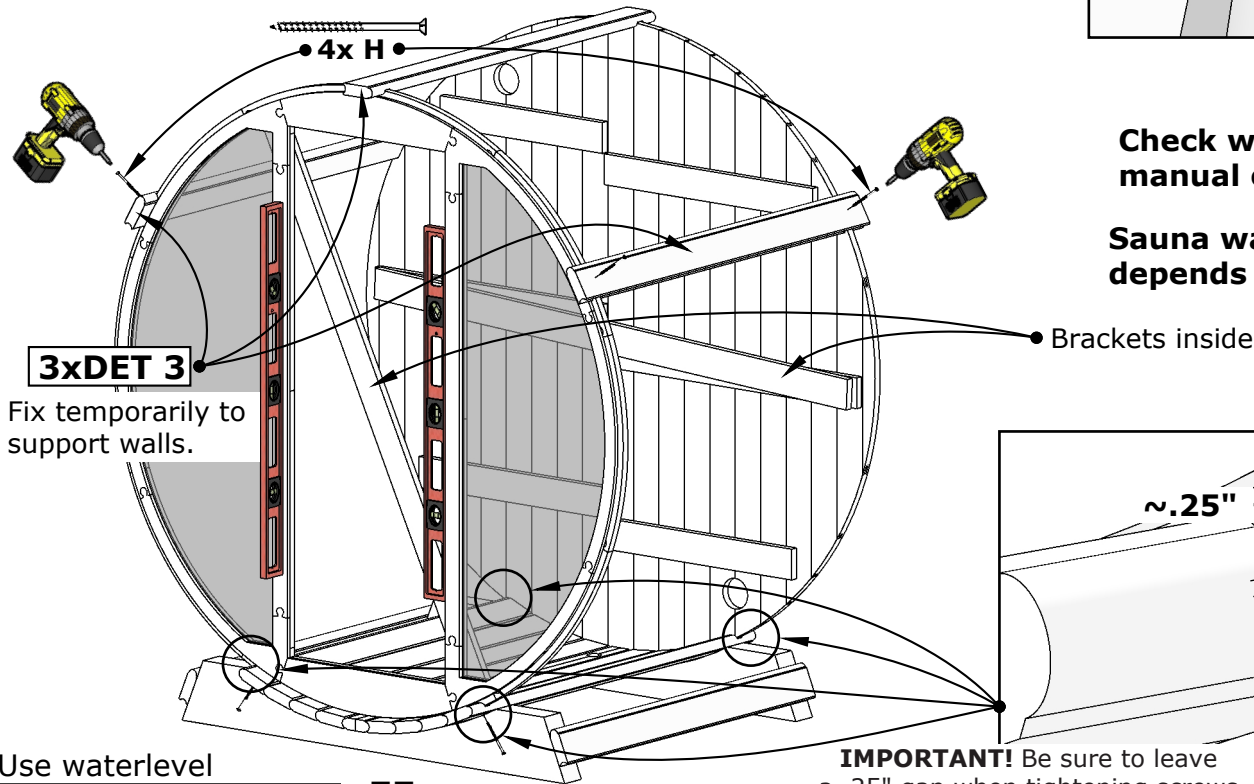


EE6G Barrel Sauna 63D" x 90H"

Drill 4 holes .50" through DET 2 outside



I



3xDET 3
Fix temporarily to support walls.

Check walls installation manual on extra pages!

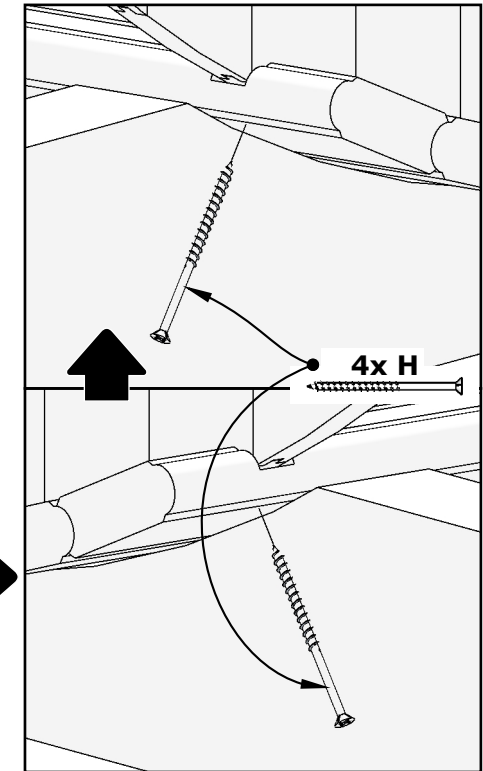
Sauna wall configuration depends on Your model!

Brackets inside

Use waterlevel  II

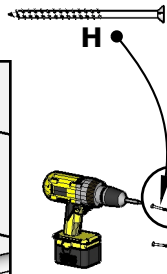
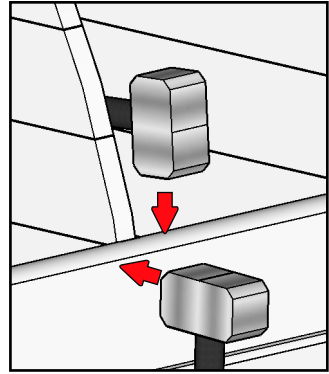
IMPORTANT! Be sure to leave a .25" gap when tightening screws to leave room for adjustment when the outer bands (B) are installed.

~.25"



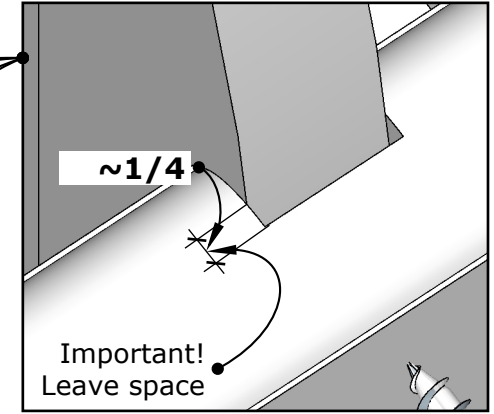
EE6G Barrel Sauna 63D" x 90H"

Remove temporary bracing

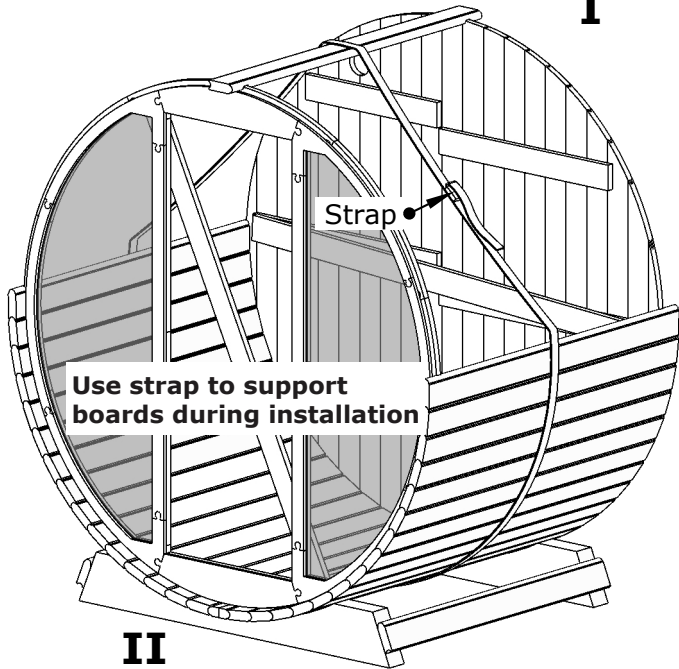


DET 3

I

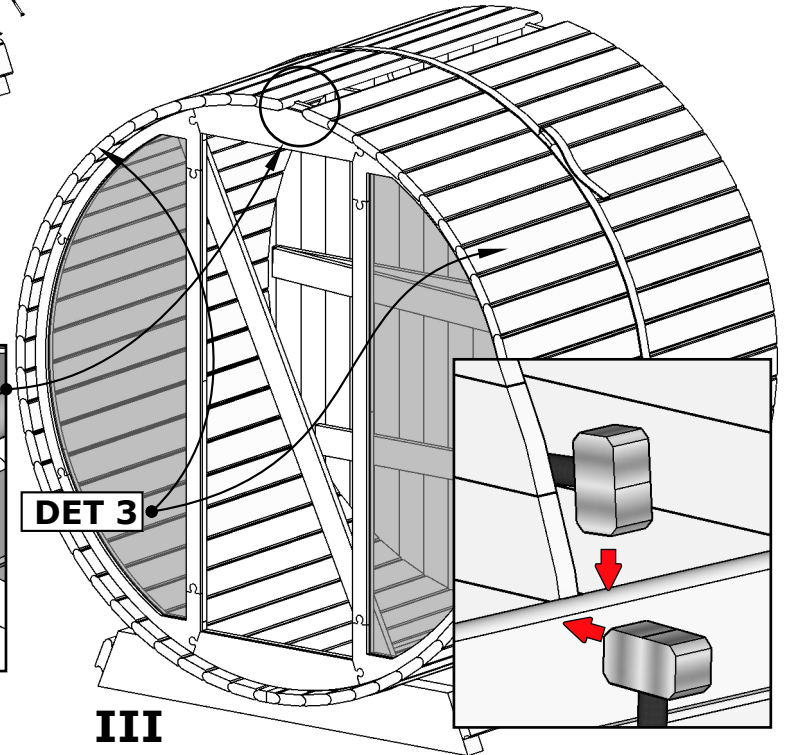
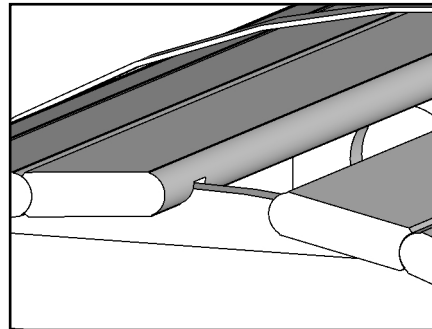


IMPORTANT! Be sure to leave a .25" gap when tightening screws to leave room for adjustment when the outer bands (B) are installed.

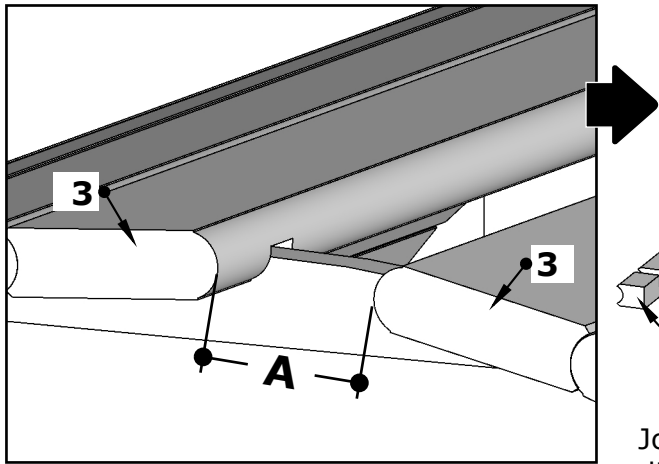


II

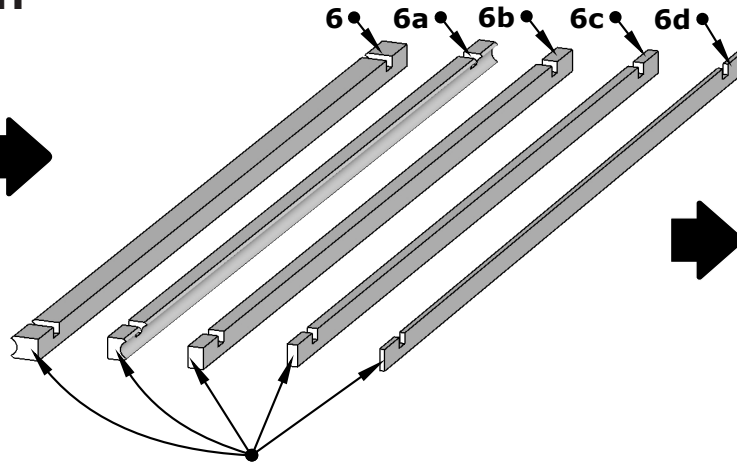
See the next page.



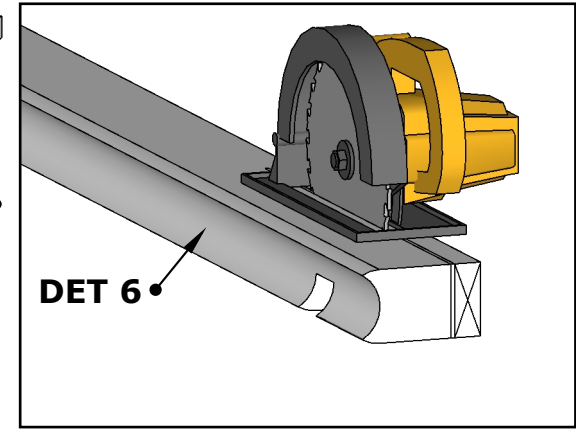
III



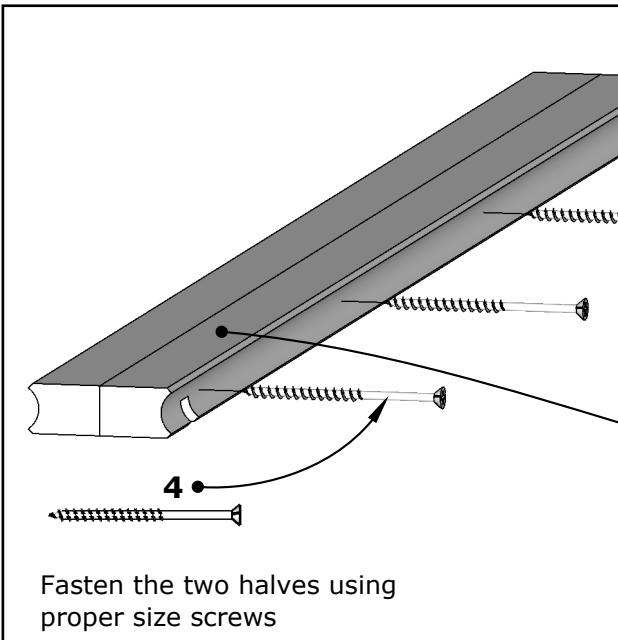
I



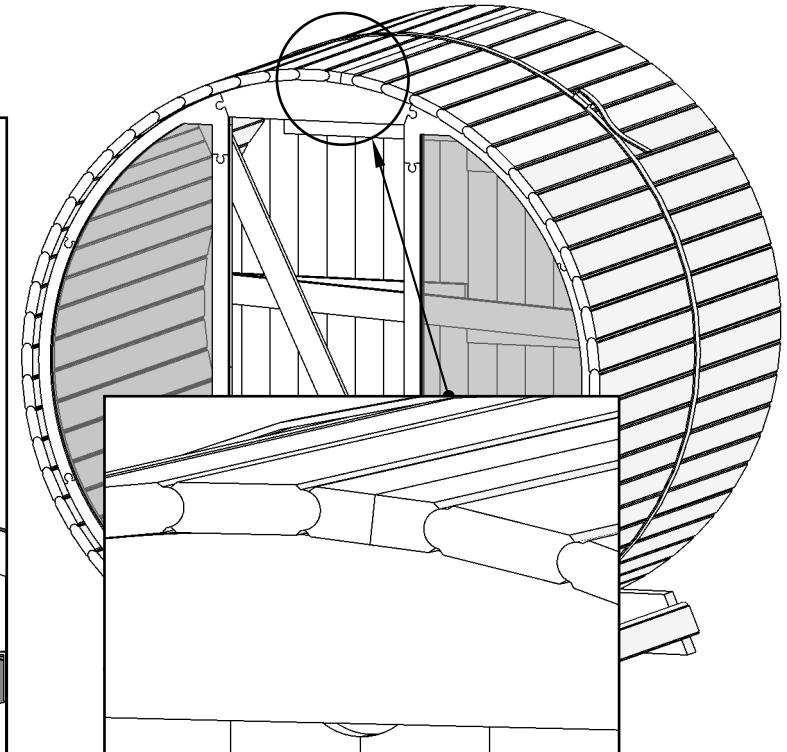
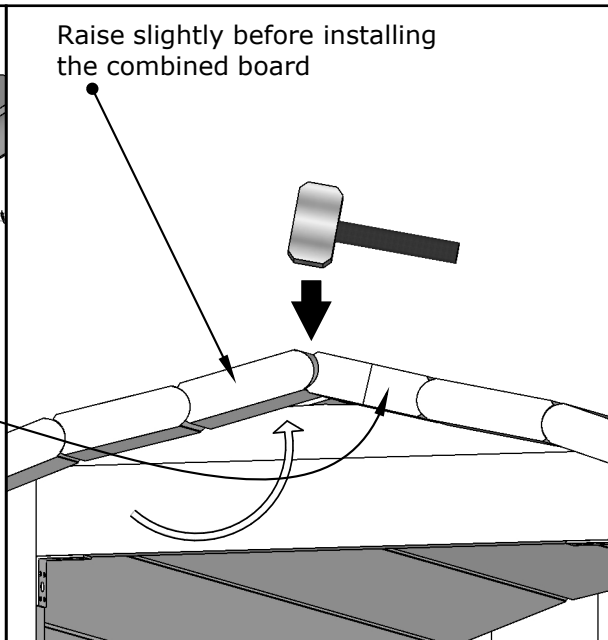
Join two boards together (as shown in diagram II) that will bridge the width of the "A" gap. It is recommended that the combined boards are approximately .25" wider than the gap.



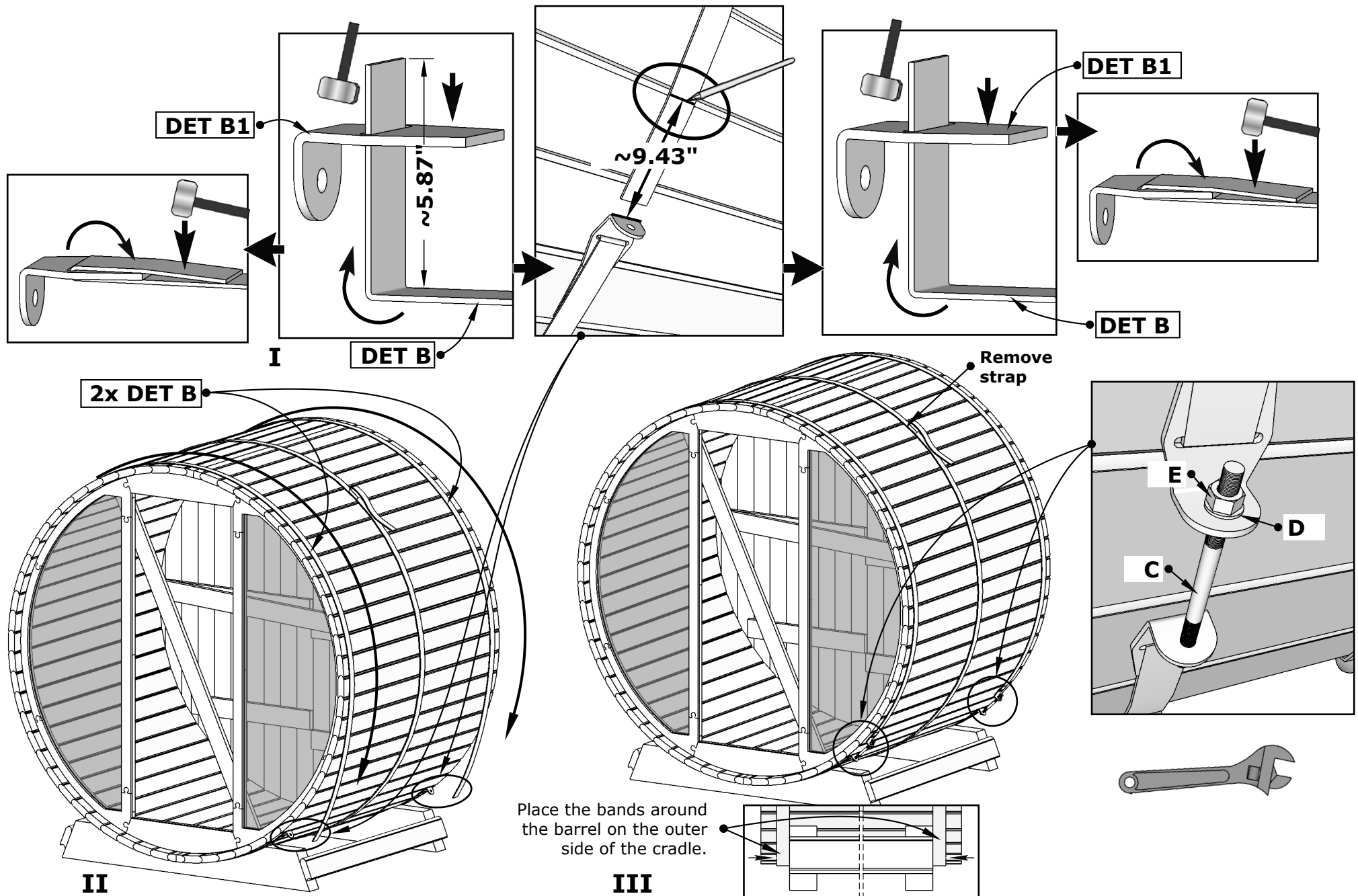
If needed, trim the flat edge of the board to create the desired width.



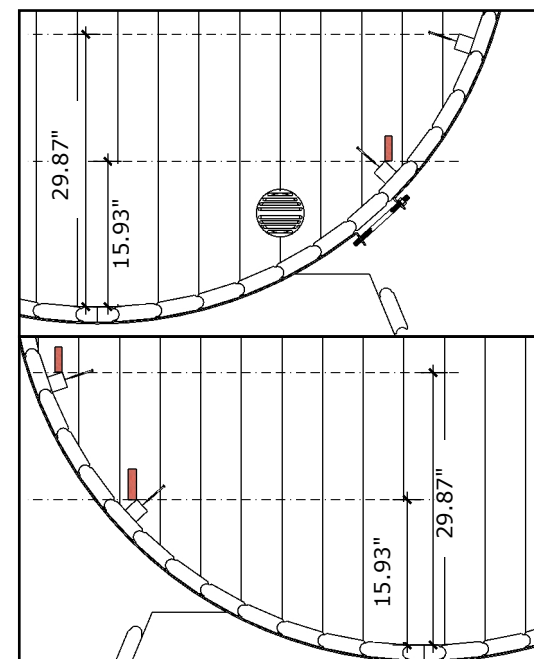
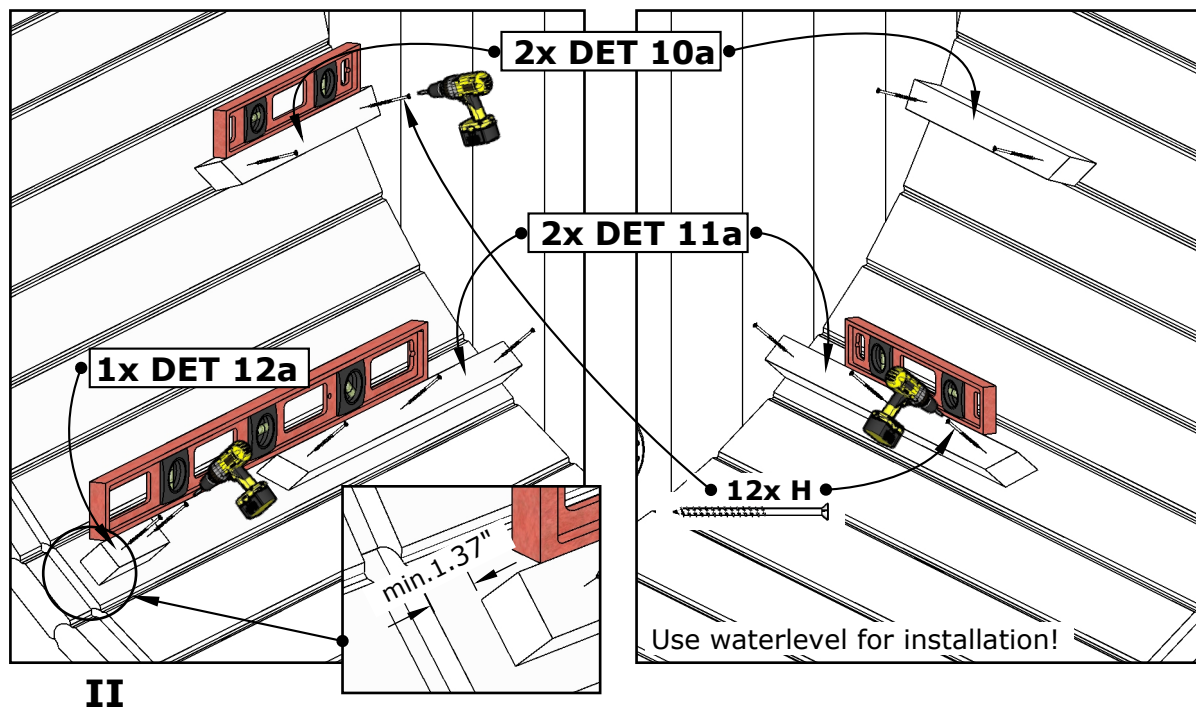
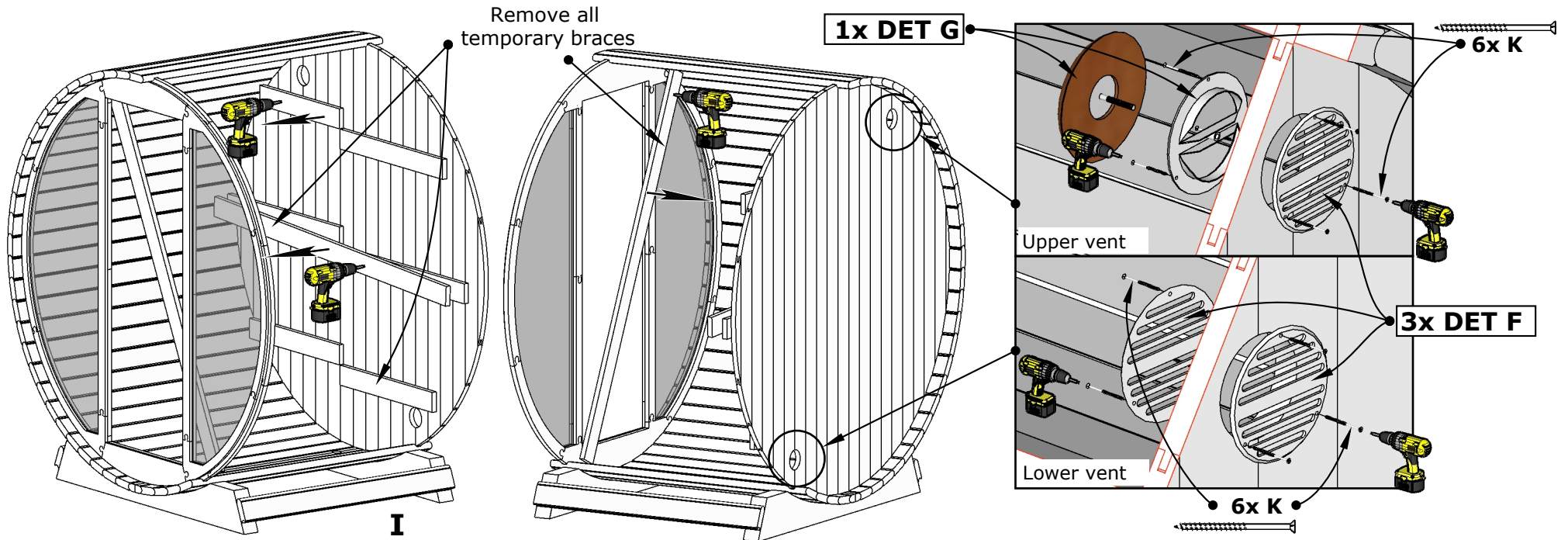
II



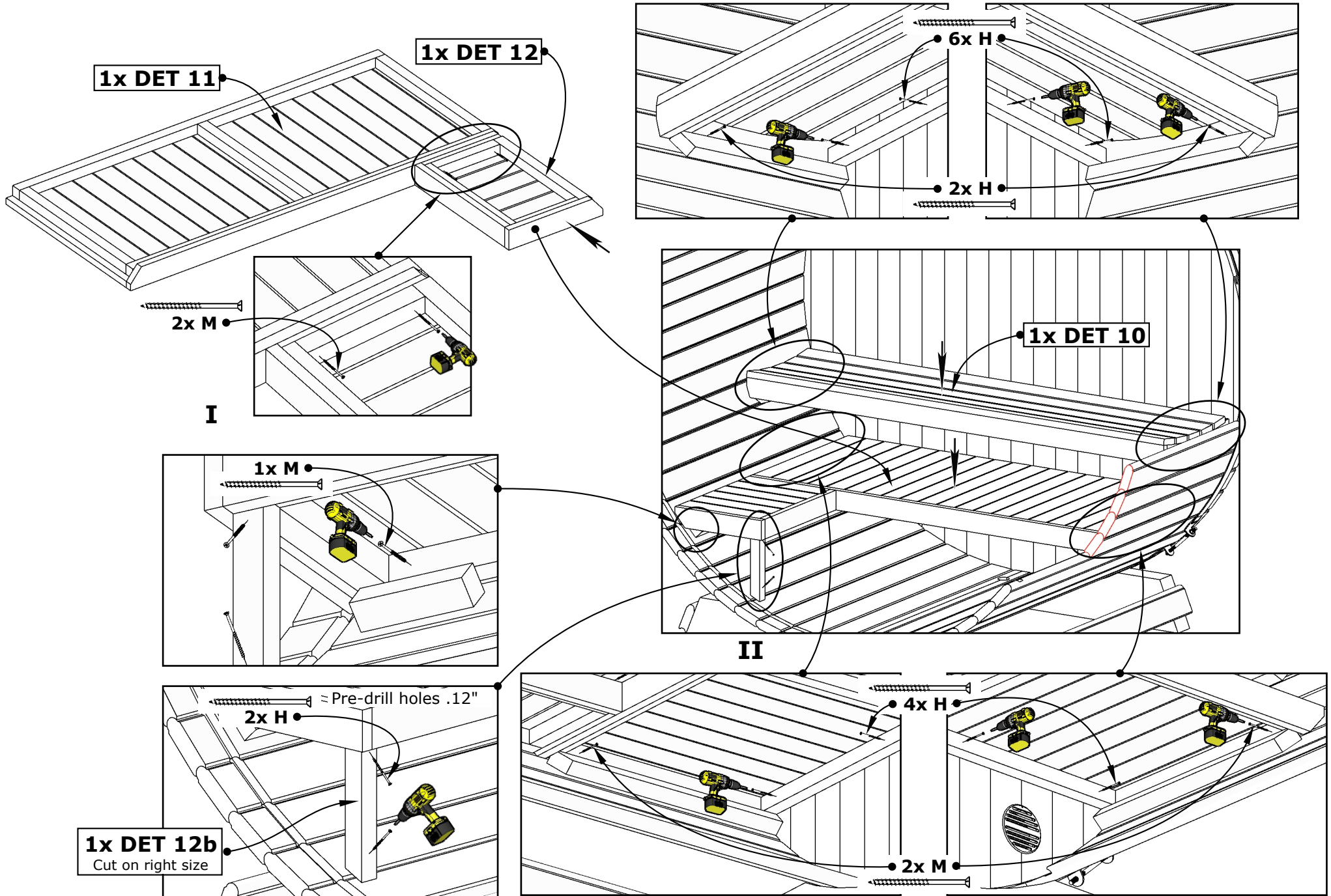
III

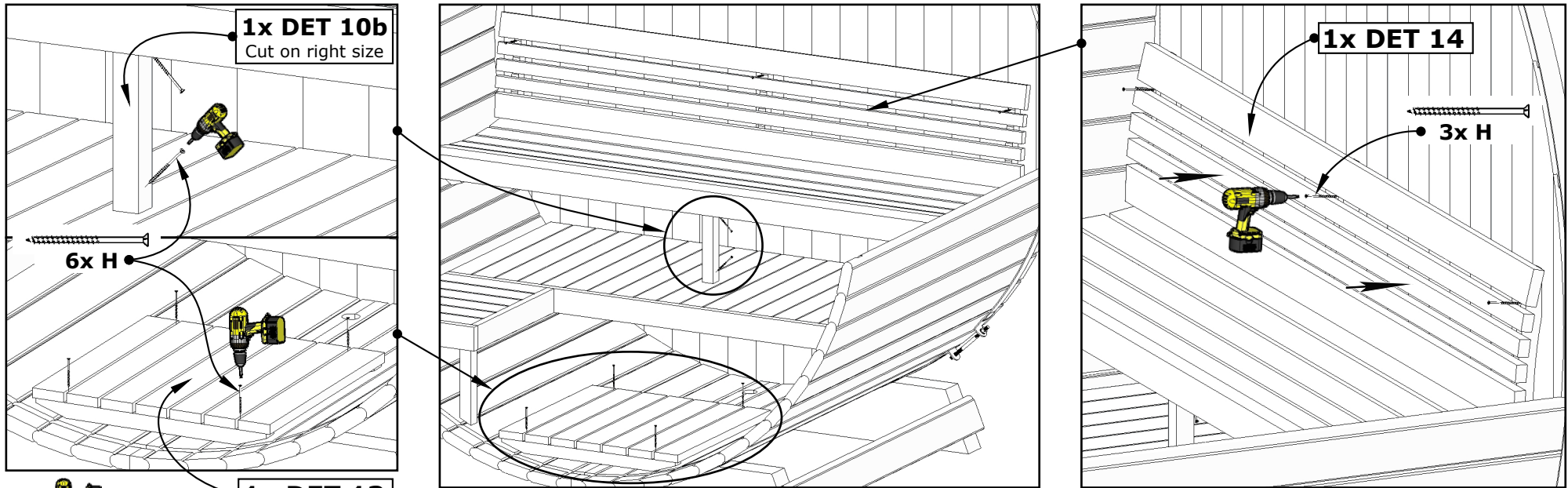


EE6G Barrel Sauna 63D" x 90H"



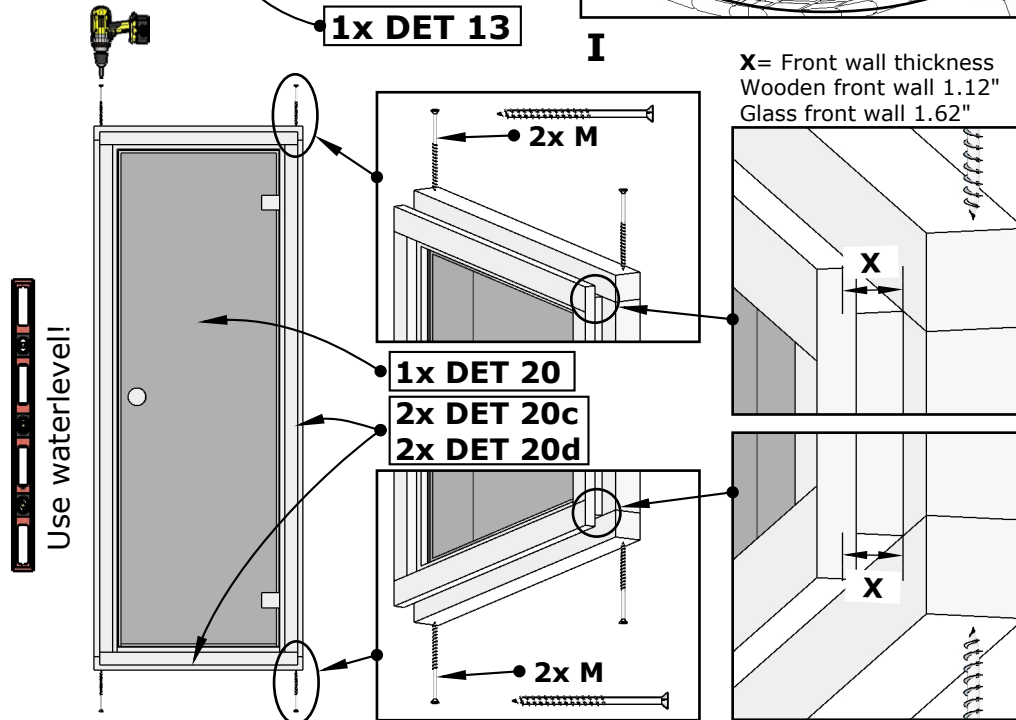
Use waterlevel for installation!



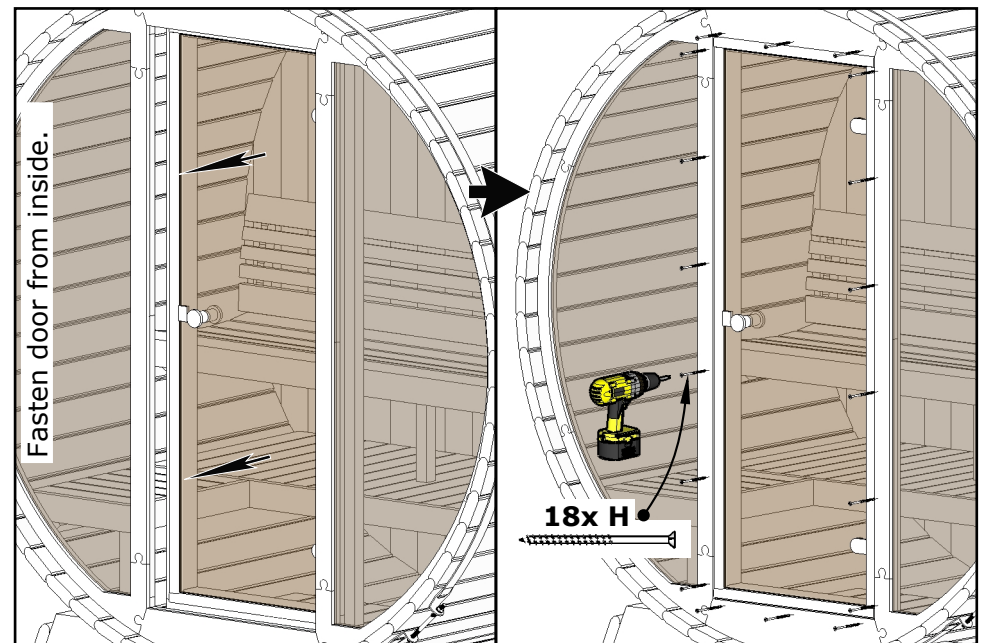


I

X= Front wall thickness
 Wooden front wall 1.12"
 Glass front wall 1.62"



II

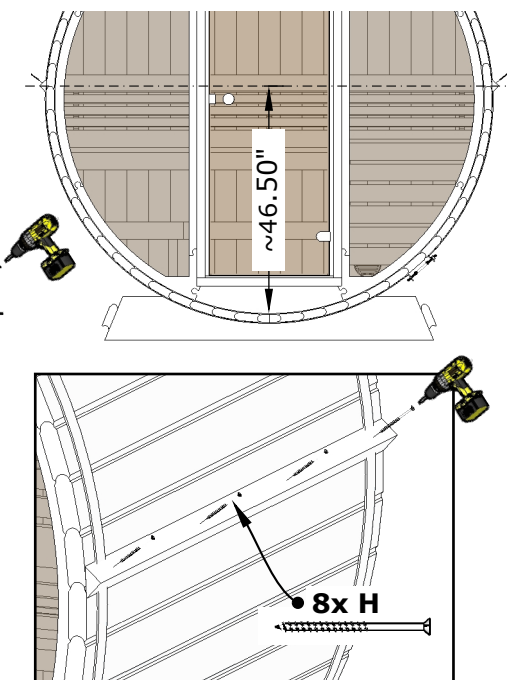
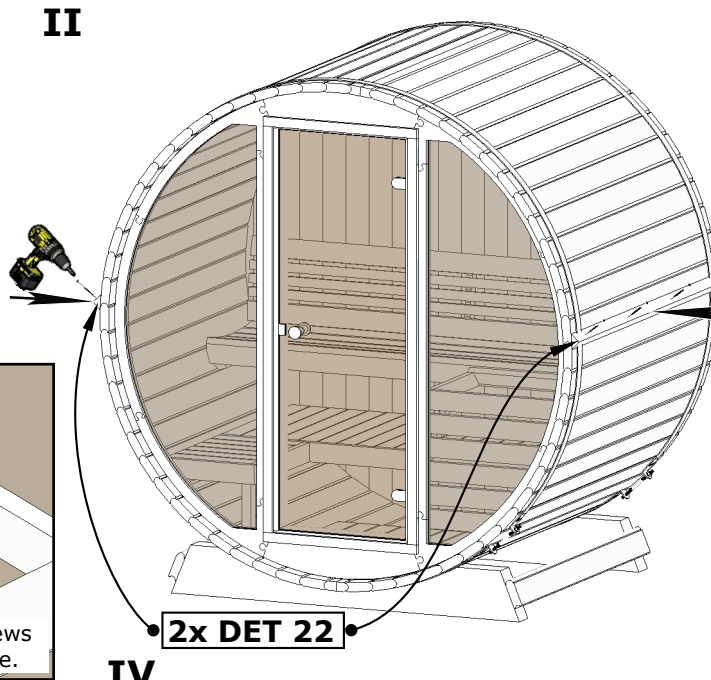
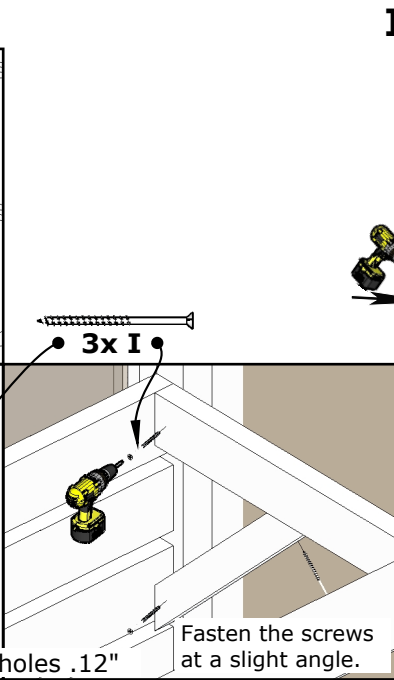
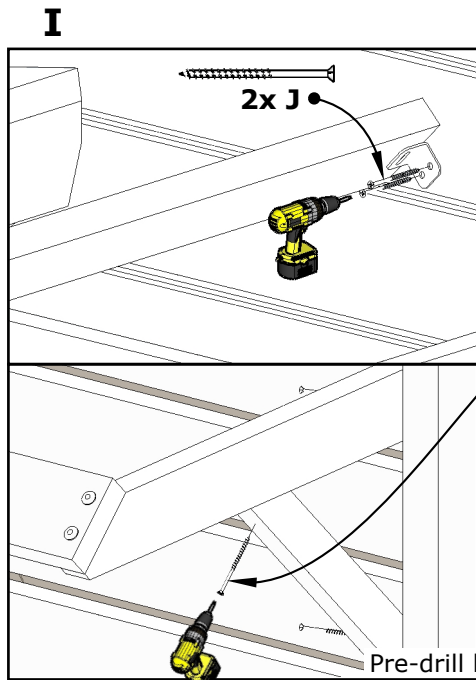
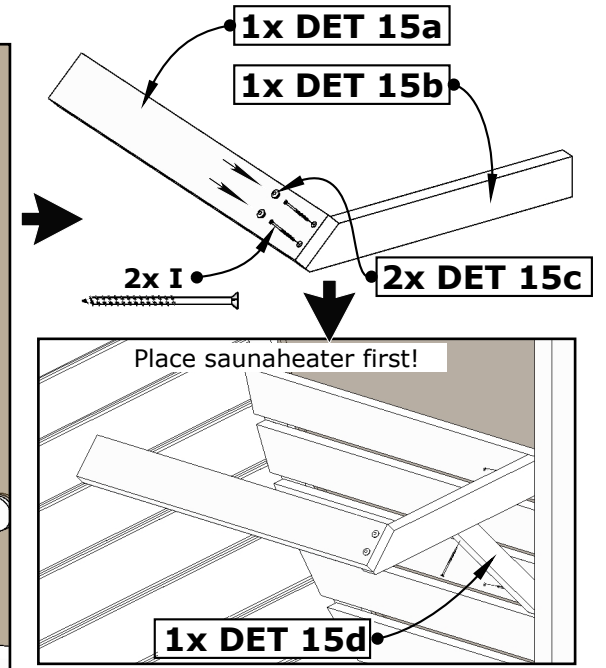
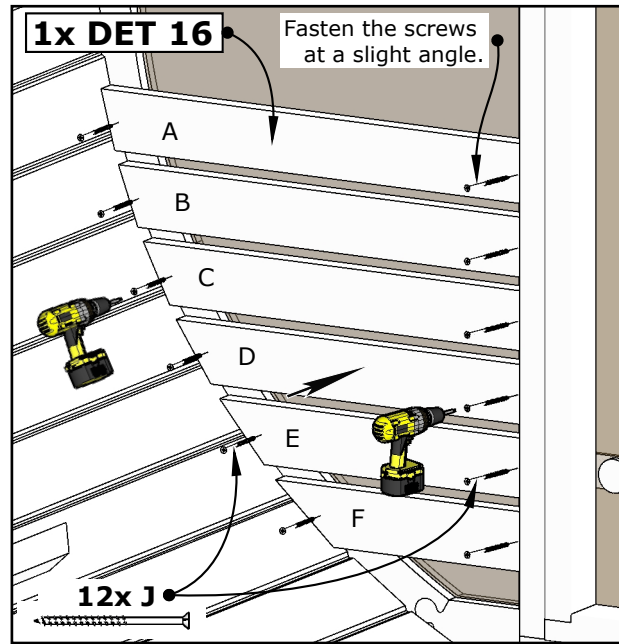
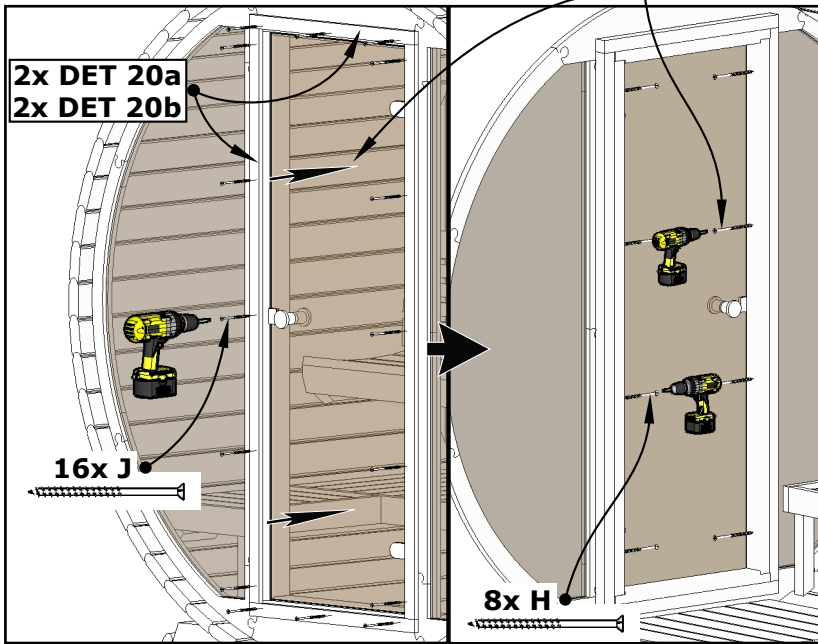


Fasten door from inside.

EE6G Barrel Sauna 63D" x 90H"

Ensure door frame is pressed tightly against the wall and fasten from inside

Please be careful!!! Do not hit the glass with the screw.



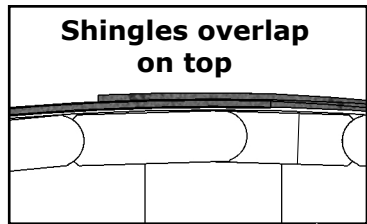
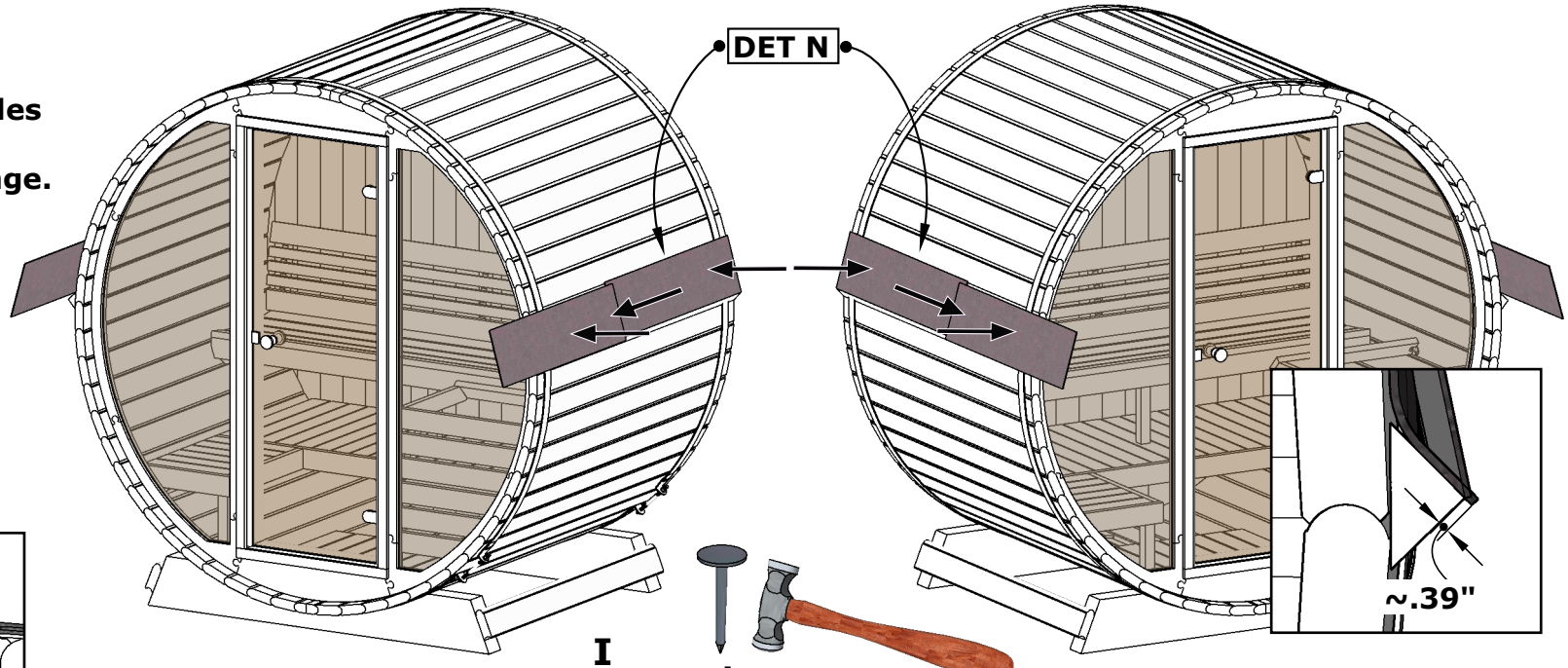
I

II

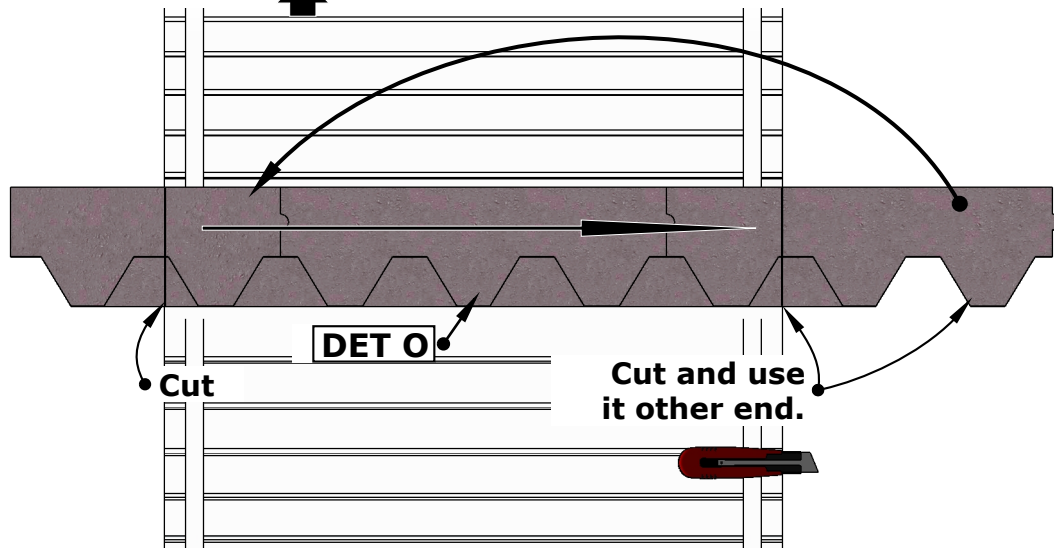
III

IV

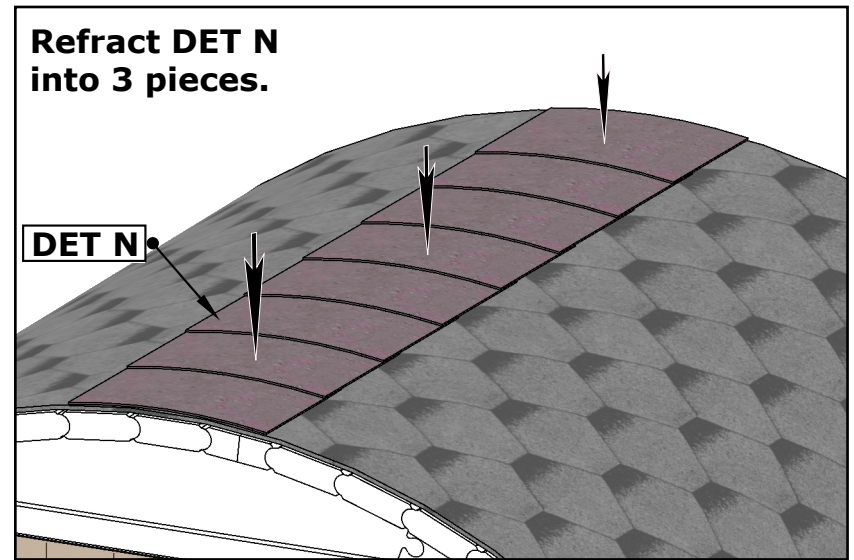
NB! Check also shingles installation manual inside shingles package.



Check also roof shingles installation manual inside package.



II



Refract DET N into 3 pieces.

III

