


READ ME FIRST!

IMPORTANT NOTE:

As you follow these instructions, you will notice warning and caution symbols. This blocked information is important for the proper and efficient installation of the linear steam head. These are types of potential hazards that may occur during installation:

 **CAUTION** signals a situation where minor injury or product damage may occur if you do not follow instructions.

IMPORTANT NOTE: This highlights information that is especially relevant to a problem-free installation.

All information in these instructions is based on the latest product information available at the time of publication. Sussman-Automatic Corporation reserves the right to make changes at any time without notice.

BOX CONTENTS:

- Linear Steam Head
- Silicone Sealant
- Installation Instructions

CAUTIONS

- Linear Steam Head model 104216 is suitable for MrSteam generator models MS90 – MS400, MSSUPER1– MSSUPER3 and CT6-CT15.
- Using model 104216 for any steam generator model larger than the MS Super 3, or for any non MrSteam brand generators may result in an improper installation or hazardous condition.
- SUPER4, 5 & 6 REQUIRE two 104216 steam heads
- Because the steam head and direct steam emission are very hot, locate the steam head where incidental contact by the user with the steam head or direct steam emission cannot occur.
- For residential and Day Spa use only.
- Install in a horizontal orientation only. Installation in a vertical orientation may concentrate the steam and result in excessive temperatures.
- Insulate the steam head and piping as required to reduce temperatures within the wall cavity.
- The steam head and piping may result in elevated temperatures within the wall cavity and adjacent surfaces. Do not locate the steam head near any materials, including wiring, devices or products that may be adversely affected by elevated temperatures.
- Steambath controls feature an integral temperature sensor. Locate the steam head in a location where steam emissions will not directly impact the steam control.
- Use the supplied high temperature silicone sealant or equal silicone based product. Do not seal the steam head with grout or any other material that may be compromised by heat.

IMPORTANT NOTES:

- See the Installation and Operation Manual provided with the steam generator for additional important installation and operation information. If this installation and operation manual is not available then go to www.mrsteam.com for an online copy, or contact MrSteam Customer or Technical Services at 800-767-8326 or 800-727-8326 for a free copy.
- Do not disassemble the steam head. The steam head is shipped fully assembled and requires no additional assembly. Disassembly of the steam head may result in a leak within the wall cavity and cause property damage.
- To prevent door seal damage do not locate the steam head where direct steam emission can contact door seals or any non-heat resistant product.
- Do not use abrasive cleansers or chemicals to clean the steam head. Use only water with mild soap and a non-abrasive sponge.
- Consult with supplier of acrylic, fiberglass and other non-heat resistant enclosures for steam bath compatibility and for recommended steam head locations.

Installation Instructions: Model 104216

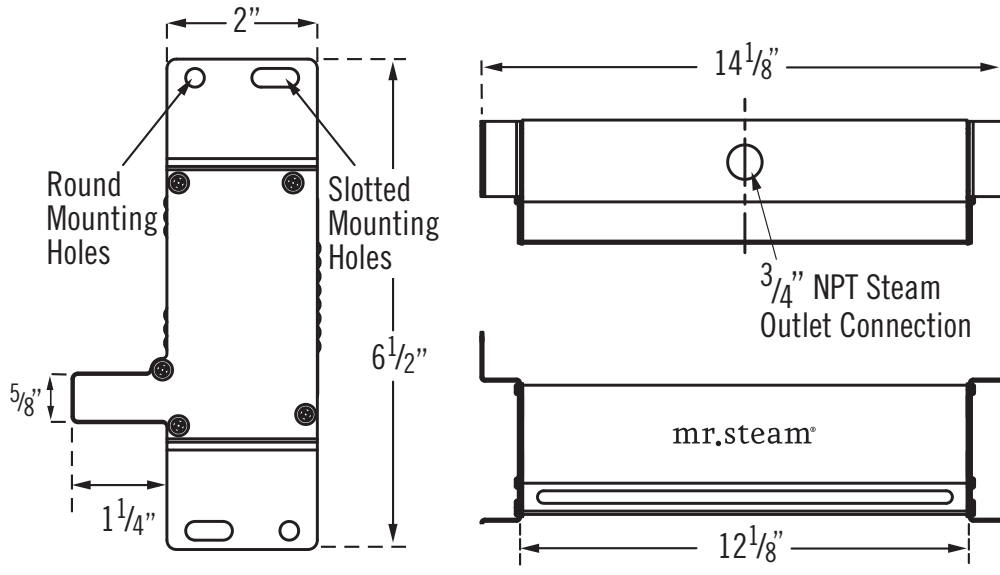


Figure 1

INSTALLATION STEPS

1. Locate the steam head 6-12 inches above the finished floor. When installed in a Tub/Shower enclosure, locate the steam head 6" above the tub top edge.

Do not locate the steam head in any location where the steam emission zone is near a seat, bench, or any space occupied by any persons. See Fig. 2 for a diagram of the steam emission zone.

Generator Model	Steam Emission Zone
MS90 – MS400	18"
CT6, CT9	18"
SUPER 1 – SUPER3	24"
CT12, CT24	24"

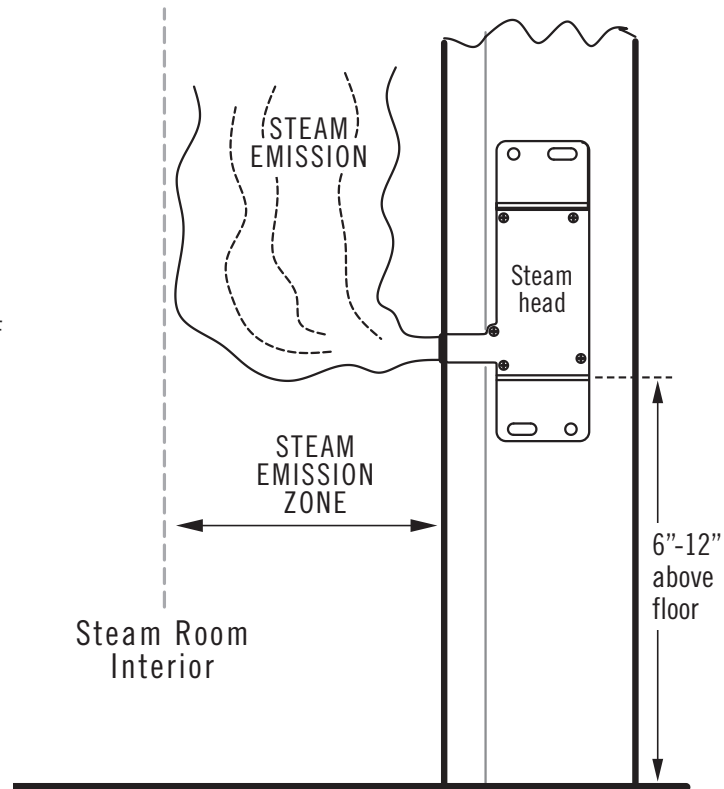


Figure 2

Installation Instructions: Model 104216

2. Confirm proper stud spacing: The studs must have a minimum spacing of 14-1/8" and a maximum spacing 14-1/2 inches. If the stud spacing is outside the required range then shim or otherwise space the studs as required. Installing the steam head with incorrectly spaced studs may result in damage to the steam head and result in a leak within the wall cavity and cause property damage.
3. Determine the location of the finished wall surface. Mount the steam head between two studs using the four slotted holes to position the steam head face to be flush or extend 1/8" from the finished wall surface.
4. Use a level to ensure the steam head is level in both the horizontal and vertical positions (see Fig. 3) and the steam head face is flush or extend 1/8" from the finished wall surface. Install the four screws in the mounting holes to secure the steam head.
5. Plumb rigid copper tubing or brass pipe from the steam generator to the steam head. Plumbing must not form traps or valleys. Thread sealant must be used as required to ensure a leak free joint.
6. Run the steam generator to check that the steam head installation is leak free.
7. Insulate steam line and steam head using insulation rated 212°F or higher.
8. After the finished wall surface has been installed use high temperature caulking around the steam outlet as required to make a waterproof seal. (see Fig. 4)
9. Remove the plastic protective film covering the steam outlet to complete the installation.

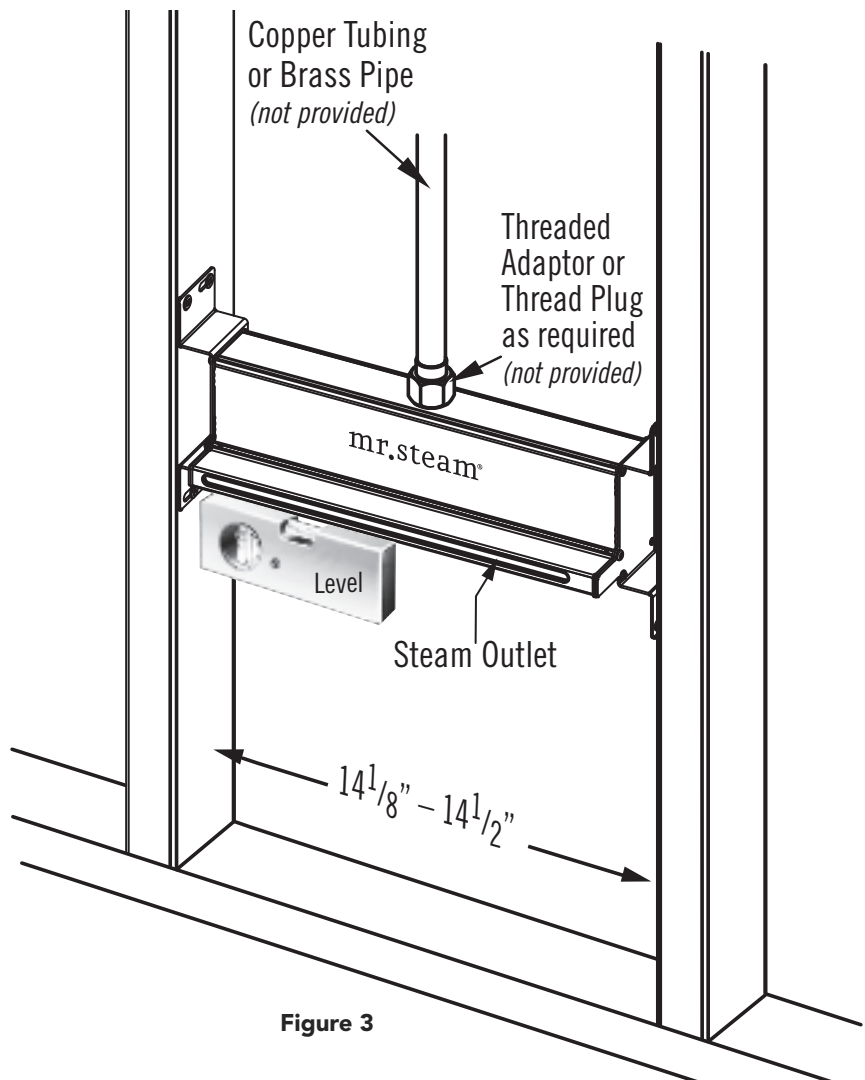


Figure 3

Installation Instructions: Model 104216

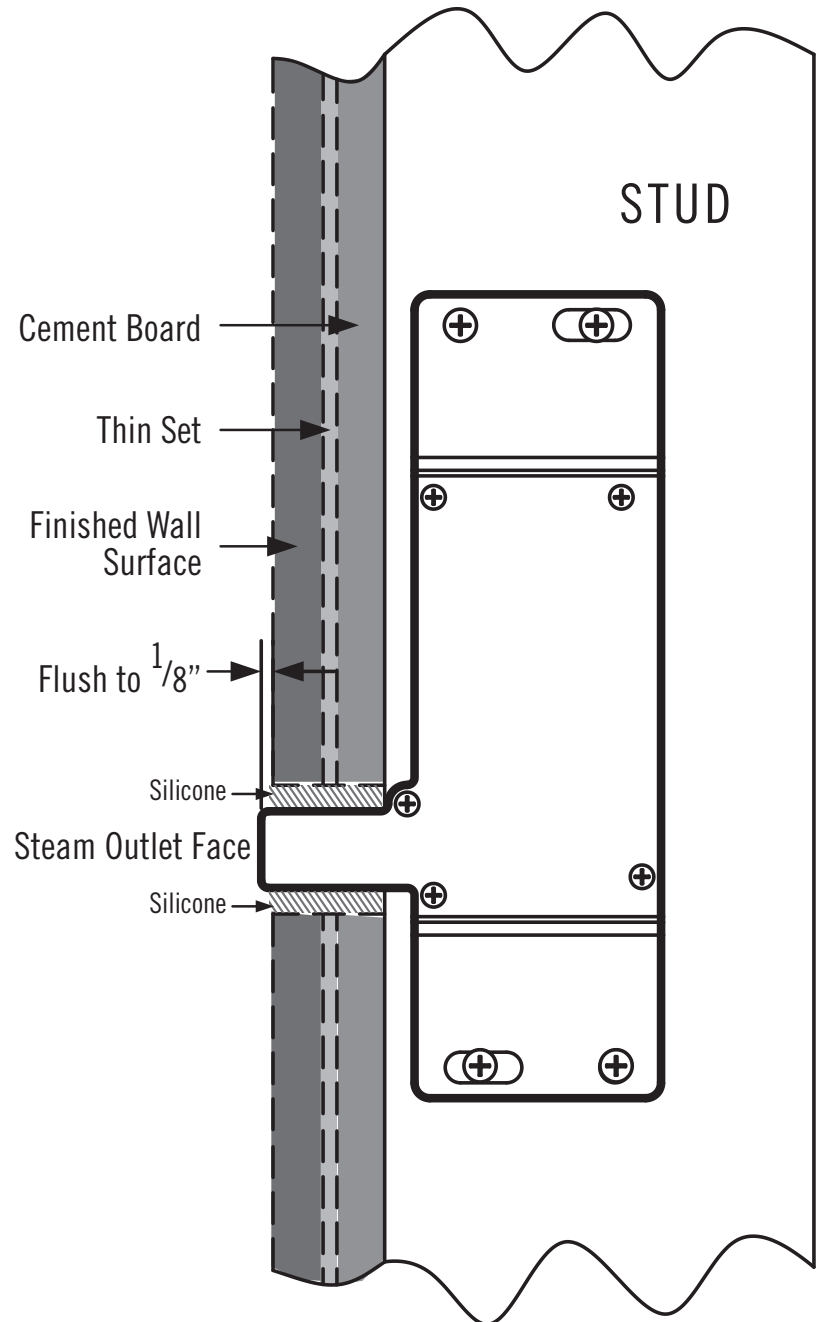


Figure 4

- Complete steam room tile construction information is available from the Tile Council of America, Inc. by purchasing the TCA Handbook for Ceramic Tile Installation. 864- 646-8453 or www.tileusa.com. Information on marble steam room construction is available from the Marble Institute of America www.marble-institute.com
- Finished wall surface may be tile, marble, granite or other steam rated surface.
- MrSteam is not responsible for the steam room construction.
- Consult with qualified designer, architect or contractor for steam room construction.

For Installation assistance please call Customer or Technical support:
East Coast 1-800-767-8326 • West Coast 1-800-727-8326
To view an installation video please go to: www.mrsteam.com