



saunum

Sauna climate unit **Saunum AirSolo**

ENG • FRE

Almost Heaven Group LLC
<https://www.almostheaven.net>
(304) 645-2310





Sauna climate unit **Saunum AirSolo**

- INSTRUCTIONS FOR INSTALLATION AND USE
- INSTRUCTIONS D'UTILISATION ET D'INSTALLATION

ENGLISH _____	5
FRANÇAIS _____	41

ENG

INSTRUCTIONS FOR USE AND **INSTALLATION**



saunum

Sauna climate unit
Saunum AirSolo



THE BEST SAUNA EXPERIENCE TO HAVE!



I am very glad that you have invested in the Saunum device, and I believe that our innovative technology will offer you a wonderful and extraordinary sauna experience.

I have a degree in thermal engineering and come from the Southern Estonia, where my love for saunas began. The special feature of local historic smoke saunas is the lower temperature and higher humidity level than, for example, a classic Finnish sauna. In ordinary saunas, the stone volume of the sauna heater is generally small. Such an arrangement can cause a sudden, burning hot steam and an extremely uneven temperature, where your head and shoulder level is really hot, but your feet are left cold. Such an experience can be quite unpleasant and may cause headaches and lead to body stress. However, in ancient smoke saunas and Native American saunas, the stones were first heated during the day. Then the heat stored in the stones was used to cleanse the body and create a truly enjoyable sauna experience.

Inspired by the experience of a smoke sauna, I wanted to create an innovative solution that combines the best features of an authentic sauna with modern technology; enabling a pleasantly mild and relaxing sauna experience without painfully scorching steam. For that, however, I had to solve the problem of how to achieve an even temperature, at both the head and foot levels. My development work was supported by research done alongside Tallinn University of Technology,



in which we analyzed the thermal stratification and air movement in the sauna room. Saunum was born in cooperation between scientific thinking and technological innovation.

Saunum's unique patented mixing system of air layers captures the hot steam that rises under the ceiling of the sauna room, mixes it with the cooler air from the surface of the floor, and directs the milder steam back evenly. This makes for an enjoyable, unaggressive heat. You can sit in the sauna for a longer time, and enjoy a sweat and a deep cleanse without feeling tired. The stone volume of our heaters is significantly larger than other sauna heaters, which is the reason for the especially pleasant indoor climate with long and soft steam.

A moist steamy sauna, a sanarium, a therapeutic salt sauna, or a healthy aroma sauna – all of these functions are available on Saunum's devices to create a truly relaxing sauna experience. When using Himalayan salt balls in our device, salt ions that are beneficial to skin and respiratory tract evaporate and the steam circulates these into the air. Adding a sauna aroma system that blends steam and healthy aroma oil creates an even more enjoyable sauna environment.

Saunum's sauna devices are suitable for both adults and children.

Have a pleasant sauna!

Andrus Vare
The creator of Saunum



Saunum Saunas OÜ
congratulates you
on choosing an innovative
sauna climate unit!



TABLE OF CONTENTS

Safety information _____	10
INSTRUCTIONS FOR USE	
Instructions for use _____	14
Sauna climate control _____	14
Using the device _____	14
Instructions for using Himalayan salt balls _____	15
Warnings _____	16
Maintenance and repair _____	17
Warranty _____	18
INSTALLATION INSTRUCTIONS	
Installation _____	20
Dimensions of the Saunum AirSolo models _____	21
Saunum AirSolo model installation distances _____	22
Components of the Saunum AirSolo device _____	24
Saunum AirSolo model dimensions _____	24
Saunum AirSolo model installation distances _____	26
Electrical connections _____	30
Installation report _____	39



SAFETY INFORMATION

These installation and operating instructions are intended for the owner or maintenance provider of the sauna, as well as the electrician responsible for installing the sauna climate unit. After installing the sauna climate unit, the manual must be handed over to the owner or the maintenance provider. Before using Saunum AirSolo, or sauna climate unit, please read the installation and safety instructions.

The **Saunum AirSolo** sauna steam room climate unit manufactured by Saunum Saunas OÜ (hereinafter the Device) may not be taken into use before reading the installation and safety instructions!

The Device is designed for mixing layers of air in the steam room of the sauna and, harmonizing the temperatures of the indoor climate of the sauna and, as an added function, releasing salt ions into the indoor air from the Himalayan salt balls included in the set. The special ventilator in the Device generates air flow that harmonizes the upper and lower air layers of different temperatures in the heated sauna and makes the steam smooth and even.

NB! It is forbidden to use the sauna climate device with electrical heater and wood burning heater above allowed temperature. This may cause overheating and fire risk!

NB! This manual is intended only for home use saunas. Separate rules apply to public saunas, conditions have to be specified with the manufacturer.

NB! The manufacturer is not responsible for incorrect use of the sauna climate device!

NB! Do not use the Device for anything other than the intended purpose!

READ, SAVE AND FOLLOW ALL INSTRUCTIONS.



Make sure you do not have allergies and contraindications to a saline environment. Consult a doctor about medical contraindications.

Saunum Saunas OÜ will not be held liable for various side effects to the health of the user of the Device. Using Himalayan salt balls in the Device is an optional added function which may be left unused without any effect on the functioning of the Device in harmonizing the climate of the steam room.

In the case of any health concerns, the salt balls can be removed from the base tray and the Device can be used for only mixing the layers of air.

CAUTION! The sauna climate unit may only be activated for the duration of the steam bath. The sauna climate unit must be switched off when heating the sauna and during breaks between steam baths!

Do not pour water into the housing or ventilation openings of the Device or use the Device in a room where there

is water flowing on the floor or where flammable/explosive gases may leak into the air.

The Device may not be used if any housing components have been removed and/or the electrical wiring diagram has been altered.

WARNING! To reduce the risk of injury, do not permit children to use this product unless they are closely supervised at all times. Children must not be allowed access to the Device or to play with the Device.

The Device must be installed by a person who is qualified to perform electrical work. The Device must be connected to the power grid by using permanent wiring that is suitable for the ambient temperature conditions. The connecting terminals of the Device must be equipped with protective earthing (PE). The cross-sectional area of the wire must be at least 16 awg. The Device must be powered from a power circuit that is protected with overcurrent and residual-current devices. Supply voltage: 120 V / 0,31 A - 60 Hz.



WARNING TO REDUCE THE RISK OF FIRE, ELECTRIC SHOCK, OR INJURY TO PERSONS, OBSERVE THE FOLLOWING:

a) Installation work and electrical wiring must be done by qualified person (s) in accordance with all applicable codes and standards. Including fire-rated construction.

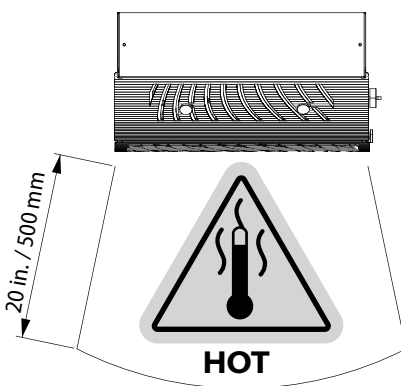
b) Use this unit only in the manner intended by the manufacturer, if you have questions, contact the manufacturer.

c) Before servicing or cleaning unit, switch power off at service panel and lock panel to prevent power from being switched on accidentally. When the service disconnecting means cannot be locked, securely fasten a prominent warning device, such as a tag, to the service panel.

CAUTION! The Device housing has sharp corners and edges against which you may injure yourself if you are not careful.

CAUTION! The sauna climate unit must be installed so that the exhaust opening is not directed towards the heater.

CAUTION! Sauna users must keep all body parts (feet, arms, legs, hands, etc.) at least 20 in. / 500 mm away from the fan during sauna session.



TRANSPORT AND STORAGE

The Device is packaged by the manufacturer in a way that ensures the preservation of the Device under normal transport conditions. The Device must not be dropped, tossed or stored under heavy goods. Store the Device in a dry room that is protected from weather effects.



INSTRUCTIONS FOR USE

The Device is designed for harmonizing the climate of the steam room during a steam session.

Before using the Device for the first time, check:

- compliance of the wiring with the requirements;
- compliance of the supply voltage with the rated voltage of the Device
- the condition of the protective earthing (PE);
- the mountings on the Device housing;
- the wall mountings of the Device;
- the condition / presence of overcurrent and residual-current protection devices;
- if the fan rotor can rotate freely;
- if all tools and residues of the materials used during installation are removed from the housing of the Device.

When starting the Device, check:

- the direction of air flow – air must be drawn from the upper and blown out from the lower opening;
- for abnormal vibration or noise when the fan is running;
- the lighting stability for LED equipped devices.

SAUNA CLIMATE CONTROL

The volume of air circulated by the Device can be regulated by a rotary switch located on the lower right side of the Device.

The switch has four positions and can be turned both clockwise and counter-clockwise. When the bar on the switch button points to the left, the Device's fan is turned off. Airflow speed increases by turning the switch clockwise, you can choose between three different speeds. (Except AirSolo Wall with external switch.)

To control the air temperature in the steam room, an air-cooling damper for steam is located on the bottom front panel of the Device (see Figures 1C and 2B). The recommended setting is to keep the cooling damper 1/3 open. To cool the steam, try opening the damper incrementally. Try using different fan speeds to find the perfect indoor climate for your sauna.

USING THE DEVICE

The Device is to be switched on immediately before entering the steam room and switched off immediately after leaving the steam room. The Device may not be switched on when heating the steam room or when there is no one in the steam room, as the operation of the Device will increase the temperature in the lower part of the



steam room and the bench and floor may become too hot.

To ensure long service life of the Device, make sure that the temperature in the steam room at the lower part of the Device does not exceed 176 °F. If this temperature is exceeded, the thermal protection will activate and the fan will stop; once the temperature falls below the activation level of the protection, the fan will be switched on again.

The manufacturer will not be held liable for equipment failures resulting from exceeding the permitted operating temperature.

If your Device is equipped with internal lights, the lights will activate at the same time as the fan (see the marking on the packaging of the Device) when the Device is switched on.

If your Device is wall-integrated and equipped with an external touch-sensitive switch for speed control, please keep in mind the following requirements:

- The external speed switch may only be installed outside the steam and washing room, e.g. the changing room, preferably next to the door, so that the Device can be conveniently switch on and off.
- The switch has three positions for selecting the desired airflow intensity. The Device can be switched on

and off by pressing and holding the touch-sensitive button of the desired speed.

- Touch the appropriate area to select speeds.
- If the Device is equipped with internal lighting, a separate switch (optional) must be used to switch it on.

INSTRUCTIONS FOR USING HIMALAYAN SALT BALLS

The sauna climate unit comes with Himalayan salt balls. The use of salt balls in the Device is optional and does not affect the basic function of the Device.

To use the salt balls, they must be placed in the base tray located between the air discharge grille and the fan. Make sure that the salt balls are placed correctly and do not impede the rotation of the fan.

To place or remove the salt balls (see Figures 1D and 2C), loosen the two fastening bolts on the discharge grille and lower the grille on its hinges. Do not use excessive force! After placing or removing the salt balls, shut the discharge grille and fasten it with two bolts.

The sauna climate unit may only be used if the grille is installed!



WARNINGS

- Remaining in the steam room for an extended period of time raises your body temperature, which can be dangerous to your health!
 - Do not allow children, disabled or ill persons in the steam room unattended!
 - Consult a doctor regarding medical contraindications to sauna bathing!
 - Consult your doctor regarding medical contraindications to salt treatment!
 - Make sure you are not allergic to salt treatment. Saunum is not responsible for the side effects of salt treatment!
 - Consult a pediatrician or family physician about allowing children to take a sauna bath!
 - Use caution when moving in the sauna and the steam room, as the bench and floor can be slippery!
 - Do not go to the sauna under the influence of alcohol, drugs, or narcotics!
 - Do not sleep in a hot steam room!
 - Sea air and humid climates may cause an oxide layer (rust) to form on the metal surfaces of the heater!
 - Make sure you have proper ventilation in the steam room. Saunum is not responsible for possible corrosion damage caused to the sauna equipment by salt. If necessary, consult a specialist!
 - Do not hang towels and clothes to dry in the steam room – this may cause a fire hazard!
 - Excessive moisture can damage electrical equipment!
 - Electrical components should not be exposed to water.
 - Maintenance, and installation, should be performed in a cool and dry environment.
- NB! Do not leave the fan of the sauna climate unit running when you are not in the steam room – doing so will result in excessive energy consumption and the bench may become too hot!**



MAINTENANCE AND REPAIR

CAUTION! Before servicing and cleaning the sauna climate unit, the power circuit of the Device must be disconnected from the power and utilities and the moving parts of the device must come to a complete stop.

Before servicing and cleaning the Device, make sure that:

- the Device has been disconnected from the power and utilities (switched off at the overcurrent protection device in addition to the power switch of the Device);
- the Device's fan has stopped completely;
- the required occupational safety and personal protective equipment is used when performing the works;
- the connecting cables are undamaged. If any damage to cables is detected, the cables must be replaced by a qualified electrician in accordance with the applicable standards and requirements before continuing maintenance and cleaning work.

The Device housing can be cleaned with a cloth dampened with water.

Do not use a pressure washer or running water to clean the Device! Do not use chemical cleaners or solvents to clean the Device!

Excessive dirt can cause imbalance of the fan rotor, which increase the noise level when the Device is operating. Damaged or bent fan blades may also increase the noise level. Make sure that no foreign objects enter the operating area of the fan rotor.

Generally, the fan does not need to be cleaned more than once a year. Only qualified persons may clean the fan.

Using compressed air to clean the fan may permanently damage the fan rotor!

Fan bearings are maintenance-free and must be replaced if malfunctions occur.

Make sure that there are no foreign objects in the air vents of the fan of the sauna climate unit. The Device is not meant to be cleaned by children.

If Himalayan salt balls are used with the sauna climate unit, it is recommended that the state of wear of the salt balls be checked once per year (see Figures 1D and 2C).

When the diameter of the balls has decreased by more than a half, the salt balls must be replaced. To replace the balls, remove the salt ball container from the Device and wash the container under running water to remove any salt residue. Install the container and place new salt balls in their slots.

In the event of any malfunctions involving the Device's fan and lighting, stop using the Device immediately and have it inspected by a qualified person.



GENERAL WARRANTY CONDITIONS FOR SAUNUM PRODUCTS

With the Saunum Equipment Warranty, Saunum guarantees that the product will be free from materials and manufacturing defects for a specified period after the date of purchase. In the event of a defect in the Device during the warranty period due to the use of low-quality materials or low quality of assembly, the recommended repair partners of Saunum will repair or replace the Device or its defective part without charging for labor and spare parts under the conditions presented below. Saunum reserves the right to decide whether to replace the defective product component or replace the Device with a new one. Replaced defective product components remain the property of Saunum.

Warranty conditions:

1. The warranty is only valid if a completed installation report is submitted with the claim;
2. A warranty period of two (2) years applies to the Device if it is used in a private sauna;
3. A warranty period of one (1) year

applies to the Device if it is used in a public sauna.

The warranty does not cover:

1. Routine maintenance and cleaning of the Device, and replacing components due to normal wear and tear;
2. Adapting or modifying the Device to use it for purposes other than those stated in the operating instructions;
3. Risks associated with transport;
4. Damage caused by misusing the Device;
5. Damage caused by improper installation of the Device;
6. Repairs performed by a party other than a recommended repair partner (maintenance partner) of Saunum;
7. Accidents, lightning, water, fire, improper ventilation or any other factor beyond the control of Saunum;
8. Faults caused by the use of salt balls not recommended by Saunum;
9. Salt balls.



The list of installation and maintenance technicians recommended by Saunum Saunas OÜ is available on the website of Saunum Saunas OÜ at www.saunum.com or by contacting info@saunum.com.

The maintenance instructions for the device are given in the user manual of the Device.

NB! The sauna climate unit may only be connected to the power and utilities by a professional electrician in accordance with the applicable regulations.

Read the entire user guide carefully and thoroughly before using the Device and keep it in a safe and easily accessible place for future reference.



INSTALLATION

NB! Read the Safety Information before beginning installation (see pp 6-7)!

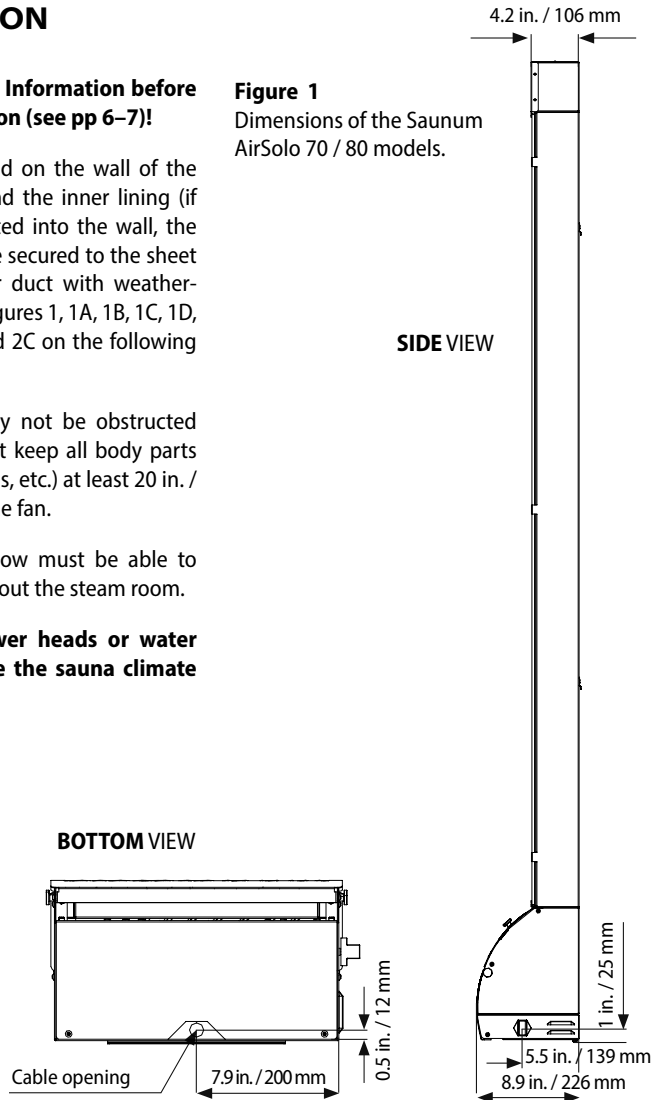
The Device is installed on the wall of the steam room or behind the inner lining (if the device is integrated into the wall, the lining boards must be secured to the sheet metal face of the air duct with weather-board clamps) (see Figures 1, 1A, 1B, 1C, 1D, 1E and 2, 2A, 2B, and 2C on the following pages).

The air outlet of may not be obstructed and sauna users must keep all body parts (feet, arms, legs, hands, etc.) at least 20 in. / 500 mm away from the fan.

The discharged air flow must be able to spread freely throughout the steam room.

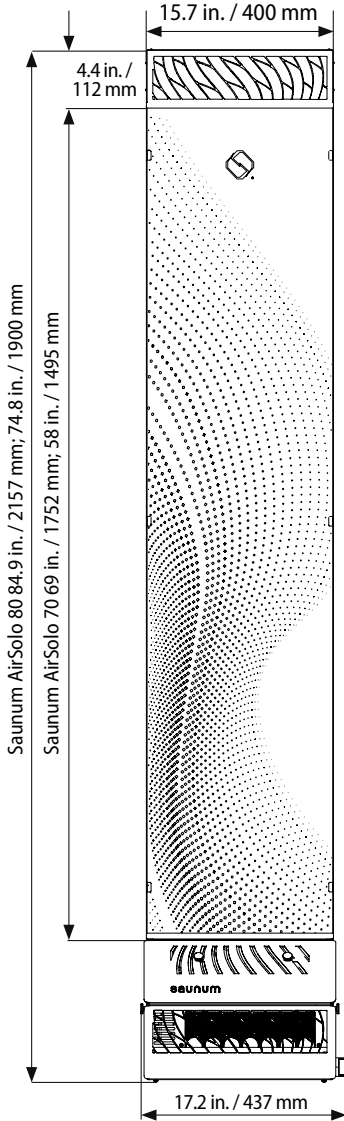
Do not install shower heads or water spray devices above the sauna climate unit!

Figure 1
Dimensions of the Saunum AirSolo 70 / 80 models.





FRONT VIEW



REAR VIEW

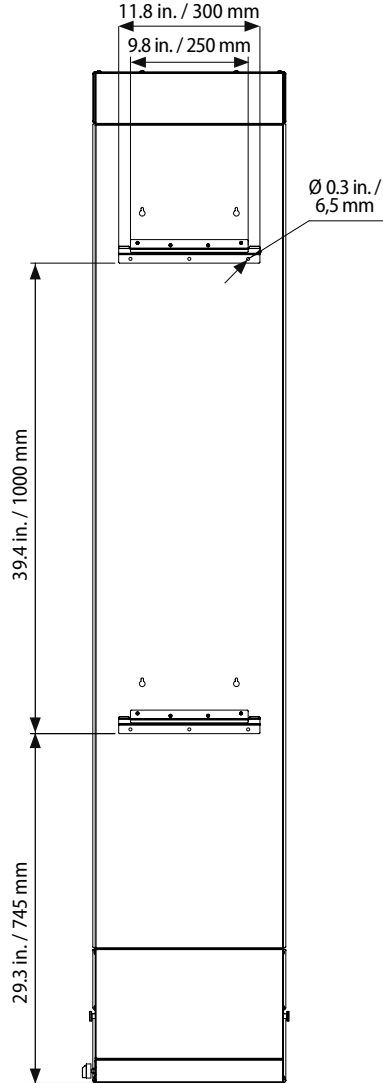




Figure 1A – Saunum AirSolo 70 / 80 model installation distances.

DEVICE INTEGRATED IN THE WALL RECESS

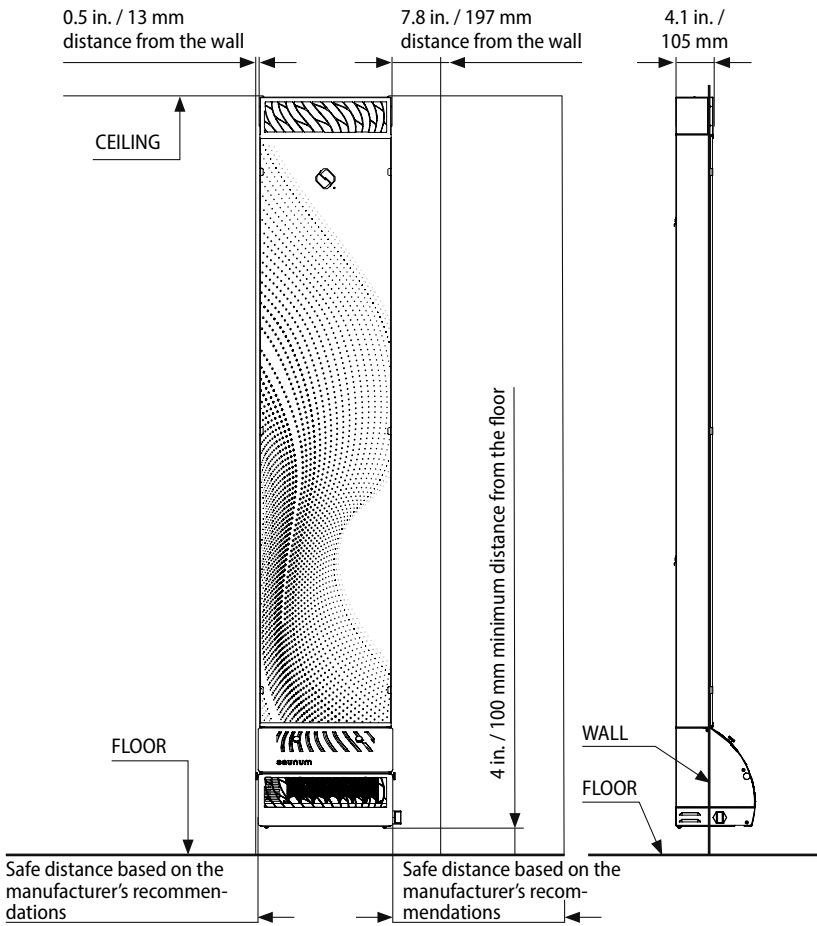




Figure 1B – Saunum AirSolo 70 / 80 model installation distances.

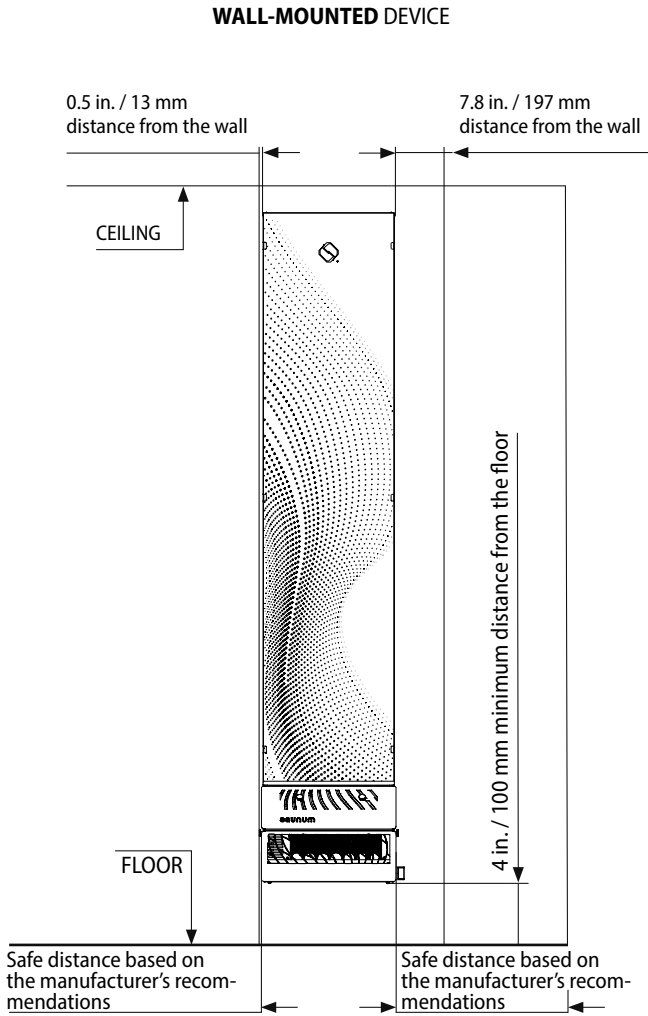
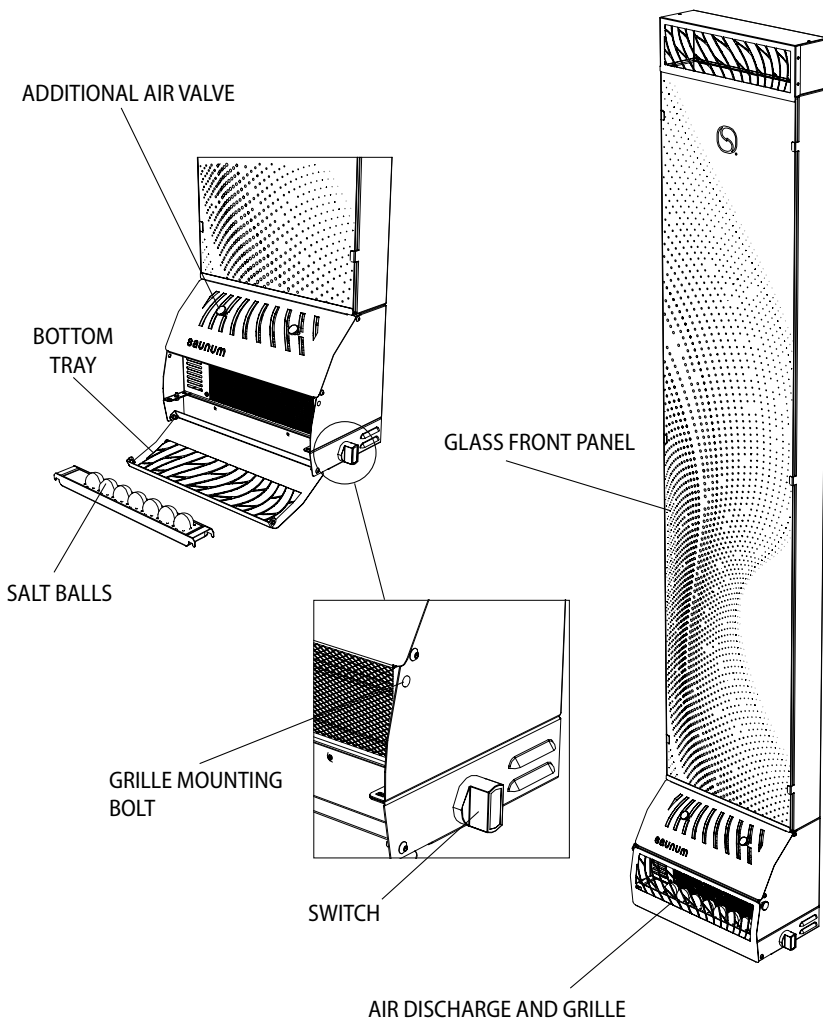




Figure 1C – Components of the Saunum AirSolo 70 / 80 device.





The Device works most efficiently when the edge of the upper airing vent opening is adjacent to the ceiling of the steam room (model with a protective grille). If the Device is not equipped with a protective grille, the Device should be installed so that the upper edge remains 3–4 in. / 80–100 mm below the ceiling. The lower edge may not be closer than 4 in. / 100 mm. to the floor to prevent the water on the floor from coming into contact with the electrical wiring of the Device.

The Device is designed for wall mounting using the hanging strips included in the set. The wall in the installation spot must be able to carry the weight of at least 77 lb / 35 kg and allow the supplied hanging strips to be fastened with screws. The hanging strips are attached to the wall of the steam room, each with at least two screws. The Device is then lifted onto the wall so that both the upper and lower strips slide between the strips attached to the back of the Device.

Figure 1D – Saunum AirSolo 70 / 80 model installation.

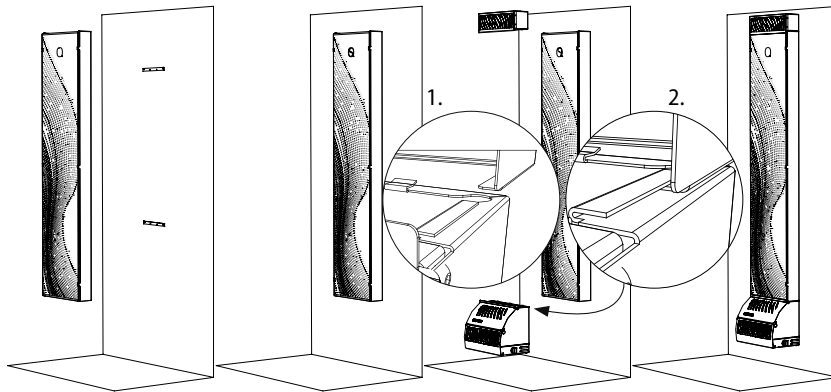
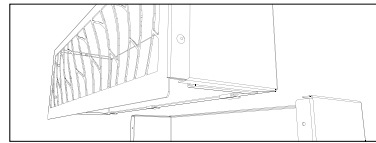
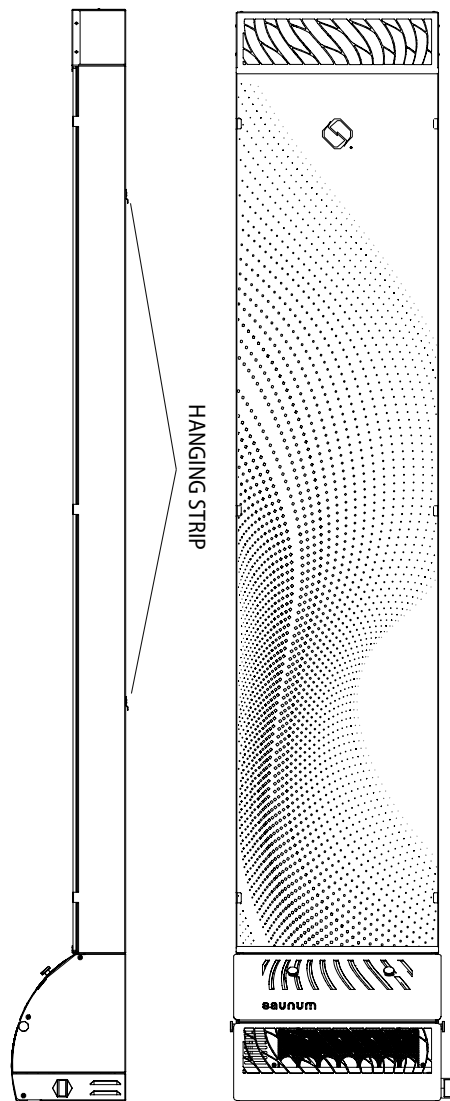
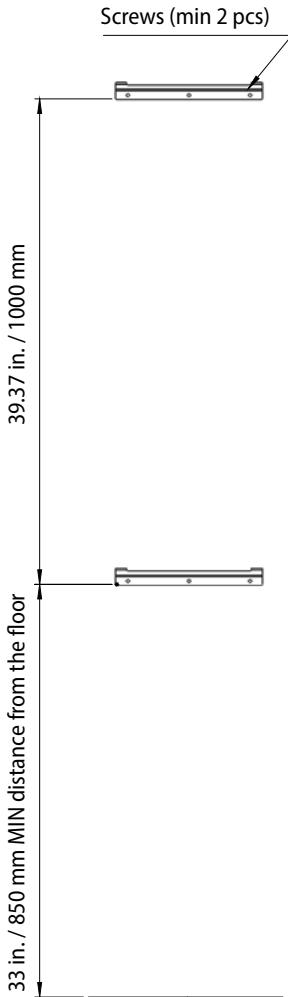




Figure 1E – Recommended installation of the Saunum AirSolo 70 / 80 model using a hanging strip.

1. Install the strips supplied with the Device on the wall. Use anchors if necessary.
2. Hang the Device on the wall-mounted strips. Make sure that the eyelets on the back of the Device rest equally on both slats. (If necessary, use a spirit level to ensure that the Device is level.)
3. **Check the Device for any external damage. It is forbidden to use a damaged Device!**





4. Install the salt balls. The salt balls are placed in the Device after it has been mounted on the wall. To install the balls, open the lower grille by removing the two hand-turned bolts. Place the balls in their slots on the tray.

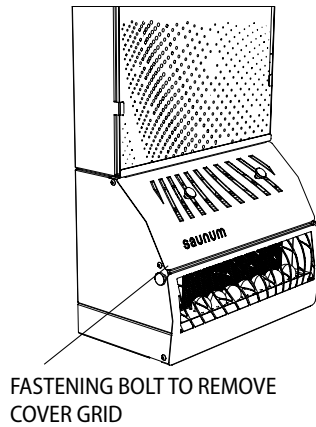
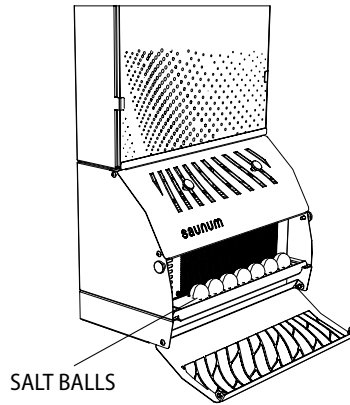
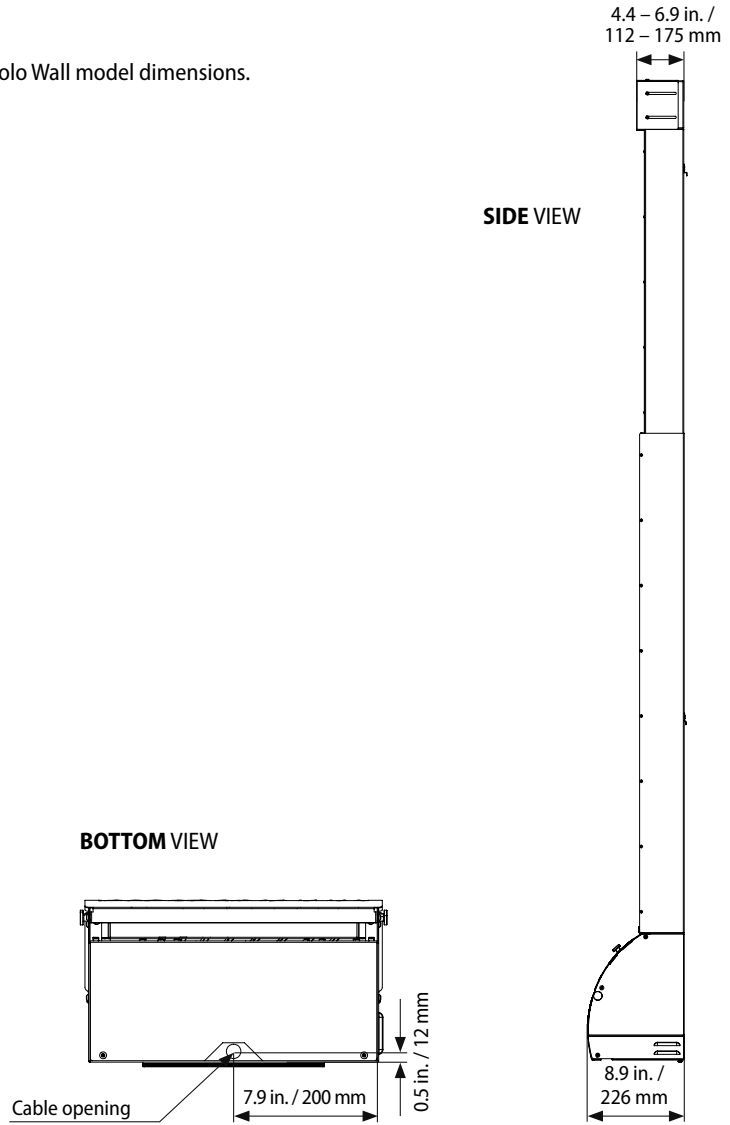


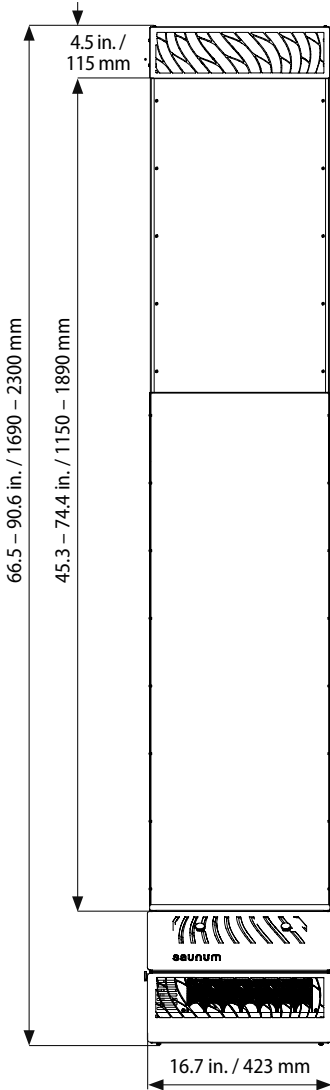


Figure 2
Saunum AirSolo Wall model dimensions.





FRONT VIEW



REAR VIEW

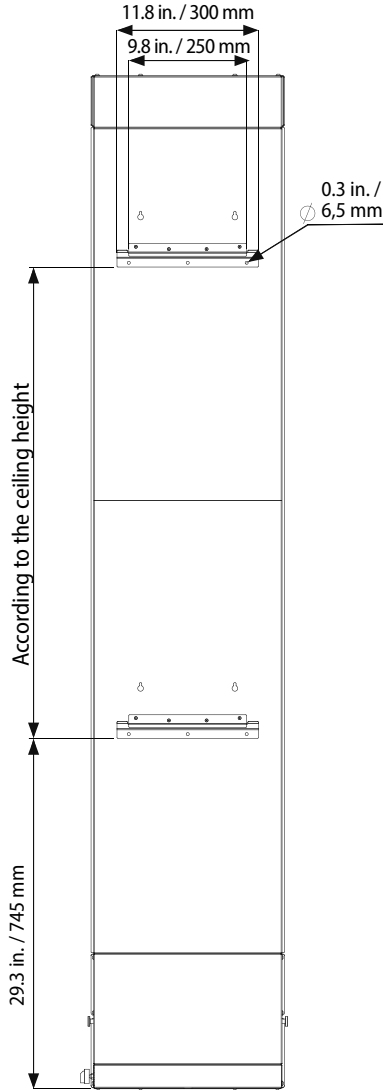




Figure 2A – Saunum AirSolo Wall model installation distances.

DEVICE WALL MOUNTED INSIDE OF WALL

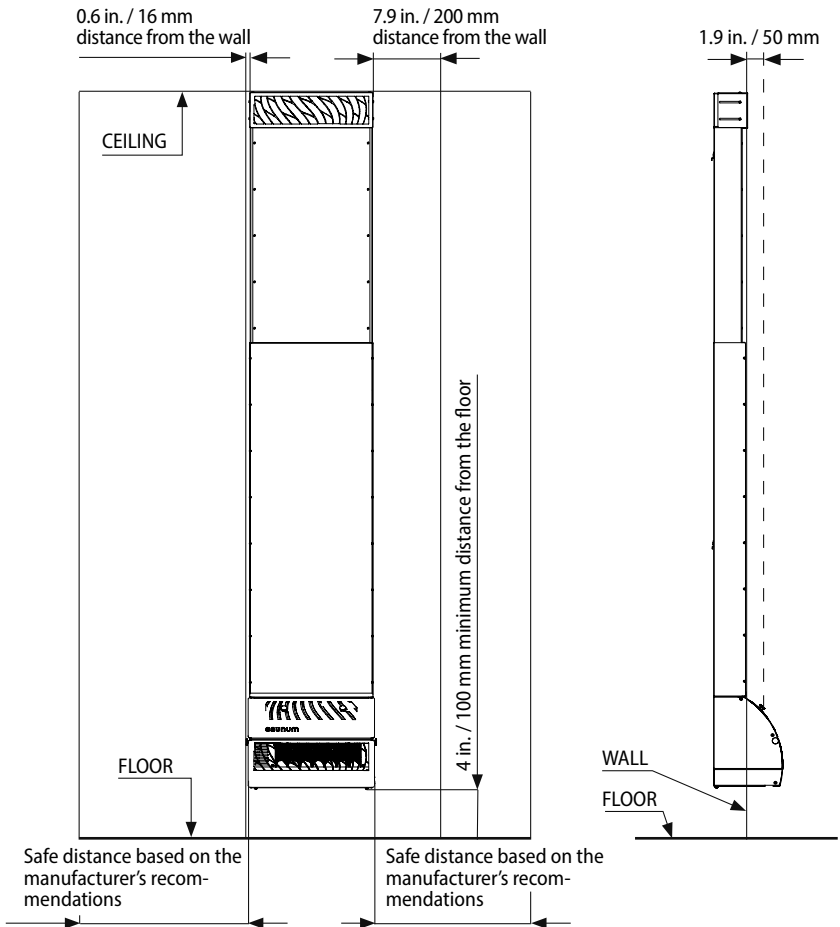




Figure 2B – Components of the Saunum AirSolo Wall model device.

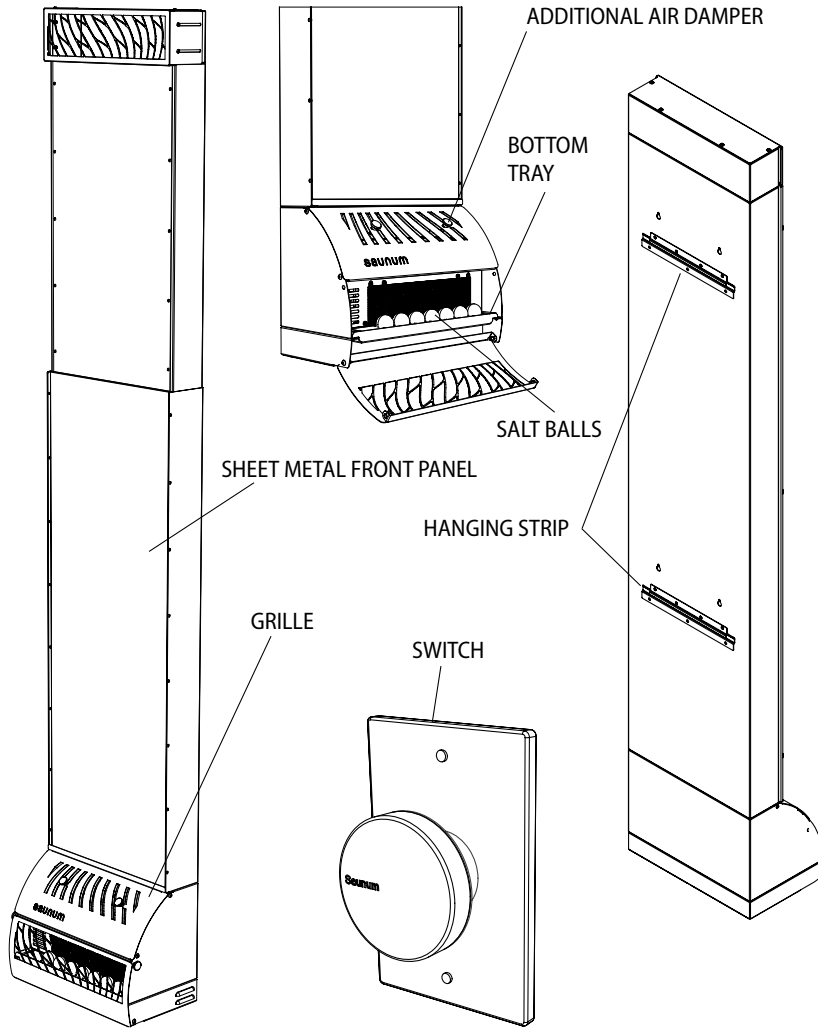
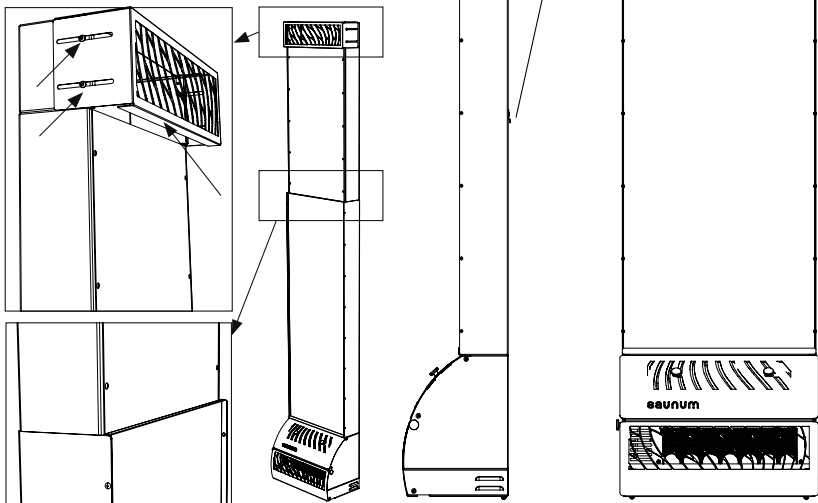
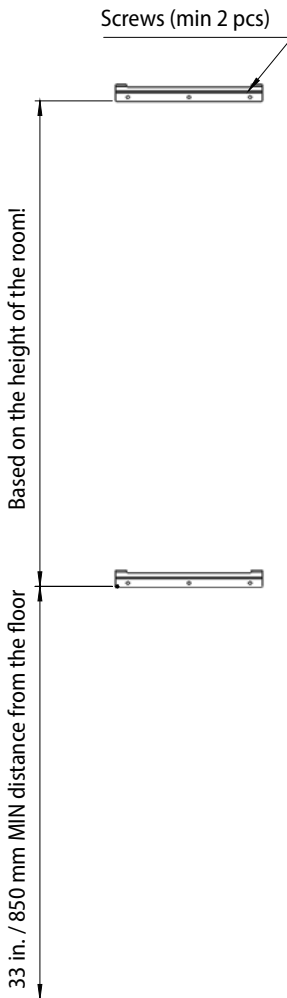




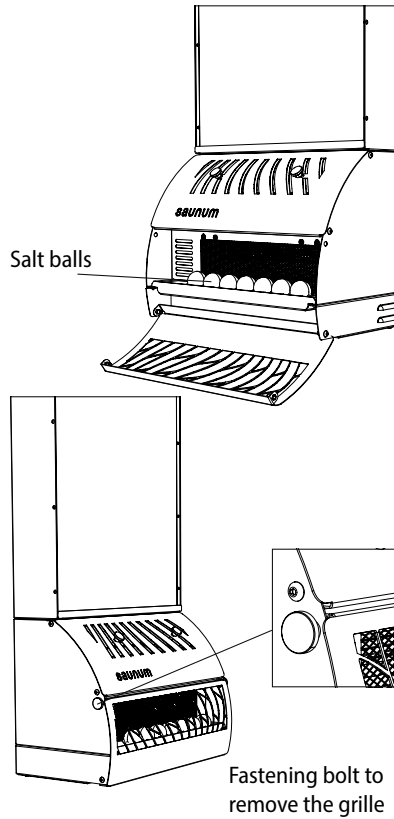
Figure 2C – Recommended installation of the Saunum AirSolo Wall model using a hanging strip.

1. Install the strips supplied with the Device on the wall. Use anchors if necessary.
2. Hang the Device on the wall-mounted strips. Make sure that the eyelets on the back of the Device rest equally on both slats. (If necessary, use a spirit level to ensure that the Device is level.)
3. **Check the Device for any external damage. It is forbidden to use a damaged Device!**
4. Before using the Device, cover all uncovered openings using the specified aluminum tape to do so.





- Place the salt balls. The salt balls are placed in the Device after it has been mounted on the wall. To place the balls, open the lower grille by removing the two hand-turned bolts. Place the balls in their slots on the tray.





ELECTRICAL CONNECTIONS

ATTENTION! The Device must be installed by a person who is qualified to perform electrical work, in accordance with the applicable standards and requirements.

The Device must be permanently connected to the power grid using a screw terminal and a cable that is suitable for the temperature conditions in compliance with the electrical connection diagrams presented in this manual (Figures 3, 3A, 4, 5 and 6 on the following pages).

The outer diameter of the cable must not exceed 0.4 in. The connection terminal of the Device must be equipped with protective earthing (PE) with a minimum cross-sectional area of the wire being 16 awg. The Device must be powered by a 120 VAC / 0,31 A 60 Hz supply circuit which is protected with a 1A overcurrent protection device, and the supply circuit of the Device must also be equipped with a residual current device to ensure the safety of people in the steam room.

The lighting of the Device must be connected to either an external or internal switch. The power circuit for the external light switch must also be equipped with residual-current and overcurrent protection devices.

The lighting and fan circuits of the Device are connected to external switches, the

supply circuits of which are equipped with residual-current and overcurrent protection devices. The power cable must enter the Device housing vertically from below to prevent water from entering the Device along the cable. The external insulation layer of the cable may only be peeled off in the section which remains inside the housing of the Device.

The wiring diagram only applies to an illuminated Device with an external switch!

NB! Perform the wiring in accordance with the instructions provided for in the wiring diagram of the Device.

NB! The circuit must include residual-current and overcurrent protection devices!

NB! Only connect via residual-current and overcurrent protection devices!

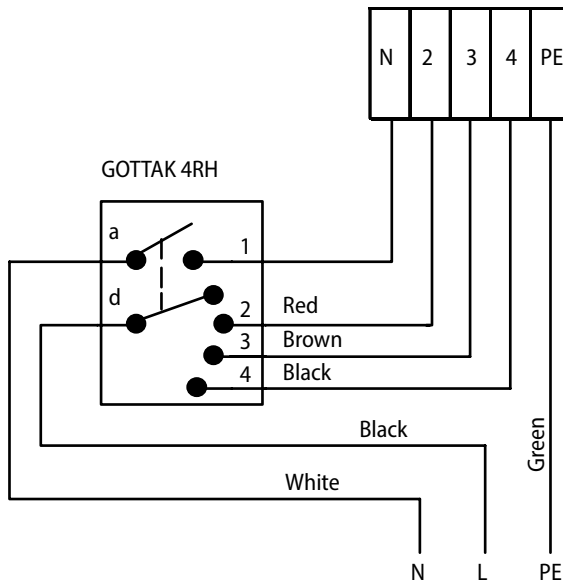
The power cable being used must be designed for stationary electrical installations and compliant with the requirements for the electrical installation installed in the steam room. The cross-section of the power cable must be 16–14 AWG.

Insert the power cable through the hole in the bottom of the Device, in accordance with the installation instructions.

The power cable must not be left lying on the floor of the steam room.



Figure 4 – Connecting the power cable to a Device equipped with an external fan speed switch.



NB! The circuit must include residual-current device and overcurrent protection devices!

Fan power supply. NB! The circuit must include residual-current and overcurrent protection devices!

NB! Perform the wiring in accordance with the instructions provided for in the wiring diagram of the Device.



Figure 5 – Wiring diagram and electrical component board.

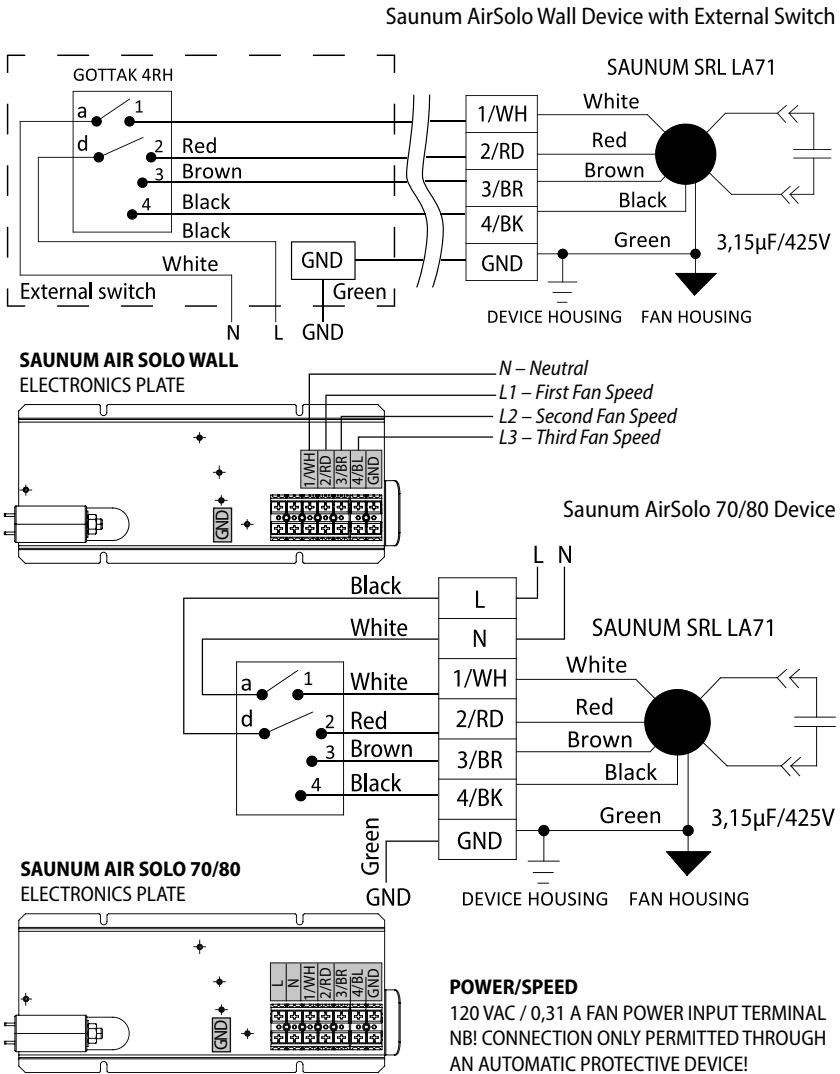
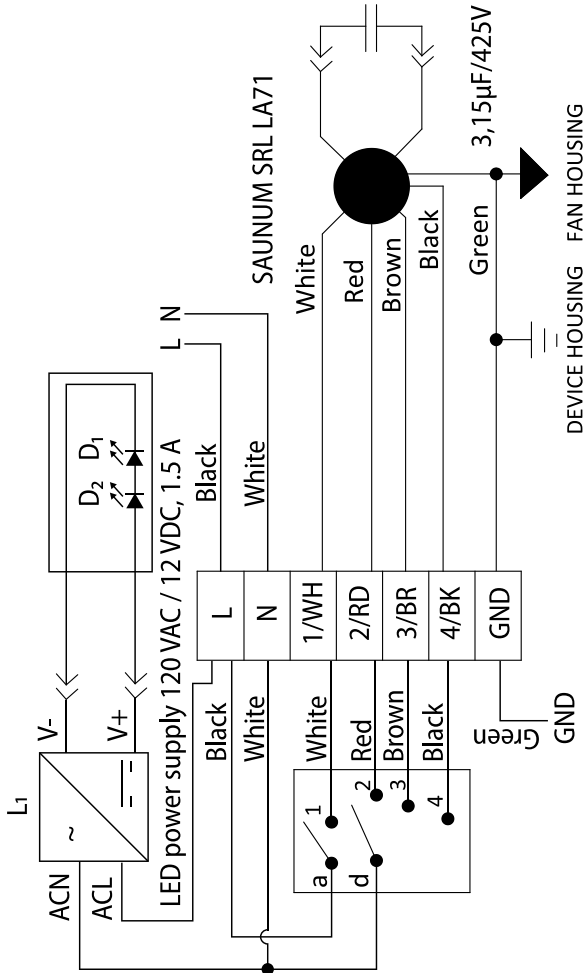




Figure 6 – Wiring diagram: Device, equipped with illumination and a switch.



POWER/SPEED
 120 VAC / 0,31 A FAN POWER INPUT TERMINAL
 NBI ONLY CONNECT THROUGH AN AUTOMATIC
 PROTECTIVE DEVICE!

POWER SUPPLY FOR THE LIGHTS 120 VAC / 0,31 A





INSTALLATION REPORT

Purchase date: _____

Heater type: _____

Sticker / serial number:

Place of installation: _____

Date of installation: _____

Installed by: _____

Checked: _____

Date, signature: _____

Description of work performed: _____

All details are available for installation _____

No color defects or dents _____

Mounted on the wall or floor according to the instructions _____

The electrical connections have been made in accordance with the installation instructions _____

The three stages of the fan are running / in the correct order _____

NOTES: _____

Customer contact (name, e-mail): _____

Work accepted: _____

Warranty start date: _____

TO BE COMPLETED BY THE CUSTOMER

ENG

INSTRUCTIONS FOR USE AND **INSTALLATION**



Manufacturer: Saunum Saunas OÜ

Address: Suur-Paala 19

11415 Tallinn, Estonia

certifies that the product:

Indoor climate unit in the sauna sauna room

complies with the requirements:

UL 875, Electric Dry-Bath Heaters, Edition 9, Revision Date 01/04/2021;

CSA C22.2 No. 164, Electric Sauna Heating Equipment, Edition 2,

Issue Date 02/2018.

These products do not contain hazardous substances in excess of 0.1% (SVHC) and meet the requirements of the REACH Regulation (1907/2006/EU REACH XVII) and comply with the requirements of the RoHS Directive (2011/65/EU, RoHS2 and 2015/863/EU, RoHS3)



saunum

Régulateur de sauna
Saunum AirSolo

FRE

INSTRUCTIONS D'UTILISATION ET D'INSTALLATION



LA MEILLEURE EXPÉRIENCE DE SAUNA POSSIBLE!



***J**e suis très heureux que vous ayez investi dans l'achat d'un dispositif Saunum, et je suis certain que notre technologie innovante vous apportera une expérience de sauna unique et inoubliable.*

Je suis un ingénieur thermicien diplômé originaire du sud de l'Estonie : c'est là qu'est né mon amour du sauna. Ce qui rend uniques les traditionnels saunas à fumée de cette région, c'est leur température plus basse et leur humidité plus grande que, par exemple, dans un sauna finlandais classique. Dans un sauna ordinaire, le volume de pierres dans le poêle est généralement assez réduit. Cela peut causer des dégagements brutaux de vapeur brûlante et une température inégale, très élevée au niveau de la tête et des épaules, tandis que les pieds ont froid. Ce type d'expérience peut être désagréable, causer des migraines et provoquer un stress. En revanche, dans les anciens saunas à fumée, comme dans ceux des Indiens d'Amérique, les pierres étaient tout d'abord chauffées pendant la journée. Ensuite, la chaleur emmagasinée dans les pierres était utilisée pour nettoyer le corps et procurer une expérience agréable.

Inspiré par l'expérience du sauna à fumée, j'ai voulu créer une solution innovante mêlant les meilleurs côtés du sauna traditionnel et la technologie moderne, pour offrir un sauna doux et relaxant, sans le stress d'une vapeur brûlante. Pour cela, il m'a tout d'abord fallu parvenir à uniformiser la température au niveau de la tête et des pieds. Dans mon travail de développement, j'ai profité de recherches menées parallèlement à l'Université technologique de Tallinn, dans lesquelles nous avons analysé la stratification thermique et les mouvements d'air dans le sauna. Saunum est né de la collaboration entre la réflexion scientifique et l'innovation technique.



Le système unique et breveté de brassage des couches d'air de Saunum capte la vapeur chaude qui s'accumule sous le plafond du sauna, la mélange avec l'air plus frais présent au niveau du sol, et renvoie une vapeur plus tempérée et homogène. Ceci procure une chaleur agréable et non agressive. Vous pouvez passer plus de temps dans le sauna, profiter d'une bonne suee et d'un nettoyage en profondeur sans ressentir de fatigue. Le volume de pierres de nos éléments chauffants est nettement plus important que dans les autres éléments chauffants de sauna, ce qui explique le climat particulièrement agréable de nos saunas, avec une vapeur longue et douce.

Un sauna moite et vaporeux, un sauna thérapeutique au sel ou un sauna aromatique et sain – toutes ces fonctions sont disponibles avec les dispositifs Saunum, pour un sauna réellement reposant. Lorsque vous utilisez des boules de sel de l'Himalaya avec nos dispositifs, les ions salins bénéfiques pour la peau et les bronches s'échappent et sont diffusés dans l'air par la vapeur. L'ajout d'un système aromatique qui mélange la vapeur et des huiles aromatiques aux vertus thérapeutiques procure un sauna encore plus agréable.

Les dispositifs de sauna Saunum conviennent aux adultes comme aux enfants.

Bon sauna!

Andrus Vare
Créateur de Saunum



Saunum Saunas OÜ
vous félicite
pour votre choix d'un
dispositif de sauna innovant!



TABLE DES **MATIÈRES**

Informations de sécurité _____	46
INSTRUCTIONS D'UTILISATION	
Instructions d'utilisation _____	50
Réglage du régulateur pour sauna _____	50
Utilisation du dispositif _____	50
Instructions d'utilisation des boules de sel de l'Himalaya _____	51
Avertissements _____	52
Entretien et réparation _____	53
Garantie _____	54
INSTRUCTIONS D'INSTALLATION	
Installation _____	56
Dimensions des modèles Saunum AirSolo _____	57
Distances d'installation du modèle Saunum AirSolo _____	58
Composants de l'appareil Saunum AirSolo _____	60
Dimensions du modèle Saunum AirSolo _____	64
Distances d'installation du modèle Saunum AirSolo _____	65
Branchements électriques _____	70
Rapport d'installation _____	75



INFORMATIONS DE SÉCURITÉ

Ces instructions d'installation et d'utilisation sont destinées au propriétaire ou au responsable de l'entretien du sauna, ainsi qu'à l'électricien responsable de l'installation du régulateur pour sauna. Après l'installation du dispositif, ces instructions doivent être remises au propriétaire ou au responsable de l'entretien. Avant d'utiliser le régulateur Saunum AirSolo, veuillez lire les instructions d'installation et de sécurité.

Le régulateur pour sauna **Saunum AirSolo** (ci-après dénommé « le dispositif ») de Saunum Saunas OÜ ne doit pas être mis en service avant que vous n'ayez lu les instructions d'installation et de sécurité!

Le dispositif est conçu pour mélanger les couches d'air dans le sauna et harmoniser la température à l'intérieur du sauna et, comme fonction supplémentaire, pour libérer des ions de sel dans l'air intérieur à partir des boules de sel de l'Himalaya incluses dans l'ensemble. Un ventilateur spécial à l'intérieur du dispositif crée un flux d'air qui, en se mélangeant, harmonise les couches d'air supérieures et inférieures à des températures différentes dans le sauna et rend la vapeur douce et uniforme.

N. B.! Il est interdit d'utiliser le régulateur pour sauna avec des éléments électriques ou des poêles à bois au-delà des températures autorisées. Une telle utilisation présente un risque de surchauffe et d'incendie!

N. B.! Ce manuel n'est destiné qu'aux saunas privés. Des règles distinctes s'appliquent aux saunas publics, les conditions d'utilisation devant être spécifiées au fabricant.

N. B.! Le fabricant ne peut être tenu pour responsable en cas d'utilisation incorrecte du régulateur pour sauna.

N. B.! L'utilisation du dispositif à d'autres fins est interdite!

VEUILLEZ LIRE, SAUVEGARDER ET SUIVRE TOUTES LES INSTRUCTIONS.

Assurez-vous de ne pas avoir d'allergies ou qu'il n'y a pas de contre-indications à un environnement salin. En cas de contre-indications médicales, consultez un médecin.



Saunum Saunas OÜ n'est pas responsable des divers effets secondaires sur la santé de l'utilisateur du dispositif. L'utilisation de boules de sel de l'Himalaya dans le dispositif est facultative et n'affecte pas les performances du dispositif en matière d'harmonisation du climat du sauna.

En cas de la moindre inquiétude pour la santé, les boules de sel peuvent être retirées du bac et le dispositif peut être utilisé uniquement pour mélanger les couches d'air.

ATTENTION! Le régulateur ne peut être mis en marche que lorsque le sauna est utilisé. Il doit être éteint lorsque le sauna est chauffé et pendant les intervalles entre les séances de sauna!

Ne versez pas d'eau sur le boîtier ou dans les ouvertures de ventilation du dispositif, et n'utilisez pas le dispositif dans des pièces où de l'eau coule sur le sol ou dans lesquelles il y a un risque de fuite de gaz inflammables/explosifs dans l'air.

Le dispositif ne doit pas être utilisé si des parties de son boîtier ont été enlevées et/ou si le schéma de câblage a été modifié.

ATTENTION! Afin de réduire le risque de blessures, n'autorisez pas les enfants à utiliser le produit, à moins qu'ils soient sous surveillance à tout instant. Les enfants ne doivent pas être autorisés à accéder ou à jouer avec le dispositif.

L'installation du dispositif doit être effectuée par un électricien qualifié. Le dispositif doit être connecté en permanence avec un câble adapté aux conditions de température de l'environnement. Les bornes de raccordement doivent être connectées à une protection de mise à la terre (PE). Le câble doit être d'au moins 16 AWG. Le dispositif doit être alimenté par un circuit d'alimentation protégé par des fusibles de surintensité et un interrupteur à courant différentiel. Tension d'alimentation : 120 V / 0,31 A – 60 Hz.



AFIN DE RÉDUIRE LES RISQUES D'INCENDIE, DE DÉCHARGE ÉLECTRIQUE OU DE BLESSURES AUX PERSONNES, VEUILLEZ SUIVRE LES INSTRUCTIONS SUIVANTES :

a) Les travaux d'installation et de branchements électriques doivent être effectués par une personne qualifiée dans le respect des règles et des normes. Ceci inclut une construction résistante au feu.

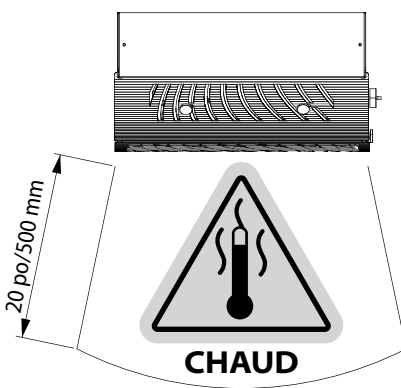
b) N'utilisez le dispositif uniquement aux fins prévues par le fabricant. En cas de questions, veuillez contacter le fabricant.

c) Avant de procéder à l'entretien et au nettoyage du dispositif, déconnectez le dispositif du réseau électrique et fermez le panneau à clé afin d'éviter l'allumage de l'alimentation par accident. Si le système de déconnexion ne peut pas être fermé à clé, affichez l'information alertant de l'intervention de manière visible et sécurisée, par exemple avec une étiquette.

ATTENTION! Le boîtier du dispositif comporte des coins et des bords tranchants qui pourraient causer des blessures en cas de contact accidentel.

ATTENTION! Le dispositif doit être installé de manière que la sortie de l'air ne soit pas orientée vers l'élément chauffant.

ATTENTION! Les utilisateurs du sauna doivent toute partie du corps (pieds, bras, jambes, mains...) à au moins 20 po/500 mm du ventilateur lors d'une séance de sauna.



TRANSPORT ET STOCKAGE

Le dispositif est emballé par le fabricant de manière à assurer la conservation du dispositif dans des conditions normales de transport. Évitez de faire tomber le dispositif et de le ranger sous des objets lourds. Stockez le dispositif dans une pièce sèche et protégée des intempéries.





INSTRUCTIONS D'UTILISATION

Le dispositif est conçu pour harmoniser la vapeur durant une séance de sauna.

Avant d'utiliser le dispositif pour la première fois, vérifiez :

- la conformité du câblage en fonction des exigences;
- la conformité de la puissance d'alimentation à la tension nominale;
- l'état de la mise à la terre;
- les fixations du boîtier du dispositif;
- les fixations au mur du dispositif;
- l'état et la présence de fusibles de surintensité et d'un interrupteur à courant différentiel;
- si les pales du ventilateur fonctionnent sans entrave;
- si tous les outils et les résidus des matériaux utilisés au cours de l'installation ont été retirés du boîtier du dispositif.

Lors de la mise en route du dispositif, vérifiez :

- la direction du flux d'air – prise d'air par l'ouverture supérieure et restitution par l'ouverture inférieure;
- l'absence de vibrations ou de bruit excessif lorsque le ventilateur fonctionne;
- la stabilité lumineuse des appareils dotés de DEL.

RÉGLAGE DU RÉGULATEUR POUR SAUNA

La circulation d'air provoquée par le dispositif est réglée au moyen d'un interrupteur rotatif situé au bas du côté droit du dispositif.

Cet interrupteur a quatre positions et peut être tourné dans le sens des aiguilles d'une montre ou dans le sens inverse. Lorsque le trait situé sur l'interrupteur pointe vers la gauche, le ventilateur du dispositif est à l'arrêt. La vitesse du flux d'air augmente en tournant l'interrupteur dans le sens des aiguilles d'une montre, avec un choix de trois vitesses différentes. (Exception faite d'AirSolo Wall équipé d'un interrupteur externe.)

Pour régler la température de l'air dans le sauna, il y a un refroidisseur d'air sur le panneau avant, en bas (voir Figures 1C et 2B). Le réglage recommandé est de tenir le refroidisseur ouvert au tiers. Pour baisser la température de la vapeur, ouvrez progressivement le refroidisseur. Essayez différentes vitesses de rotation du ventilateur afin de trouver la température idéale pour votre sauna.

UTILISATION DU DISPOSITIF

Le dispositif doit être mis en marche juste avant d'entrer dans le sauna et aussitôt



après l'avoir quitté. Ne laissez pas le dispositif allumé pendant le chauffage du sauna, car le fonctionnement continu du dispositif augmente la température de la partie inférieure du sauna et peut entraîner une surchauffe du banc et du sol.

Afin d'assurer la longévité du dispositif, il faut s'assurer que la température dans le sauna à la hauteur de la partie inférieure du dispositif ne dépasse pas 176 °C. Si cette valeur est dépassée, la protection thermique se déclenche et le ventilateur s'arrêtera; il redémarrera dès que la température redescendra en dessous de la limite de protection.

Le fabricant n'est pas responsable de la défaillance du dispositif causée par le dépassement de la température d'utilisation autorisée.

Si votre dispositif est équipé d'un éclairage interne, lorsque le dispositif est allumé, l'éclairage du dispositif démarrera en même temps que le ventilateur (voir le marquage sur l'emballage du dispositif).

Si votre dispositif est intégré dans le mur et est équipé d'un interrupteur externe à écran tactile pour le contrôle de la vitesse, tenez compte des exigences suivantes :

- L'interrupteur externe de vitesse ne peut être installé qu'à l'extérieur du sauna et des toilettes, par exemple dans le vestiaire, de préférence près de la porte, afin de pouvoir l'allumer et l'éteindre facilement.

- L'interrupteur a trois positions pour sélectionner l'intensité du flux d'air souhaitée. Le dispositif peut être allumé et éteint en appuyant sur l'interrupteur de l'écran tactile de la vitesse souhaitée.
- Pour sélectionner les vitesses, appuyez sur la zone correspondante.
- Si le dispositif est équipé d'un éclairage interne, un interrupteur séparé (en option) doit être utilisé pour l'allumer.

INSTRUCTIONS D'UTILISATION DE BOULES DE SEL DE L'HIMALAYA

Des boules de sel de l'Himalaya sont fournies avec le régulateur pour sauna. L'utilisation de boules de sel dans le dispositif est facultative et n'affecte pas la fonction principale du dispositif.

Pour utiliser les boules de sel, il faut les installer dans les cavités situées entre la grille de sortie de l'air et le ventilateur. Assurez-vous que les boules de sel sont installées correctement et qu'elles n'entravent pas la rotation du ventilateur.

Pour installer ou retirer les boules de sel (voir Figures 1D et 2C), ouvrez les deux vis de fixation de la grille de sortie de l'air et tournez la grille vers le bas sur ses charnières. N'utilisez pas de force excessive!



Après avoir installé ou retiré les boules de sel, fermez l'ouverture de sortie de l'air et fixez-la à nouveau avec les deux vis.

Le régulateur pour sauna ne peut être utilisé qu'avec la grille!

MISES EN GARDE

- Rester dans le sauna pendant de longues périodes fait augmenter la température du corps, ce qui peut être dangereux pour la santé!
- Ne laissez pas les enfants, les personnes infirmes ou malades entrer dans le sauna sans surveillance!
- Consultez un médecin sur les éventuelles contre-indications médicales à la vapeur!
- Consultez un médecin sur les éventuelles contre-indications médicales à la thérapie par le sel!
- Assurez-vous de ne pas être allergique à une thérapie par le sel. Saunum n'est pas responsable des effets secondaires de la thérapie par le sel!
- Consultez un pédiatre (médecin de famille) en ce qui concerne la présence d'enfants dans le sauna!
- Faites attention lorsque vous vous déplacez dans le sauna, car le banc et le sol peuvent être glissants!
- N'entrez pas dans le sauna sous l'influence de l'alcool, de médicaments ou de drogues!
- Ne dormez pas dans un sauna chaud!
- L'air marin et les climats humides peuvent provoquer une couche d'oxyde (rouille) sur les surfaces métalliques de l'élément chauffant!
- Assurez-vous d'avoir une bonne ventilation dans le sauna. Saunum n'est pas responsable de la corrosion éventuelle des équipements causée par le sel. Si nécessaire, consultez un spécialiste!
- Ne mettez pas de serviettes et de vêtements à sécher dans le sauna – cela présente un risque d'incendie!
- Une humidité excessive peut endommager l'installation électrique!
- Les composants électriques ne doivent pas être exposés à l'eau.
- L'entretien et l'installation doivent s'effectuer à température ambiante et au sec.

N. B.! Ne laissez pas le ventilateur du régulateur pour sauna en marche lorsque vous n'êtes pas dans la salle de sauna – cela entraînerait une consommation d'énergie excessive et une surchauffe du banc du sauna!



ENTRETIEN ET RÉPARATION

ATTENTION! Avant de procéder à l'entretien et au nettoyage du dispositif, déconnectez le dispositif du réseau électrique et attendez l'arrêt complet des pièces mobiles du dispositif.

Avant de procéder à l'entretien et au nettoyage du dispositif, assurez-vous que :

- le dispositif est déconnecté du réseau électrique (non seulement au moyen de l'interrupteur d'alimentation du dispositif, mais aussi au moyen des fusibles de surintensité);
- le ventilateur du dispositif est complètement arrêté;
- les travaux sont effectués en utilisant les équipements de sécurité et de protection individuelle prescrits;
- les câbles de connexion ne sont pas endommagés. En cas d'endommagement des câbles de connexion, les câbles doivent être remplacés par un électricien qualifié conformément aux normes et aux exigences applicables avant de procéder aux travaux d'entretien et de nettoyage.

Le boîtier du dispositif peut être nettoyé avec un chiffon humidifié à l'eau.

N'utilisez pas de nettoyeurs à haute pression et d'eau courante pour le nettoyage! N'utilisez pas de produits de nettoyage chimiques ou de solvants pour le nettoyage!

Un encrassement excessif peut déséquilibrer le rotor du ventilateur et provoquer une augmentation du bruit lors du fonctionnement du dispositif. Le bruit peut également augmenter en raison de l'endommagement ou de la flexion des pales du ventilateur. Assurez-vous qu'aucun objet étranger ne pénètre dans la zone de fonctionnement du rotor du ventilateur.

En règle générale, le ventilateur n'a pas besoin d'être nettoyé plus d'une fois par an. Le ventilateur ne doit être nettoyé que par une personne qualifiée.

L'utilisation d'air comprimé pour nettoyer le ventilateur peut causer un dommage irréversible du rotor!

Les roulements du ventilateur n'ont pas besoin d'entretien et doivent être remplacés si un problème survient.

Assurez-vous qu'il n'y a pas d'objets étrangers dans les événements du ventilateur du dispositif. Le nettoyage du dispositif n'est pas destiné aux enfants.

Si vous utilisez des boules de sel de l'Himalaya avec le dispositif, il est recommandé de vérifier l'usure des boules de sel une fois par an (voir les Figures 1D et 2C).



Si le diamètre des boules diminue de plus de la moitié, de nouvelles boules de sel doivent être installées. Pour remplacer les boules, retirez le récipient des boules de sel du dispositif et lavez-le à l'eau courante pour éliminer tout résidu de sel. Remettez le récipient en place et placez les nouvelles boules de sel dans leurs cavités.

En cas de dysfonctionnement du ventilateur et de l'éclairage du dispositif, l'utilisation du dispositif doit être immédiatement arrêtée et le dispositif doit être inspecté par une personne dûment qualifiée.

CONDITIONS GÉNÉRALES DE GARANTIE DES PRODUITS SAUNUM

La garantie pour les dispositifs Saunum garantit que le produit est exempt de défauts de matériaux et dans l'assemblage pendant une période déterminée après la date d'achat. Si, pendant la période de garantie, le dispositif s'avère défectueux en raison de l'utilisation de matériaux non conformes ou de la qualité de l'assemblage, les partenaires de réparation recommandés par Saunum répareront ou remplaceront le dispositif ou la partie défectueuse de celui-ci sans frais de main-d'œuvre et de pièces de rechange dans les conditions énoncées ci-dessous. Saunum se réserve le droit de décider de remplacer le composant défectueux du produit ou de remplacer le dispositif par un nouveau. Les composants défectueux du produit remplacés restent la propriété de Saunum.

Conditions de garantie :

1. la garantie n'est valable que si un rapport d'installation complet est soumis avec la réclamation;
2. la période de garantie du dispositif lorsqu'il est utilisé dans un sauna privé est de deux (2) ans;
3. une garantie d'un (1) an protège le système lorsque celui-ci est utilisé dans un sauna public.



La garantie ne couvre pas :

1. l'entretien et le nettoyage de routine du dispositif et le remplacement des composants en raison de l'usure normale;
2. l'adaptation ou la modification du dispositif à des fins autres que celles spécifiées dans les instructions pour l'utilisation;
3. les risques liés au transport;
4. les dommages résultant d'une installation incorrecte du dispositif;
5. les dommages résultant d'une installation fautive de l'appareil;
6. les réparations du dispositif qui ne sont pas effectuées par un partenaire de réparation recommandé par Saunum (partenaire d'entretien);
7. les accidents, la foudre, l'eau, le feu, une mauvaise ventilation ou tout autre facteur indépendant de la volonté de Saunum;
8. les pannes causées par l'utilisation de boules de sel non recommandées par Saunum;
9. les boules de sel.

La liste des installateurs et prestataires de services d'entretien recommandés par Saunum Saunas OÜ est disponible sur www.saunum.com ou en nous contactant à info@saunum.com.

Les instructions d'entretien du dispositif sont données dans les instructions d'utilisation du dispositif.

N. B.! Le dispositif de climatisation pour sauna ne peut être raccordé au réseau électrique que par un électricien professionnel, conformément à la réglementation en vigueur.

Lisez attentivement et entièrement les instructions d'utilisation avant d'utiliser le dispositif et conservez-les dans un endroit spécifique et facilement accessible pour pouvoir les consulter ultérieurement.



INSTALLATION

N. B.! Lisez les informations de sécurité avant de commencer les travaux d'installation (voir p. 6-7)!

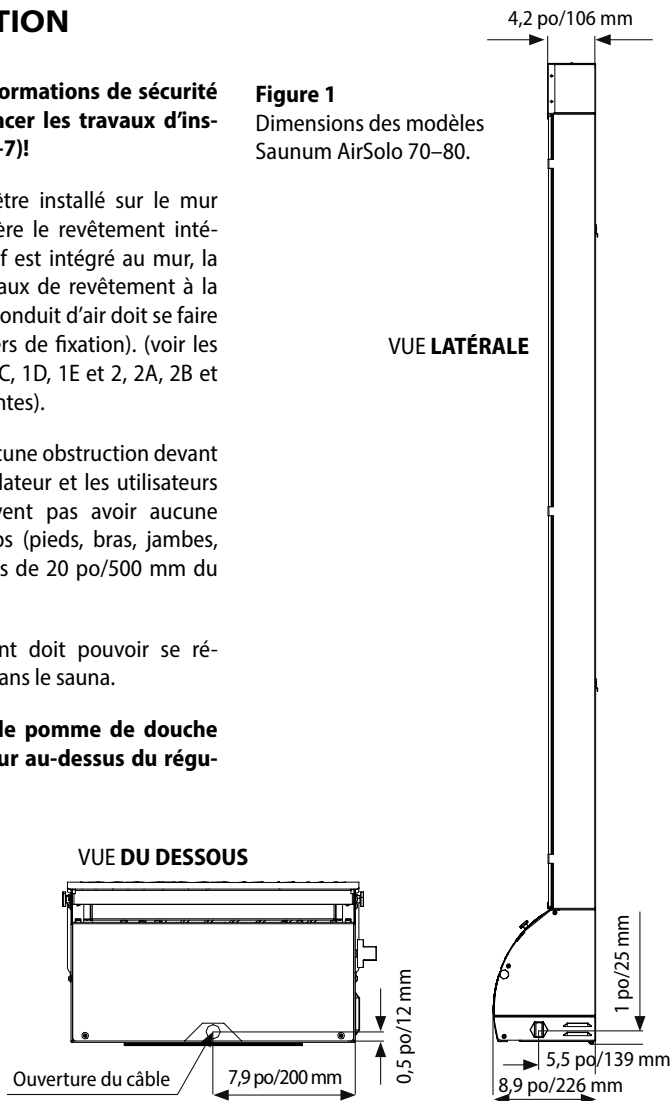
Le dispositif doit être installé sur le mur du sauna ou derrière le revêtement intérieur (si le dispositif est intégré au mur, la fixation des panneaux de revêtement à la surface en tôle du conduit d'air doit se faire au moyen de colliers de fixation). (voir les Figures 1, 1A, 1B, 1C, 1D, 1E et 2, 2A, 2B et 2C aux pages suivantes).

Il ne doit y avoir aucune obstruction devant la bouche du ventilateur et les utilisateurs du sauna ne doivent pas avoir aucune partie de leur corps (pieds, bras, jambes, mains, etc.) à moins de 20 po/500 mm du ventilateur.

Le flux d'air sortant doit pouvoir se répandre librement dans le sauna.

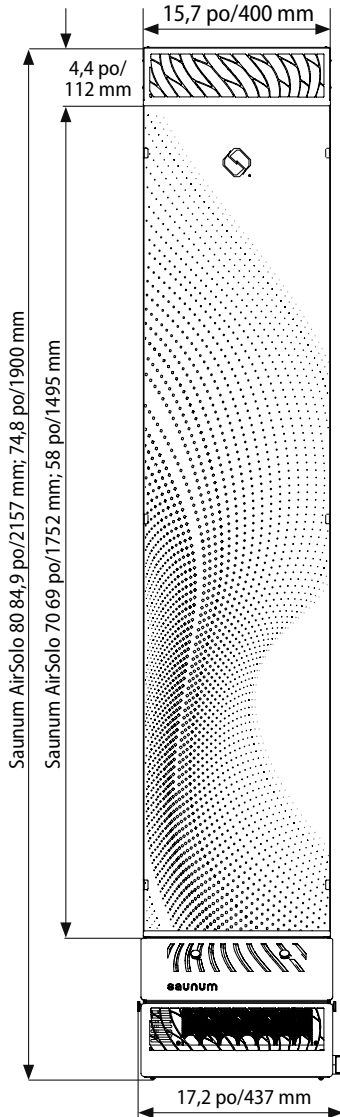
Ne pas installer de pomme de douche ou de pulvérisateur au-dessus du régulateur!

Figure 1
Dimensions des modèles Saunum AirSolo 70–80.





VUE FRONTALE



VUE ARRIÈRE

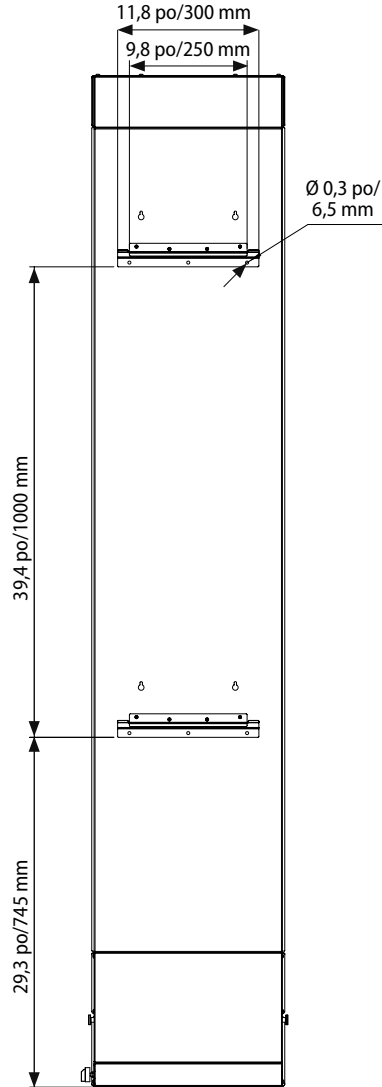




Figure 1A – Distances d'installation du modèle Saunum AirSolo 70/80.

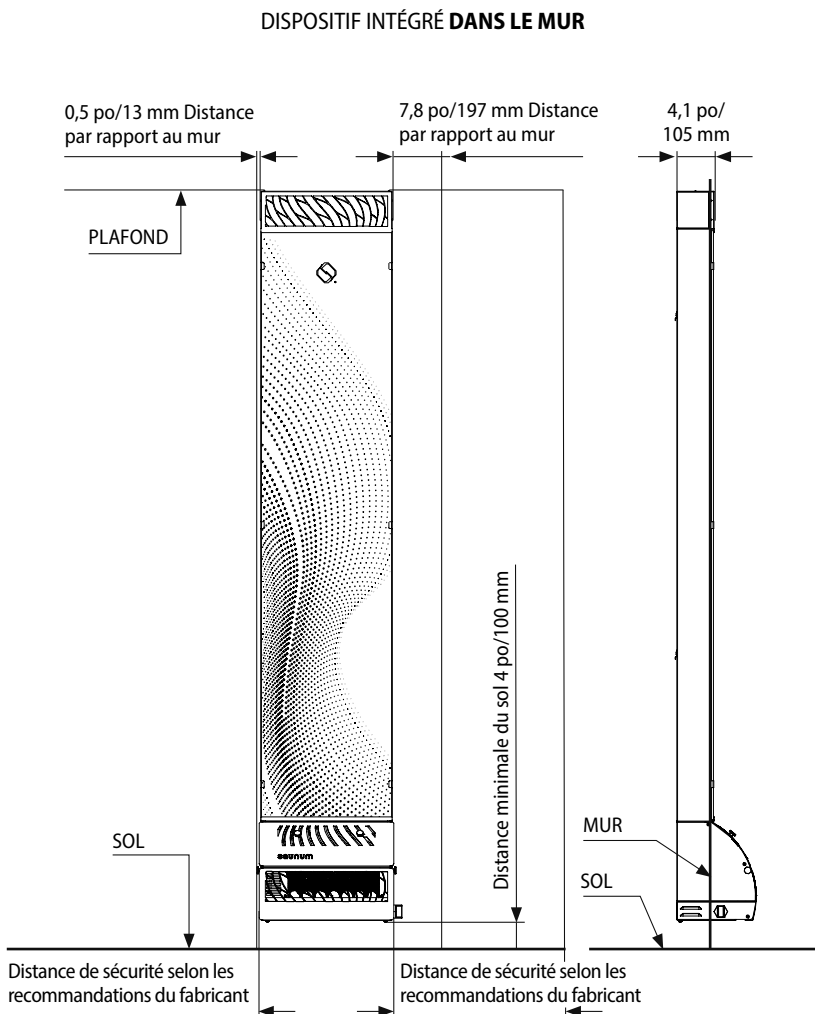




Figure 1B – Distances d'installation du modèle Saunum AirSolo 70/80.

DISPOSITIF À MONTAGE MURAL

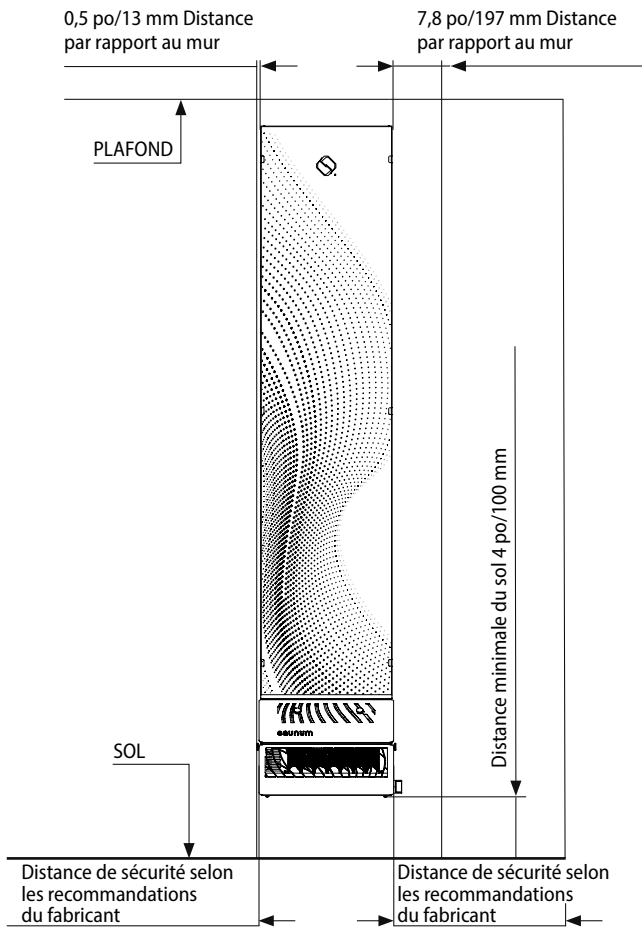
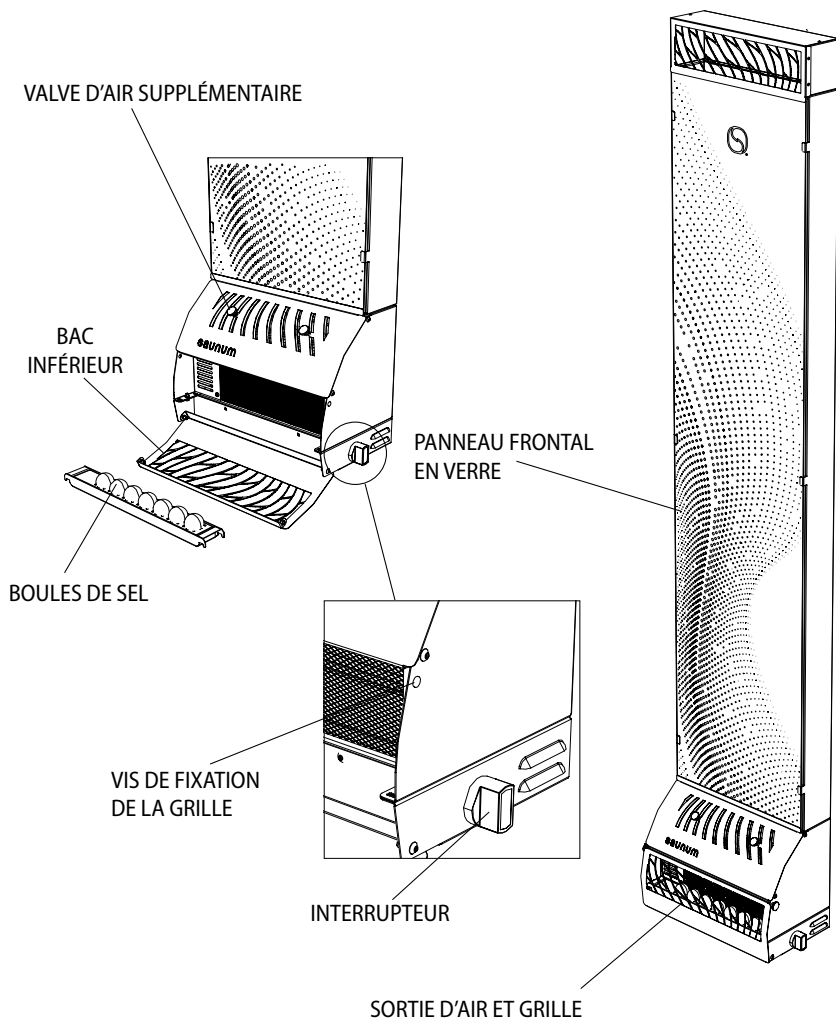




Figure 1C – Composants du dispositif Saunum AirSolo 70/80.





Le dispositif fonctionne le plus efficacement lorsque le bord de la prise d'air supérieure est opposé au plafond du sauna (dans le cas d'un modèle équipé d'une grille de protection). Si le dispositif n'est pas équipé d'une grille de protection supérieure, il doit être installé de manière que le bord supérieur reste à 3–4 po/80-100 mm en dessous du plafond. Le bord inférieur ne doit pas être à moins de 4 po/100 mm du sol pour éviter que l'eau présente sur le sol ne pénètre dans les connexions électriques du dispositif.

Le dispositif est conçu pour être installé au mur à l'aide des barres de suspension incluses dans l'ensemble. Le mur du point d'installation doit pouvoir supporter le poids du dispositif (au moins 77 lb/35 kg) et doit permettre la fixation des barres de suspension incluses dans l'ensemble avec des vis. Les barres de suspension doivent être fixées au mur du sauna à l'aide d'au moins deux vis chacune. Le dispositif doit être ensuite soulevé vers le mur de sorte que les barres supérieure et inférieure glissent entre les barres situées à l'arrière du dispositif.

Figure 1D – Installation du modèle Saunum AirSolo 70/80

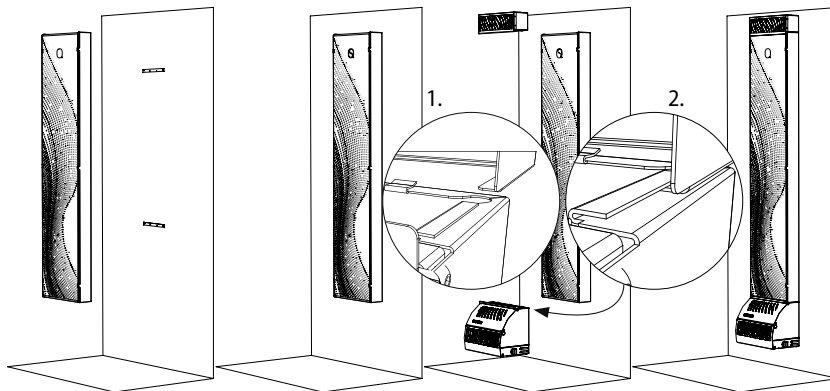
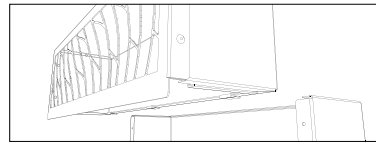
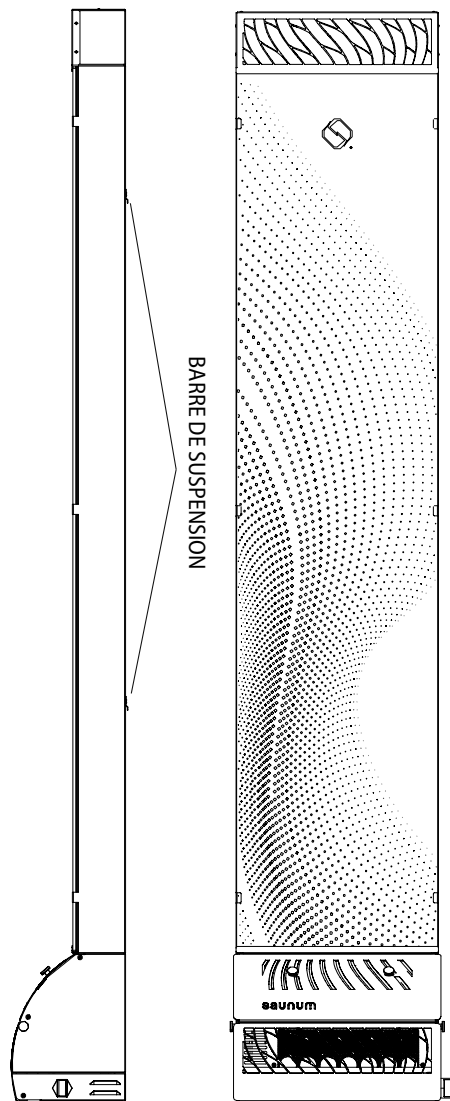




Figure 1E – Installation suggérée du modèle Saunum AirSolo 70/80 avec barres de suspension.

1. Installez les barres de suspension fournies avec le dispositif sur le mur. Utilisez des ancrages au besoin.
2. Accrochez le dispositif sur les barres de suspension murale. Veillez à ce que les œillets situés à l'arrière du dispositif reposent également sur les deux barres de suspension (si nécessaire, utilisez un niveau à bulle pour vous assurer que le dispositif est de niveau). (Si nécessaire, utilisez un niveau à bulle pour vous assurer que le dispositif est de niveau).
3. Vérifiez que le dispositif ne présente pas de dommages extérieurs. **N'utilisez pas le dispositif s'il est endommagé!**





4. Installer les boules de sel. Les boules de sel doivent être placées dans le dispositif après son installation au mur. Pour installer les boules, ouvrez la grille inférieure en retirant les deux vis amovibles manuellement et placez les boules dans leurs cavités sur le bac à boules.

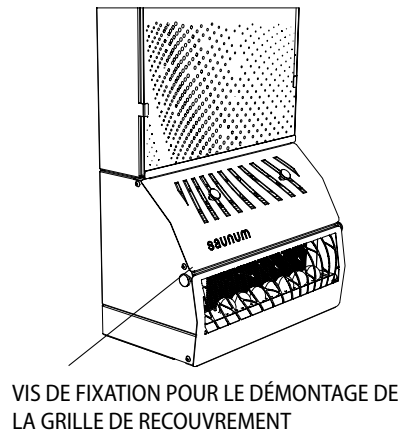
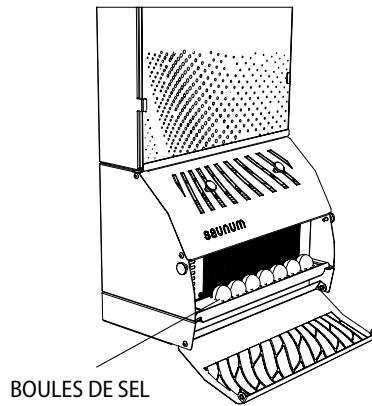
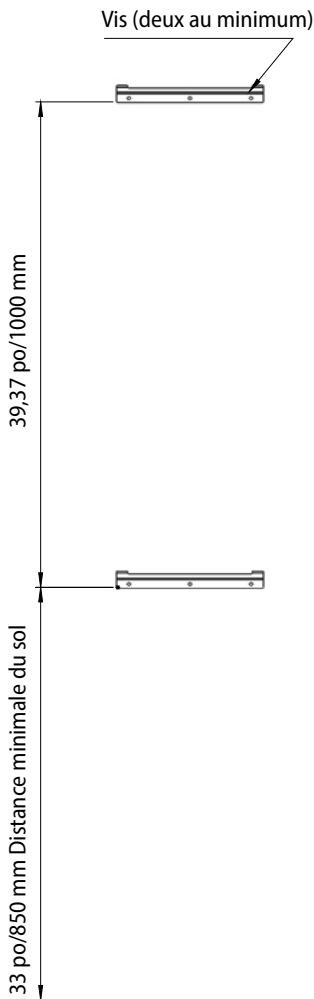
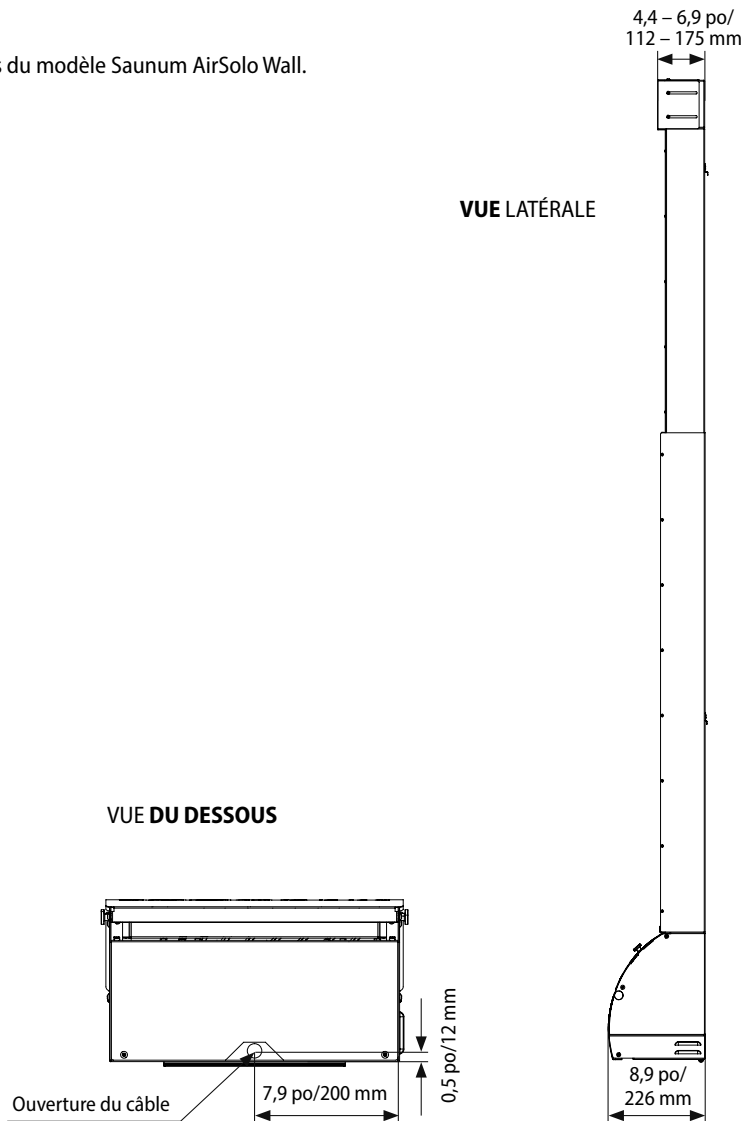


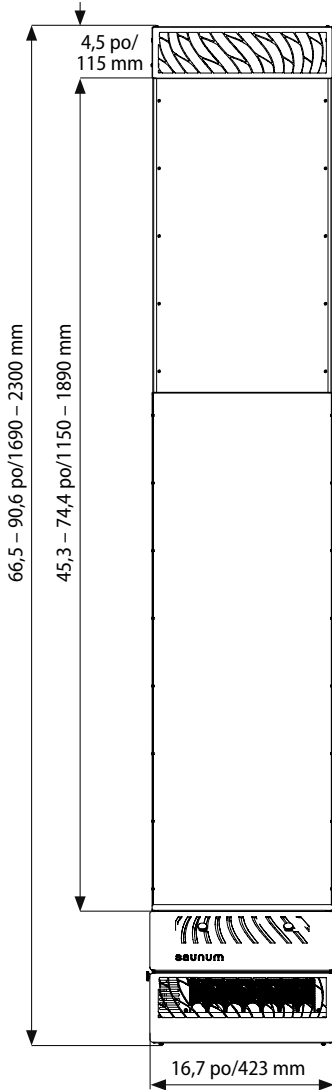


Figure 2
Dimensions du modèle Saunum AirSolo Wall.





VUE FRONTALE



VUE ARRIÈRE

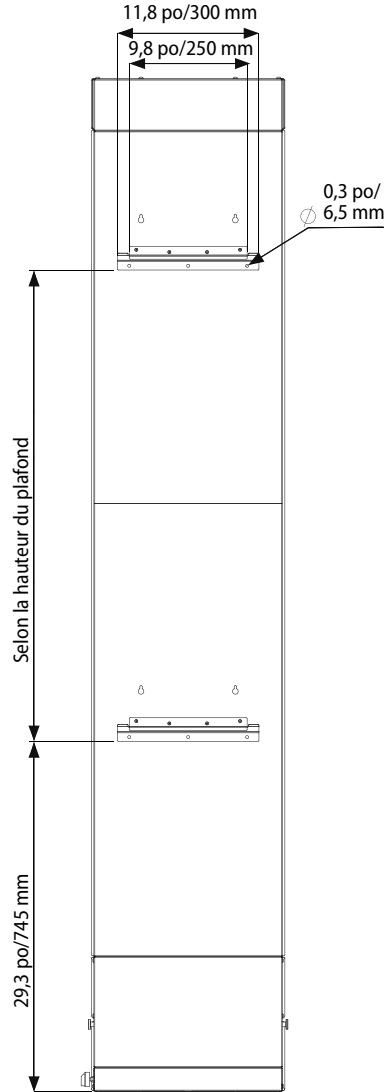




Figure 2A – Distances d'installation du modèle Saunum AirSolo Wall.

DISPOSITIF INTÉGRÉ DANS LE MUR

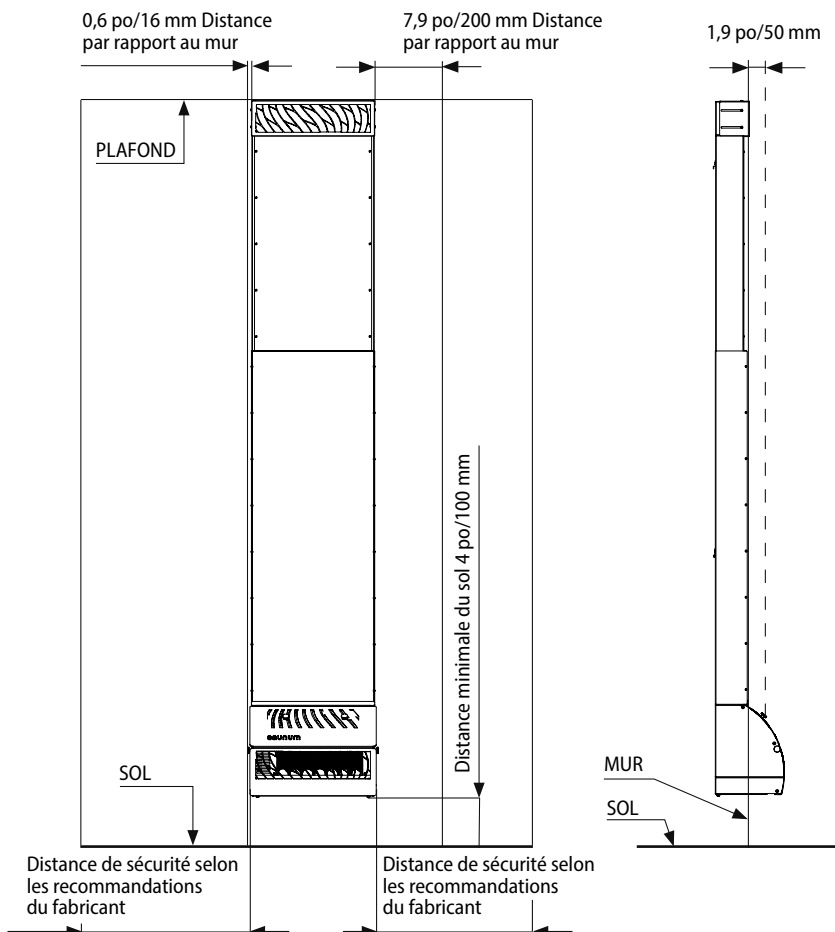




Figure 2B – Composants du modèle Saunum AirSolo Wall.

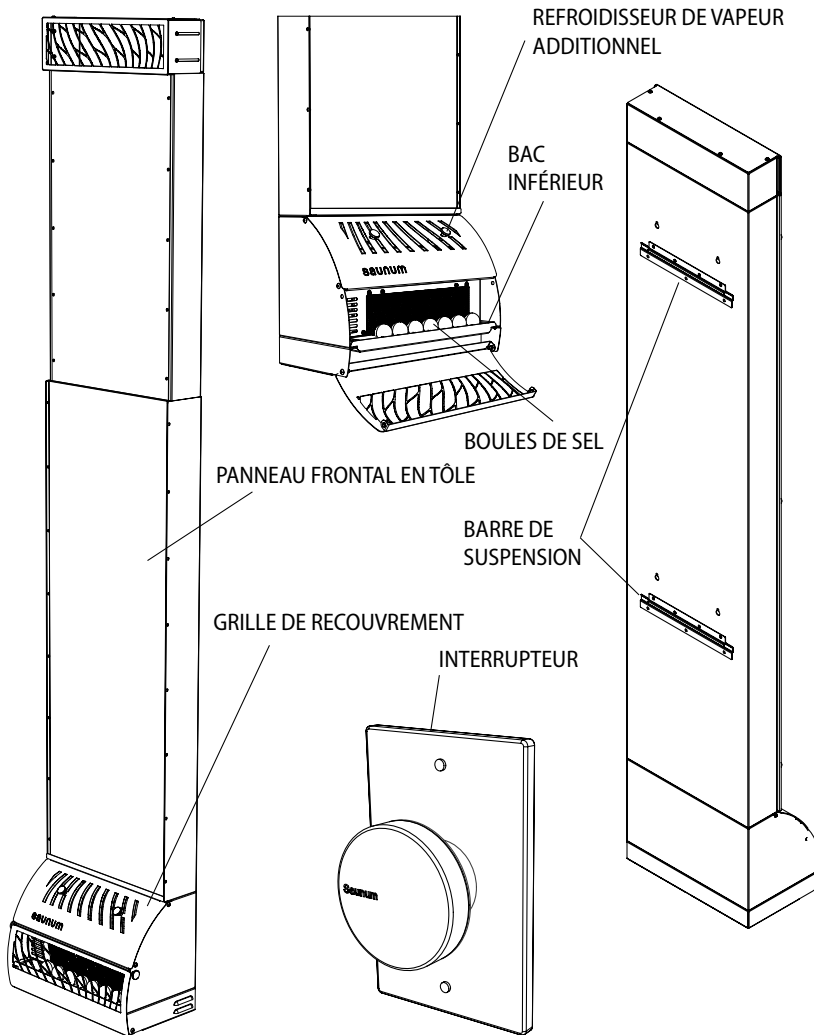
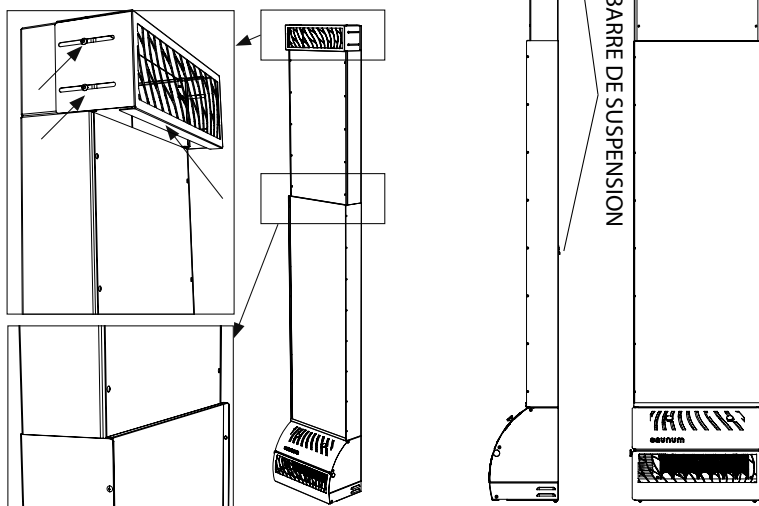
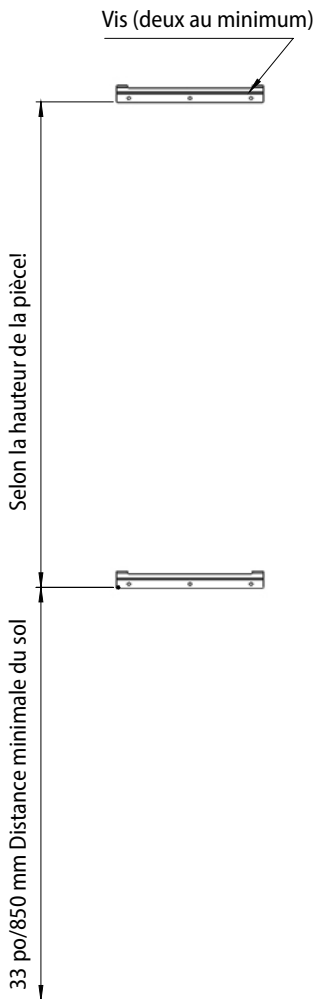




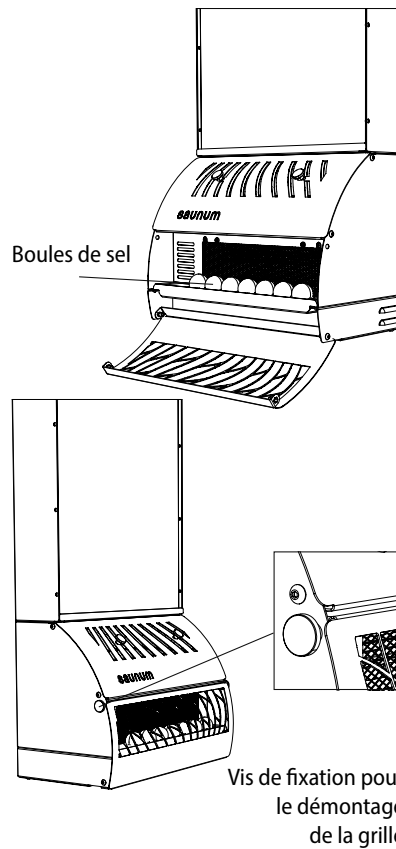
Figure 2C – Installation suggérée du modèle AirSolo Wall avec barres de suspension.

1. Installez les barres de suspension fournies avec le dispositif sur le mur. Utilisez des ancrages au besoin.
2. Accrochez le dispositif sur les barres de suspension murale. Veillez à ce que les œillets situés à l'arrière du dispositif reposent également sur les deux barres de suspension (si nécessaire, utilisez un niveau à bulle pour vous assurer que le dispositif est de niveau). (Si nécessaire, utilisez un niveau à bulle pour vous assurer que le dispositif est de niveau).
3. Vérifiez que le dispositif ne présente pas de dommages extérieurs. N'utilisez pas le dispositif s'il est endommagé!
4. Avant d'utiliser le dispositif, veuillez couvrir toutes les ouvertures non couvertes à l'aide du ruban adhésif en aluminium indiqué.





5. Installez les boules de sel. Les boules de sel doivent être placées dans le dispositif après son installation au mur. Pour placer les boules, ouvrez la grille inférieure en retirant les deux vis, et placez les boules dans leurs cavités sur le bac à boules.





BRANCHEMENTS ÉLECTRIQUES

ATTENTION! Le branchement électrique de l'appareil doit être effectué par un électricien qualifié, dans le respect des normes et des règles en vigueur.

Le dispositif doit être connecté en permanence à l'aide d'un câble adapté aux conditions de température de l'environnement avec une borne à vis, conformément aux schémas de raccordement électrique fournis dans ces instructions (Figures 3, 3A, 4, 5 et 6 aux pages suivantes).

Le diamètre extérieur du câble ne doit pas dépasser 0,4 po/10 mm. La protection de mise à la terre doit être connectée à la borne de raccordement du dispositif avec des conducteurs d'au moins 16 AWG. Le dispositif doit être alimenté par un circuit d'alimentation de 120 V c.a./ 0,31 A 60 Hz protégé par un fusible de surintensité 1A. En outre, le circuit d'alimentation du dispositif doit être équipé d'un interrupteur à courant différentiel afin de garantir la sécurité des personnes présentes dans le sauna.

L'éclairage du dispositif doit être relié à un système de contrôle avec un interrupteur externe ou à un système de contrôle avec un interrupteur interne. Le circuit d'alimentation de l'interrupteur externe d'éclairage doit également être équipé d'un interrupteur à courant différentiel et de fusibles de surintensité.

Les circuits d'éclairage et de ventilation du dispositif doivent être raccordés à des interrupteurs externes, dont les circuits d'alimentation doivent être équipés d'un interrupteur à courant différentiel et de fusibles de surintensité. Le câble d'alimentation doit entrer dans le boîtier du dispositif verticalement, par le bas, afin d'éviter que de l'eau ne pénètre dans le boîtier du dispositif le long du câble. Le câble ne peut être dénudé de son isolation externe que sur la partie destinée à se situer à l'intérieur du boîtier du dispositif.

Connexion uniquement pour un dispositif avec éclairage avec un interrupteur externe!

N. B.! Effectuez les branchements électriques selon les instructions données dans le schéma de câblage du dispositif.

N. B.! Le circuit doit comporter un interrupteur à courant différentiel et des fusibles de surintensité!

N. B.! Ne peut être connecté qu'à travers un interrupteur à courant différentiel et des fusibles de surintensité!

Le câble d'alimentation utilisé doit être conçu pour une installation électrique permanente et doit répondre aux exigences relatives à l'installation électrique dans les



saunas. La section de la rainure du câble d'alimentation doit être comprise entre 14 et 16 AWG.

Le câble d'alimentation doit être inséré dans l'ouverture située au bas du dispositif, comme indiqué dans les instructions d'installation.

Le câble d'alimentation ne doit pas être laissé sur le sol du sauna.

N. B.! Le circuit doit comporter un interrupteur à courant différentiel et des fusibles de surintensité!

Alimentation électrique du ventilateur.

N. B.! Le circuit doit comporter un interrupteur à courant différentiel et des fusibles de surintensité!

N. B.! Effectuez les branchements électriques selon les instructions données dans le schéma de câblage du dispositif.

Figure 4 – Connexion du câble d'alimentation sur un dispositif équipé d'un interrupteur externe de vitesse du ventilateur.

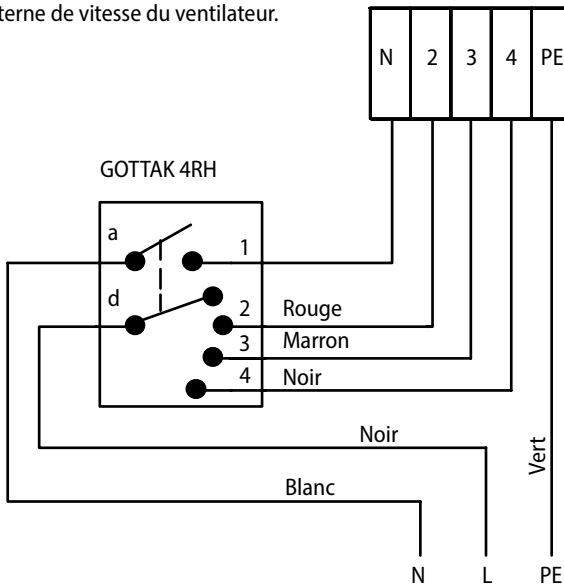
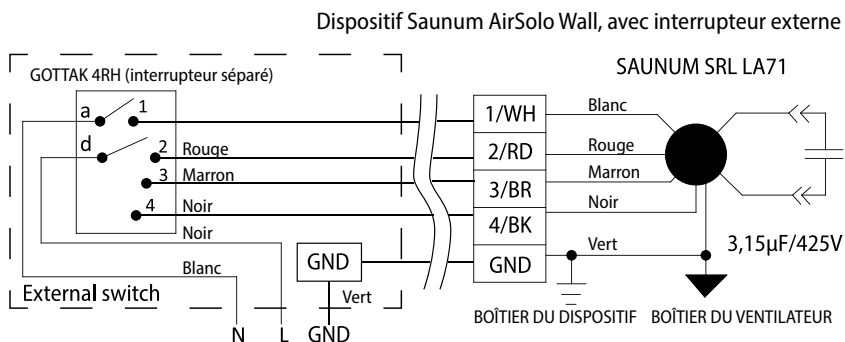
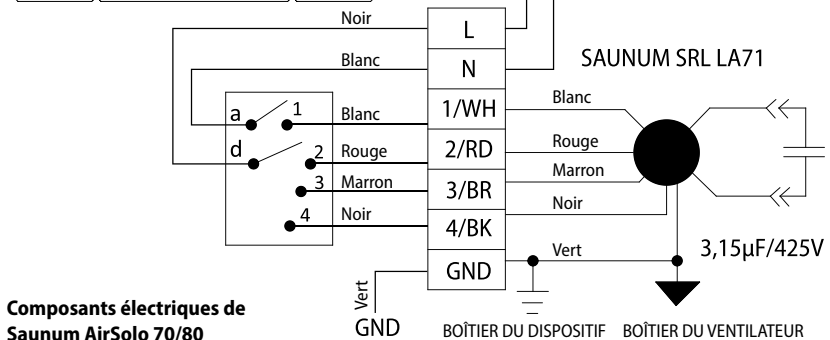
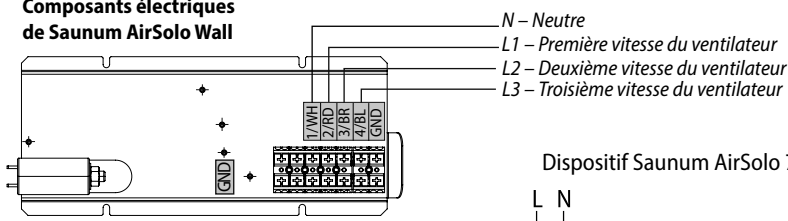




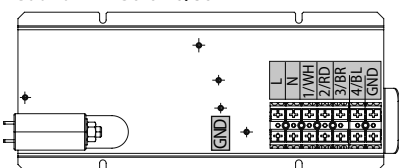
Figure 5 – Schéma de câblage et composants électriques.



Composants électriques de Saunum AirSolo Wall



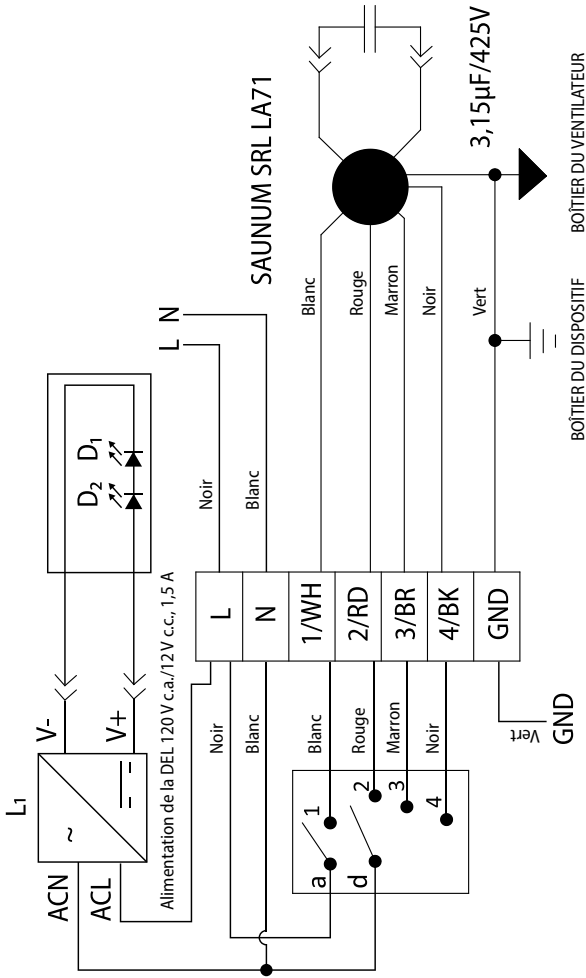
Composants électriques de Saunum AirSolo 70/80



PUISSANCE/VITESSE

BORNE D'ENTRÉE D'ALIMENTATION DU VENTILATEUR 120 V c.a./0,31 A
N. B. ! CONNEXION AUTORISÉE UNIQUEMENT À L'AIDE D'UN APPAREIL DE PROTECTION AUTOMATIQUE

Figure 6 – Schéma de câblage : Dispositif, avec éclairage et avec interrupteur.



PUISSANCE D'ALIMENTATION POUR LES LUMIÈRES
120 V c.a./0,31 A

PUISSANCE/VITESSE

BORNE D'ENTRÉE D'ALIMENTATION DU VENTILATEUR 120 V c.a./0,31 A
N.B. I NE PEUT ÊTRE CONNECTÉ QU'À TRAVERS
UN DISPOSITIF DE PROTECTION AUTOMATIQUE!







COMPTE RENDU **D'INSTALLATION**

Date d'achat : _____ :

Type d'élément chauffant : _____

Étiquette/Numéro de série :

Lieu d'installation : _____

Date d'installation : _____

Installé par : _____

Vérifié par : _____

Date, signature : _____

Description des travaux effectués : _____

Toutes les parties sont disponibles pour l'installation _____

Il n'y a pas de défauts de couleur ou de bosses _____

Fixé au mur ou sur un support, conformément aux instructions _____

Les raccordements électriques sont effectués conformément aux instructions pour l'installation _____

Les trois vitesses du ventilateur sont en service / dans le bon ordre _____

REMARQUES : _____

Coordonnées du client (nom, courriel) : _____

Réception des travaux : _____

Date de début de la garantie : _____

À REMPLIR PAR LE CLIENT

FRE

INSTRUCTIONS D'UTILISATION ET D'INSTALLATION



Fabricant : Saunum Saunas OÜ
Adresse : Suur-Paala 19
11415 Tallinn, Estonie

certifie que le produit :

Indoor climate unit in the sauna sauna room

complies with the requirements:

UL 875, Electric Dry-Bath Heaters, Edition 9, Revision Date 01/04/2021;
CSA C22.2 No. 164, Electric Sauna Heating Equipment, Edition 2,
Issue Date 02/2018.

These products do not contain hazardous substances in excess of 0.1% (SVHC)
and meet the requirements of the REACH Regulation (1907/2006/EU REACH XVII)
and comply with the requirements of the RoHS Directive (2011/65/EU, RoHS2
and 2015/863/EU, RoHS3)